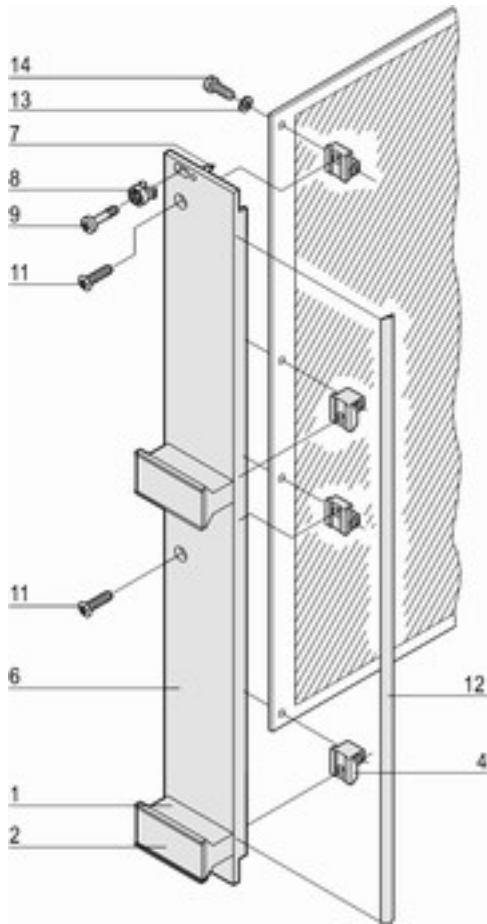


Plug-in unit with handle, shielded
[Print page](#)

6 U


Article number: 20848-674

- Handle without extraction function
- Front panel shielded


Delivery comprises: kit

Item	Qty	Description
1	2	Plastic handle, trapeziform, PPE, grey
2	2	Identification plate, Al, 1.5 mm, anodised, cut edges plain
4	4	Printed board bracket, Zn die-cast
6	1	U front panel for trapeziform handle, front anodised, rear iridescent green chromated
7	2	Alignment pin, pressed-in, stainless steel
8	2	Sleeve, PA, grey, up to 7 HP front panel width
8	4	Sleeve, PA, grey, from 8 HP front panel width
9	2	Pozidrive/slotted collar screw, St, nickel-plated, M2.5 x 11 and 12.3, up to 7 HP front panel width
9	4	Pozidrive/slotted collar screw, St, nickel-plated, M2.5 x 11 and 12.3, from 8 HP front panel width
11	2	Raised countersunk screw, St, nickel-plated, M2.5 x 8
12	1	EMC textile seal
13	4	Washer, A2.7 DIN 125
14	4	Flathead screw, St, nickel-plated, M2.5 x 10
15	2	Hexagon nut, St, nickel-plated, M2.5
16	2	Flathead screw, St, nickel-plated, M2.5 x 12
17	2	Flathead screw, St, nickel-plated, M2.5 x 16

Technical data:

Height	Width
6 U	6 HP

Further Information:

	User Manual User Manual User Manual
---	---