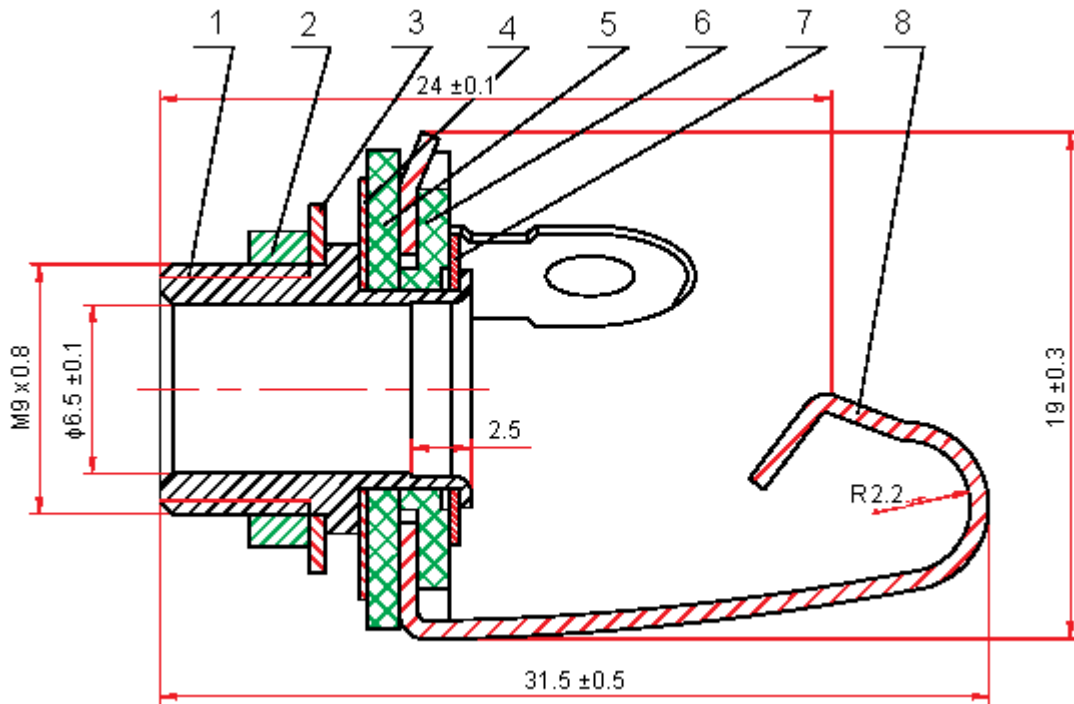


ECN #	REV	DESCRIPTION	DRAWN	DATE	CHECKD	DATE	APPRVD	DATE
-	A	RELEASED	Ramya	11/8/09	Geetha	11/8/09	Farnell	25/8/09



Dimensions: Millimetres

The terminal plating nickel, thickness 1µm (SOLDER).

Specifications

Item	Description	Material	Plating	Part Number
1	Body	H59-1	Nickel	SJ211
2	Nut	H59-1		
3	Washer	A3		
4	Shell Metal	H59-1		

This data sheet and its contents (the "Information") belong to the Premier Farnell Group (the "Group") or are licensed to it. No licence is granted for the use of it other than for information purposes in connection with the products to which it relates. No licence of any intellectual property rights is granted. The Information is subject to change without notice and replaces all data sheets previously supplied. The Information supplied is believed to be accurate but the Group assumes no responsibility for its accuracy or completeness, any error in or omission from it or for any use made of it. Users of this data sheet should check for themselves the Information and the suitability of the products for their purpose and not make any assumptions based on information included or omitted. Liability for loss or damage resulting from any reliance on the Information or use of it (including liability resulting from negligence or where the Group was aware of the possibility of such loss or damage arising) is excluded. This will not operate to limit or restrict the Group's liability for death or personal injury resulting from its negligence. SPC MULTICOMP is the registered trademark of the Group. © Premier Farnell plc 2009.

TOLERANCES:

UNLESS OTHERWISE SPECIFIED, DIMENSIONS ARE FOR REFERENCE PURPOSES ONLY.

DRAWN BY:	DATE:
Ramya	11/08/09
CHECKED BY:	DATE:
Geetha	11/08/09
APPROVED BY:	DATE:
Farnell	25/08/09

DRAWING TITLE:

6.3mm Jack - Mono, Open Circuit, 2 Conductors

SIZE A	DWG NO. M10002307	ELECTRONIC FILE 1715985-TDS_DWG	REV A
SCALE: NTS	U.O.M.: mm	SHEET: 1 OF 2	



PART NO.

SJ211

REVISIONS

ECN #	REV	DESCRIPTION	DRAWN	DATE	CHECKD	DATE	APPRVD	DATE
-	A	RELEASED	Ramya	11/8/09	Geetha	11/8/09	Farnell	25/8/09

Specifications

Item	Description	Material	Plating	Part Number
5	Bakelite	-	-	SJ211
6		-	-	
7	Terminal (Small)	H62	Nickel	
8	Terminal (Big)	Phosphor Bronze		

<http://www.farnell.com>

<http://www.newark.com>

<http://www.cpc.co.uk>

This data sheet and its contents (the "Information") belong to the Premier Farnell Group (the "Group") or are licensed to it. No licence is granted for the use of it other than for information purposes in connection with the products to which it relates. No licence of any intellectual property rights is granted. The Information is subject to change without notice and replaces all data sheets previously supplied. The Information supplied is believed to be accurate but the Group assumes no responsibility for its accuracy or completeness, any error in or omission from it or for any use made of it. Users of this data sheet should check for themselves the Information and the suitability of the products for their purpose and not make any assumptions based on information included or omitted. Liability for loss or damage resulting from any reliance on the Information or use of it (including liability resulting from negligence or where the Group was aware of the possibility of such loss or damage arising) is excluded. This will not operate to limit or restrict the Group's liability for death or personal injury resulting from its negligence. SPC MULTICOMP is the registered trademark of the Group. © Premier Farnell plc 2009.

TOLERANCES:

UNLESS OTHERWISE SPECIFIED, DIMENSIONS ARE FOR REFERENCE PURPOSES ONLY.

DRAWN BY:	DATE:
Ramya	11/08/09
CHECKED BY:	DATE:
Geetha	11/08/09
APPROVED BY:	DATE:
Farnell	25/08/09

DRAWING TITLE:

6.3mm Jack - Mono, Open Circuit, 2 Conductors

SIZE A	DWG NO. M10002307	ELECTRONIC FILE 1715985-TDS_DWG	REV A
SCALE: NTS	U.O.M.: mm	SHEET: 2 OF 2	