

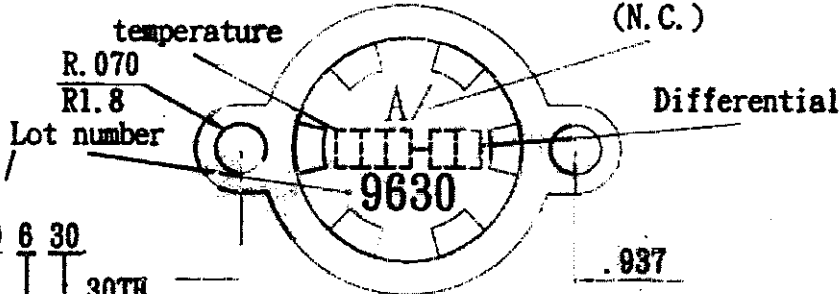
	PARTS NAME	MATERIAL	UL FLAME GRADE
1	Sensing cup	Aluminum	
2	Actuating pin	Ceramic	
3	Bimetal disc	Bimetal	
4	Retainer	Phenolic or pps	94V-0
5	Stationary arm	Brass tin pltd	
6	Solder	Tin	
7	Glue	Epoxy	
8	Terminal	Brass or steel tin pltd	
9	Movable arm	Beryllium copper	
10	Terminal-A	Brass tin pltd	
11	Case	Phenolic or pps	94V-0
12	Contact-R	Silver alloy	
13	Contact-F	Silver alloy	
14	Bracket	Steel	

SPECIFICATIONS

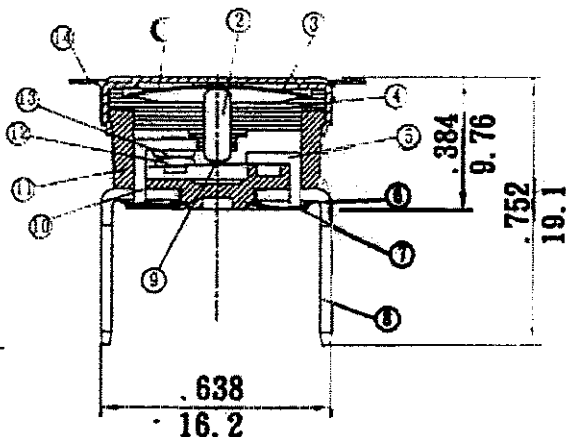
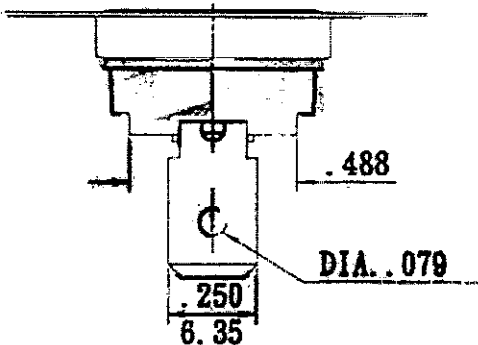
- * NORMALLY CLOSE TYPE
- * OPEN : 100 ± 3 °C
- * CLOSE: 85 ± 4 °C
- * TERMINAL SIZE .250" QUICK CONNECT
- * AGENCY APPROVALS: UL CUL VDE SEMKO
DEMKO FIMKO NEMKO
- * 15A 125VAC 10A 250VAC(Resistive)
- * LIFE 100K CYCLES



contact type
(N.C.)



9 6 30
30TH
LOTS
8-AUG.
9-SEPT.
0-OCT.
N-NOV.
D-DEC.
1999



INCH
MM

The size remains unchanged, but other technical modification will be made without notice.

SCALE	2:1 (mm)		TITLE	
△			3A-SR2	
△			MODEL T23A100ASR2-15	
△			MATERIAC NO.	
△			MATERIAC	
REV	DESCRIPTION	DFTG.	DATE	DRAWING NO. 150910
DFTG	<i>Chi</i>	CHKD	Jcan	MFG. <i>W Lee</i>