

THIS DRAWING IS UNPUBLISHED.
VERTRAULICHE UNVERÖFFENTLICHTE ZEICHNUNG

RELEASED FOR PUBLICATION
FREI FUER VERÖFFENTLICHUNG

MATED WITH:
PASSEND ZU:
HVS-HE.5

LOC
AI

DIST

REVISIONS
ÄNDERUNGEN

P	LTR	DESCRIPTION	BESCHREIBUNG	DATE	DWN	APVD
	A3	TEXT CORRECTED	ECR-06-013757	19.11.2004	SR	ST

© COPYRIGHT 2000

BY AMP INCORPORATED.

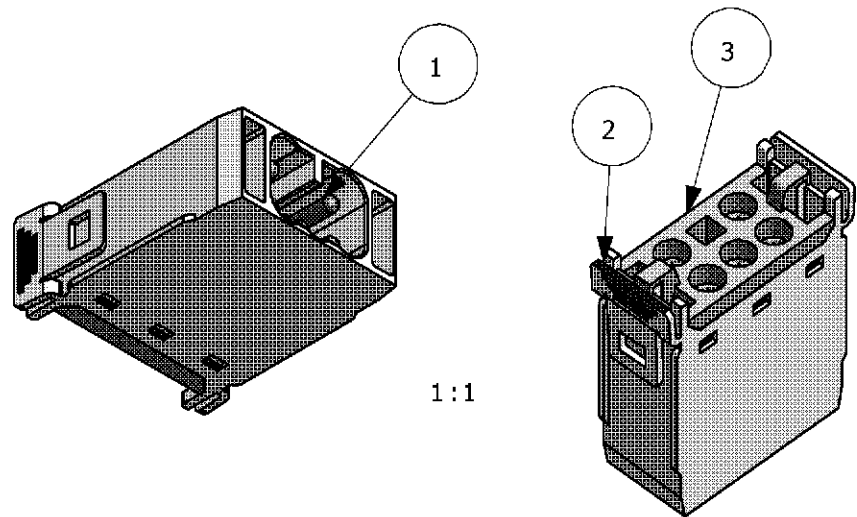
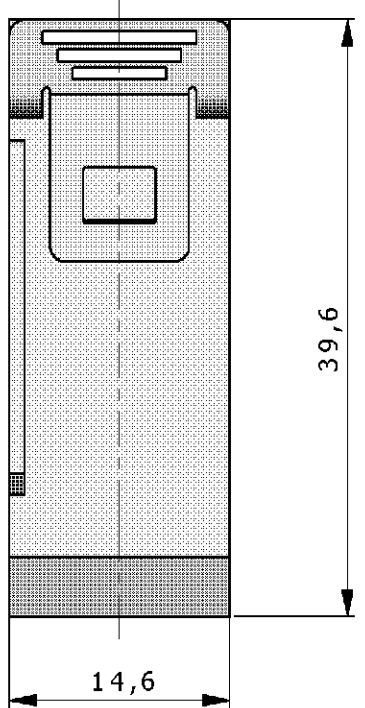
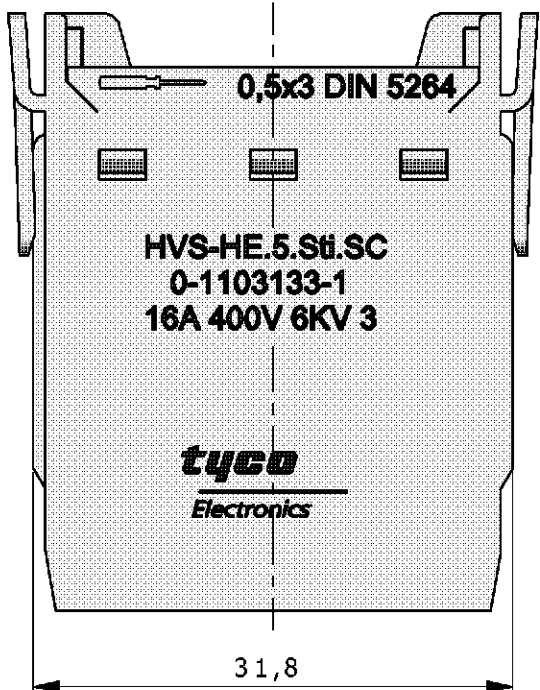
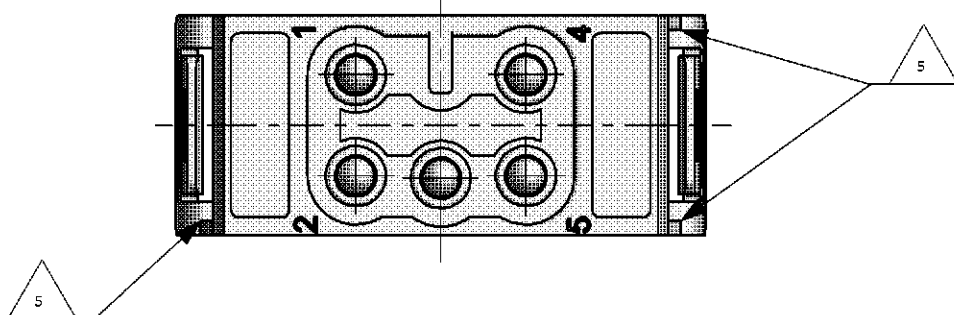
ALL RIGHTS RESERVED.
ALLE RECHTE VORBEHALTEN

PROJEKT NR.:
EGGMN04410

NOTES

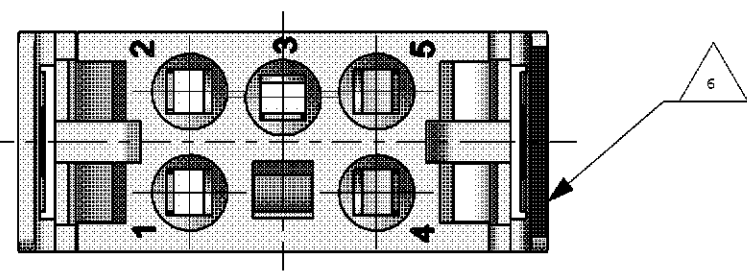
- 1 CONTACT: 1 TO 5
OUTER DIMENSIONS OF INSULATION: MAX. Ø4,9 MM
- 2 SUITABLE MODULE FIXING FRAME: SERIES HVS SIZE 3 TO 8
CUSTOMER DRAWING: 1103250
- 3 SUITABLE INSERTION AND EXTRACTION TOOL:
SCREW DRIVER 0,3x5 DIN 5264
- 4 STANDARDS:
DIN EN 61984; DIN EN 60664-1
- 5 POLARIZATION RIPS
- 6 MARKING OF POLARIZATION ACCORDING TO THE
MARKING OF MODULE FRAME
- 7 PACKAGING:
10 SETS IN A CARTON, PRE-MOUNTED

Contact arrangement
view from connecting side



0-1 as shown
Ordering text: HVS-HE.5.STI.SC

Contact arrangement
view from termination side



QTY.	DESCRIPTION	MATERIAL	SURFACE	COLOR	NOTE	ITEM
1	COVER HVS-HE.5	PBT-GF15		LIGHT-GREY		3
1	MALE INSERT HVE-HE.5	PBT-GF10		LIGHT-GREY		2
5	Pin contact spring clamp HE	BRASS	silver plated		mounted	1

PARTS LIST

<small>THIS DRAWING IS A CONTROLLED DOCUMENT FOR AMP INCORPORATED. IT IS SUBJECT TO CHANGE AND THE CONTROLLING ENGINEERING ORGANIZATION SHOULD BE CONTACTED FOR THE LATEST REVISION. DIESSES ZEICHNUNGSDOKUMENT WIRD DURCH AMP INCORPORATED KONTROLLIERT. ÄNDERUNGEN, DIE DEM TECHNISCHEN FORTSCHRITT DIENEN, SIND VORBEHALTEN. DEN JEWELIG LETZTGÜELTIGEN ÄNDERUNGSSTAND ERFAHREN SIE AUF ANFRAGE.</small>		DWN 31.05.2005 M.SCHWEIGER			Tyco / Electronics AMP GmbH D - 53819 Neunkirchen	
DIMENSIONS: DIMENSIONEN: mm		CHK 31.05.2005 T.SCHNURPFEL	NAME MALE INSERT HVS-HE.5.STI.SC			
TOLERANCES UNLESS OTHERWISE SPECIFIED: ALLGEMEIN TOLERANZEN n. ISO 8013 n. ISO 2768 - MH -E n. DIN 16901 - 140		APVD	PRODUCT SPEC PRODUKTSPEZ. 108-74071		SIZE A3	
		APPLICATION SPEC VERARBEITUNGSSPEZ. 114-74073	CAGE CODE 00779		DRAWING NO ZEICHNUNGS-NR. 1103133	
MATERIAL		WEIGHT GEWICHT 0,020 KG		RESTRICTED TO NUR FUER		
FINISH / OBERFLÄCHE / FARBE		CUSTOMER DRAWING / KUNDENZEICHNUNG		SCALE MASSSTAB 2:1		
				SHEET BLATT 1 OF VON 1 REV A3		