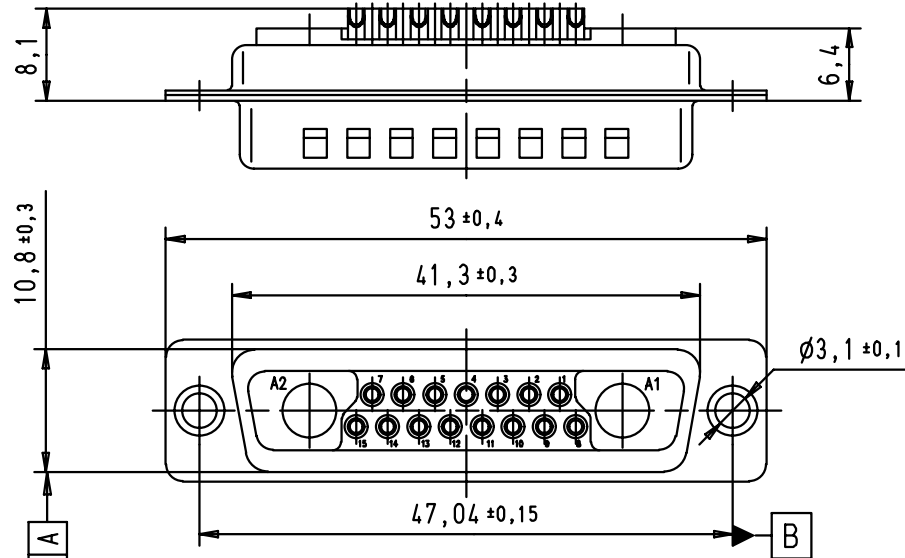




Solder bucket termination for AWG 20 (0.5 mm²)



			Detail.	13/11/01	AF	 All Dim. in mm Orig. Size DIN A 4	D-Sub, male, straight, 17W2, solder bucket, tin plated shell with dimples	Maßstab/ Scale 1,5:1
			Insp.					
			Stand.					
29742	13/11/01	AF	HARTING EURL F-95972 Paris				TB 09 69 311 5172	Blatt/ Page 1 / 1
Mod.	Dat.	Name	Sub.					