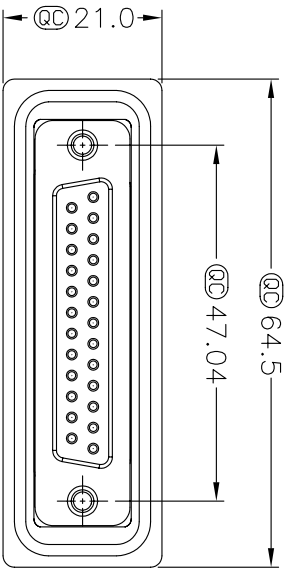
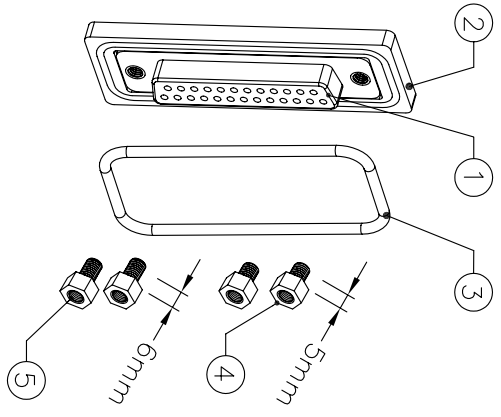
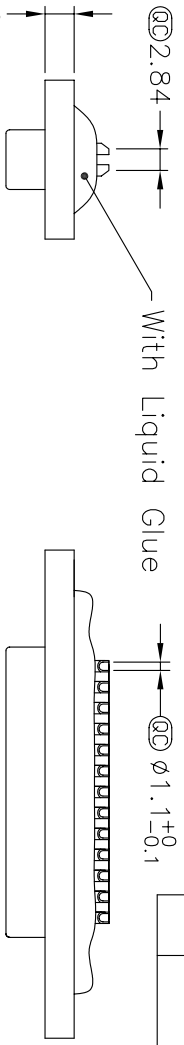


REV.	EQN. NO.	DATE	SIGN	DESCRIPTION

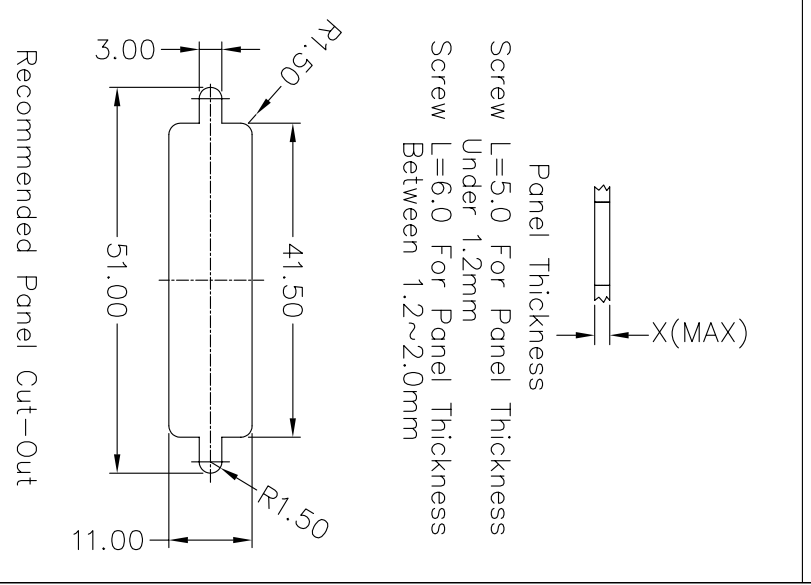


⚠ Warning! Drawings & Specifications Are Subject To Change Without Notification

LTW SDB-25PFFS-SL7001	P1	LTW SDB-25PMMS-SL7001	P1
LTW SDB-25PFFS-SL8001	P13	LTW SDB-25PMMS-SL8001	P13
P13	P1	P13	P1
P25	P14	P25	P14

Pin Assignments Front View

- Note:
- Materials
 - ① Connector : D-SUB 25Pin, Pin: Brass,Gold Flash
 - ② Plastic Jacket : Nylon+Glass Filled
 - ③ Ring : Silicone
 - ④⑤ Screw : Brass,Nickel Plated
 - ④ Important Dimension.
 - Applicable Wire Range: 22AWG-26AWG



UNIT : mm	TITLE	
TOLERANCE	D-SUB For Panel Mount, 25Pin, Solder Type 180°	
SCALE	1:1	SHEET 1 of 1
REV.	A	SIZE A4
ANGLES	④ : Inspection Item	

亮泰企業股份有限公司
LTW

ITEM NO	DRAWN BY	DATE
DWG NO		
CUSTOMER	Ju Xiao Fang	2004/07/16
	CHECKED BY	DATE
	APPROVED BY	DATE