

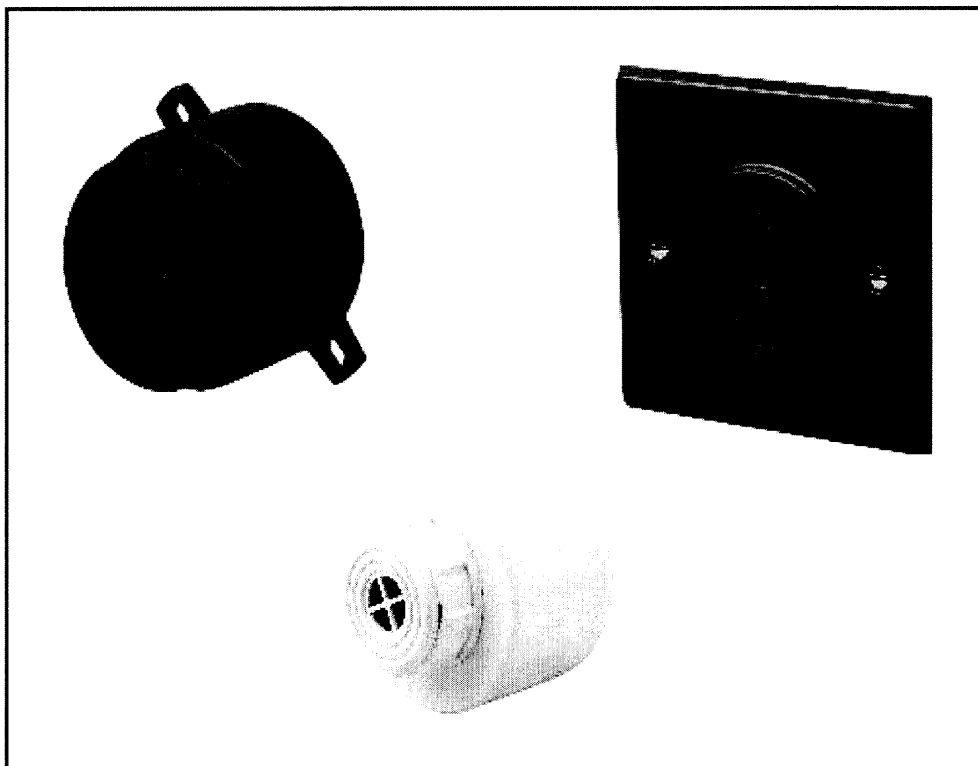
Fulleon

◀ Back to Contents

DATASHEETS

Askari

Electronic Sounders



The Askari range of electronic sounders has been developed to provide alarm signals for a wide variety of fire, commercial and industrial signalling applications.

Designed for reliability in operation, three different models are available: the Askari Compact sounder for use in hotel bedrooms and other areas where unobtrusive installation is important; the Askari Panel, for panel mounting and use in industrial instrumentation and control centre applications; the Askari Flange, for surface mounting within cabinets and machines for industrial control, transport and vending machine applications.

- **28 SIGNAL TONES AVAILABLE**
- **12V DC & 24V DC OPERATION IN SAME SOUNDER NO ADJUSTMENT REQUIRED**
- **HIGH SOUND OUTPUT WITH LOW CURRENT CONSUMPTION**
- **AUTOMATIC SYNCHRONISED PHASED START**
- **ENCAPSULATED ELECTRONICS**

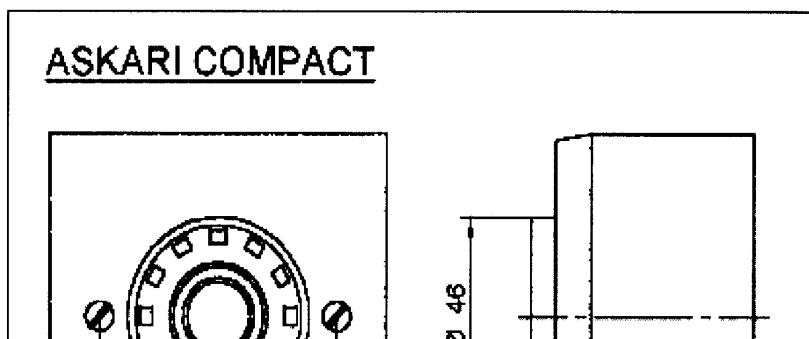
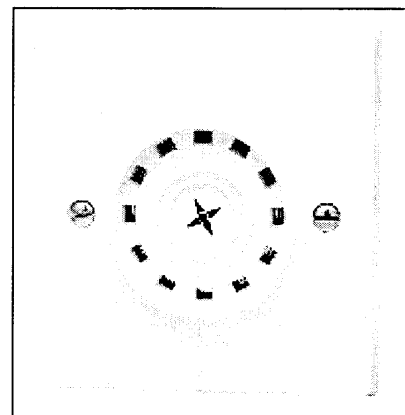
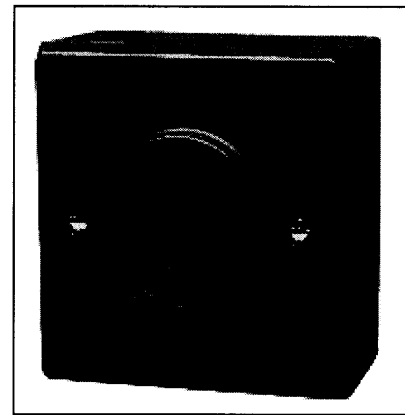
- AVAILABLE IN RED OR WHITE ABS MOULDING
- VERSIONS APPROVED TO CNPP REQUIREMENTS

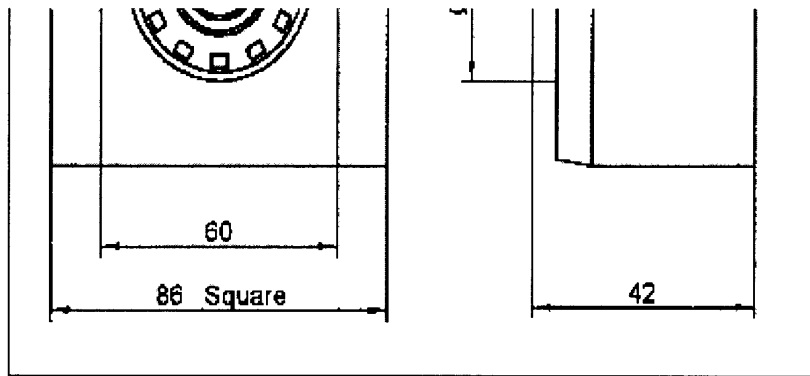
Askari Specifications

Askari Compact

The Askari Compact is an ideal electronic sounder for use in hotel bedrooms and has been designed to meet the requirements of BS5839 Part 1 with regard to sound output in sleeping risk areas, its compact design will blend in with most decors to provide an unobtrusive flush or surface mounting sounder.

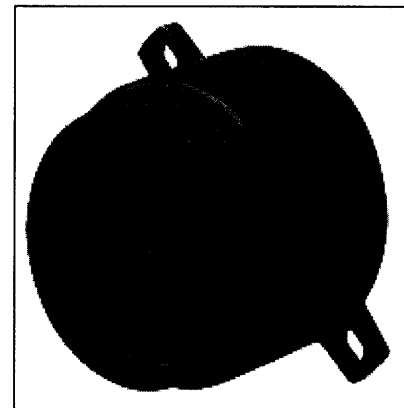
- The sounder is supplied pre-set to any one of 28 tones (see tone table). The unit is set to tone 3 unless specified otherwise.
- A second pre-set tone is available if a third wire is installed in the sounder circuit (see tone table).
- The sounder can be flush mounted using a standard single gang flush mounting box (minimum box depth of 36mm to allow wiring termination clearance), or a surface mounting box can be supplied.
- The signal tones available match those available for the Roshni and Squashni range of sounders and can therefore be mixed in the same system.
- Volume control.
- Available in red or white ABS moulding.



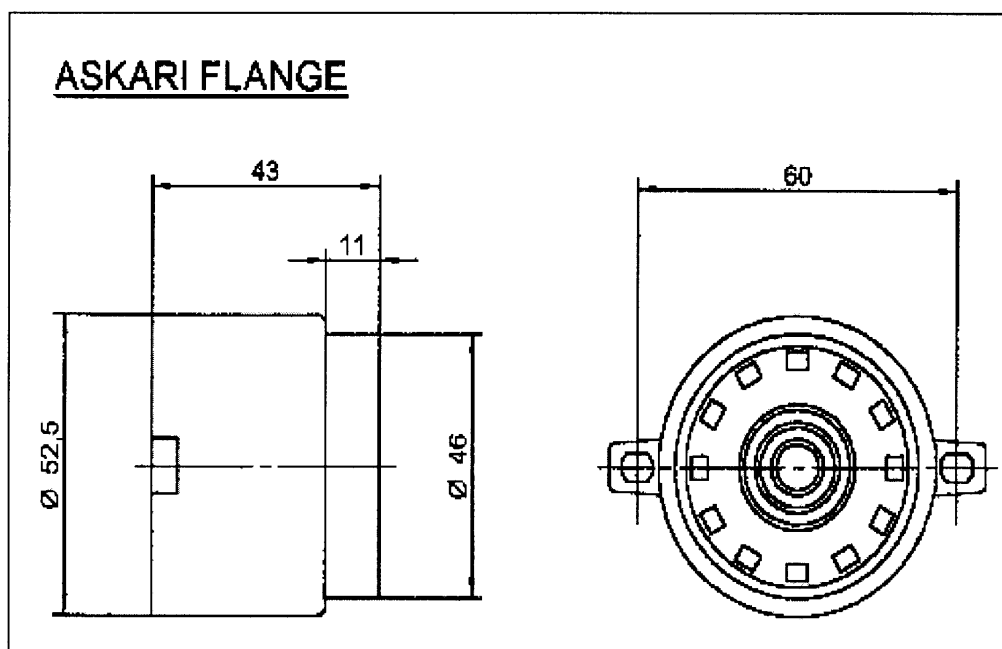


Askari Flange

The Askari Flange sounder is designed for use in applications where an alarm signal is required from within cabinets or machines. The sounder has a wide variety of applications including pedestrian crossing sound signals, vending machine security alarms etc.



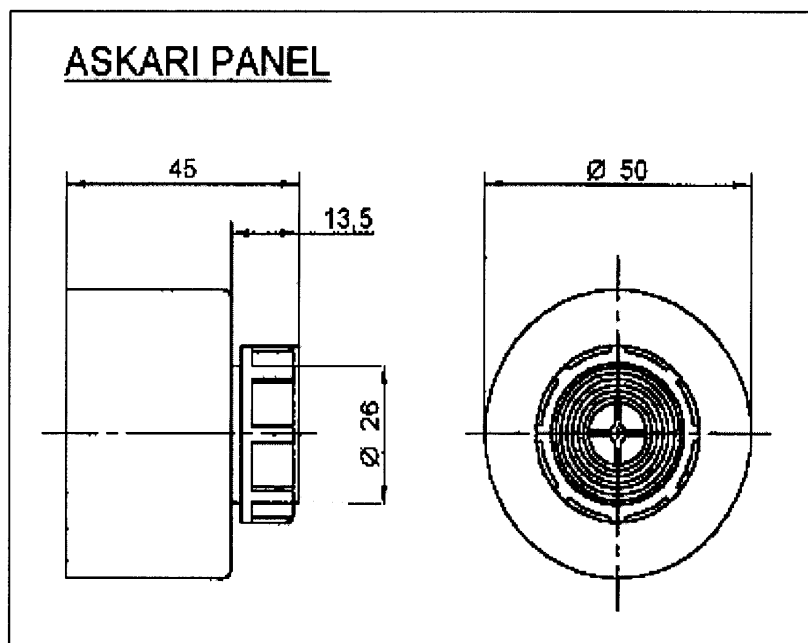
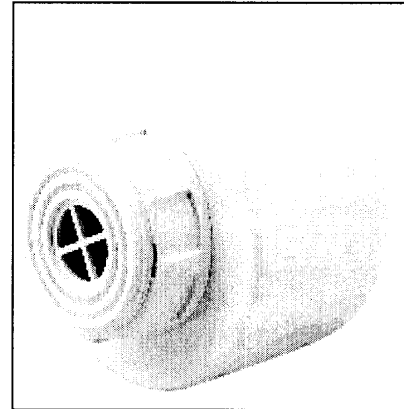
- Two protruding flanges enable the sounder to be securely fixed to any surface.
- The sounder is supplied pre-set to any one of 28 tones (see tone table). The unit is set to tone 5 unless specified otherwise.
- A second pre-set tone is available if a third wire is installed in the sounder circuit (see tone table).



Askari Panel

The Askari Panel sounder has been developed for instrumentation and control panel alarms, being designed for easy mounting onto panel fronts.

- The screw on top clamps the sounder body to the panel surface.
- The sounder is supplied pre-set to one of 28 different tones (see tone table). The unit is set to tone 5 unless specified otherwise.
- A second pre-set tone is available if a third wire is installed in the sounder circuit (see tone table).
- The Askari Panel sounder is supplied with three flying leads for circuit connection.
- Optional volume control.

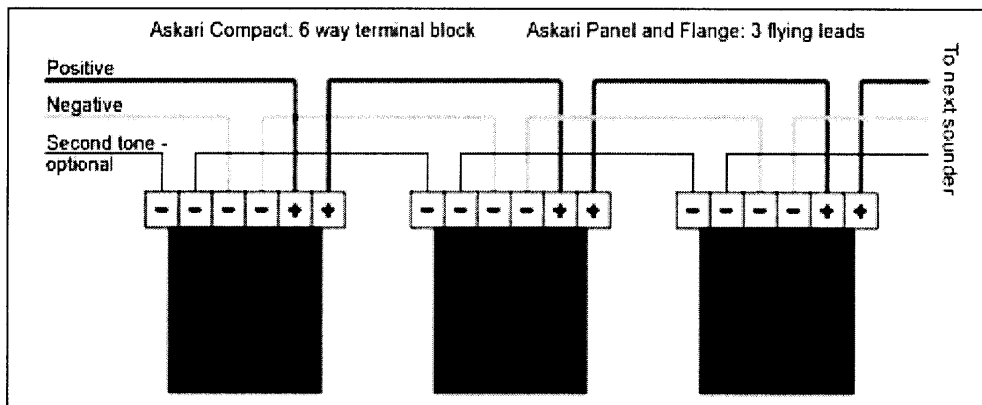


A 26mm dia. panel aperture required for fixing.

Specifications

| Model No | Askari Compact | Askari Flange | Askari Panel |
|-------------------------|--------------------|---------------|--------------|
| Operation | Continuously Rated | | |
| Operating Voltage Range | 9 - 28V DC | | |
| Sound Output | See table below | | |

| | | | |
|---------------------------|-------------------------------|-----------------------|-----------------------|
| Current Consumption | See table below | | |
| Starting Current | 30mA for 2 milliseconds | | |
| Starting Time | 1.5 milliseconds | | |
| Automatic Synchronisation | Synchronised phased start | | |
| Frequency Stability | +/- 0.5% | | |
| Operating Temperature | -40°C to +80°C | | |
| Line Monitoring Method | Polarised Input | | |
| Construction | ABS plastic case Red or White | | |
| Ingress Protection | IP54 with back box | IP65 | IP65 |
| Dimensions | 85.75mm x 85.75mm x 36mm deep | 50mm dia. x 44mm deep | 52mm dia. x 43mm deep |
| Weight | 109g | 85g | 95g |



| No. | Tones | 2nd Tone | Code 12345 | Description | Typical current (average mA) | | Typical Sound Output ±2dB at 1m | |
|-----|-----------------------------------|----------|------------|-------------------|------------------------------|-----|---------------------------------|-----|
| | | | | | 12V | 24V | 12V | 24V |
| 1 | Alternating Tones 800/970 at 2 Hz | 14 | 11111 | | 10 | 18 | 91 | 95 |
| 2 | Sweeping 800/970 Hz at 7 Hz | 14 | 11110 | Fast Sweep (LF) | 10 | 18 | 94 | 97 |
| 3 | Sweeping 800/970 Hz at 1 Hz | 14 | 11101 | Medium Sweep (LF) | 10 | 18 | 94 | 97 |
| 4 | Continuous at 2850 Hz | 14 | 11100 | | 16 | 32 | 102 | 105 |
| 5 | Sweeping 2400-2850 Hz at 7 Hz | 4 | 11011 | Fast Sweep | 18 | 30 | 101 | 106 |
| 6 | Sweeping 2400-2850 Hz at 1 Hz | 4 | 11010 | | 17 | 30 | 101 | 106 |

| | | | | | | | | |
|----|---|----|-------|-------------------------|----|----|-----|-----|
| | 1 Hz | | | | | | | |
| 7 | Slow Whoop | 14 | 11001 | Slow Whoop | 12 | 20 | 92 | 96 |
| 8 | Sweep 1200-500 Hz at 1 Hz | 14 | 11000 | Din Tone | 9 | 16 | 91 | 95 |
| 9 | Alternating Tones 2400/2850 2 Hz | 4 | 10111 | | 19 | 30 | 100 | 105 |
| 10 | Intermittent Tone of 970 Hz at 1Hz | 14 | 10110 | Back-up Alarm (LF) | 9 | 12 | 89 | 93 |
| 11 | Alternating Tones 800/970 Hz at 1Hz | 14 | 10101 | | 10 | 18 | 90 | 95 |
| 12 | Intermittent Tone at 2850 Hz at 1Hz | 4 | 10100 | Back-up Alarm (HF) | 14 | 24 | 101 | 105 |
| 13 | 970 Hz at 1/4 sec. on 1 sec. off | 14 | 10011 | | 5 | 8 | 85 | 90 |
| 14 | Continuous at 970 Hz | 14 | 10010 | | 11 | 20 | 90 | 94 |
| 15 | 554 for 100 ms and 440 Hz for 400ms | 14 | 10001 | French Fire Sound | 7 | 12 | 86 | 91 |
| 16 | Intermittent 660 Hz 150ms On/150 ms Off | 16 | 10000 | Swedish Alarm Tone | 6 | 9 | 83 | 88 |
| 17 | Intermittent 660 Hz 1.8s On/1.8s Off | 17 | 01111 | Swedish Alarm Tone | 7 | 12 | 85 | 90 |
| 18 | Intermittent 660 Hz 6.5s On/13s Off | 18 | 01110 | Swedish Alarm Tone | 8 | 14 | 86 | 91 |
| 19 | Continuous 660 Hz | 19 | 01101 | Swedish Alarm Tone | 8 | 14 | 86 | 91 |
| 20 | Alternating 554/440 Hz at 1 Hz | 20 | 01100 | Swedish Alarm Tone | 7 | 13 | 86 | 91 |
| 21 | Intermittent 660 Hz at 1 Hz | 21 | 01011 | Swedish Alarm Tone | 6 | 10 | 84 | 89 |
| 22 | Intermittent 2850 Hz 150 ms On/100 ms Off | 14 | 01010 | Pelican Crossing | 13 | 22 | 100 | 105 |
| 23 | Sweep 800-970 Hz at 50 Hz | 14 | 01001 | Low Frequency Buzz | 10 | 18 | 92 | 96 |
| 24 | Sweep 2400-2850 Hz at 50 Hz | 4 | 01000 | High Frequency Buzz | 14 | 25 | 100 | 106 |
| 25 | Intermittent 970Hz 500ms On/500ms Off | 25 | 00111 | ISO 8201 Low Frequency | 9 | 14 | 88 | 92 |
| 26 | Intermittent 2850Hz 500ms On/500ms Off | 26 | 00110 | ISO 8201 High Frequency | 12 | 20 | 100 | 104 |
| 27 | Continuous at 4kHz | 27 | 00101 | | 18 | 35 | 97 | 101 |
| 28 | Alternating tones 800/970 at 2Hz | 10 | 00100 | FP1063.1 | 10 | 17 | 91 | 95 |

N.B. Sound output figures for the Flange and Panel sounders are typically 5dB(A) less than for the Compact sounder.

ORDERING CODES

VC - Optional volume control (Flange and Panel only)

BB - Back box for surface mounting (Compact only)

nn - Tone number

R or W - Red or White ABS moulding

EXAMPLE: AC/R/3/BB
Askari Compact/Red/Tone 3/Back Box

| | | |
|-----------|---|----------------|
| AL | - | Askari Compact |
| AP | - | Askari Panel |
| AF | - | Askari Flange |

We reserve the right to change, without prior notice, the specification of these products from that detailed.
Data shown is typical for operation under normal ambient conditions.

FULLEON LTD

Llantarnam Park,
Cwmbran, Gwent NP44
3AW.
Tel: +44 (0) 1633 872131
Fax: +44 (0) 1633 866346

E-mail:
sales@fulleon.co.uk URL:
<http://www.fulleon.co.uk>



BS EN ISO 9001:1994
Certificate Number FM35110



◀ Back to Contents