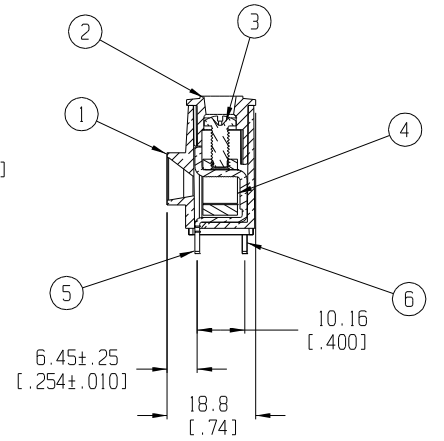
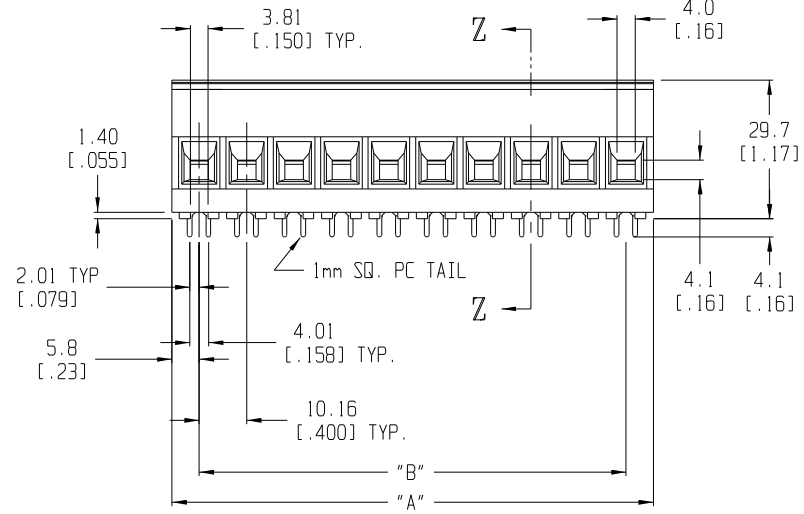
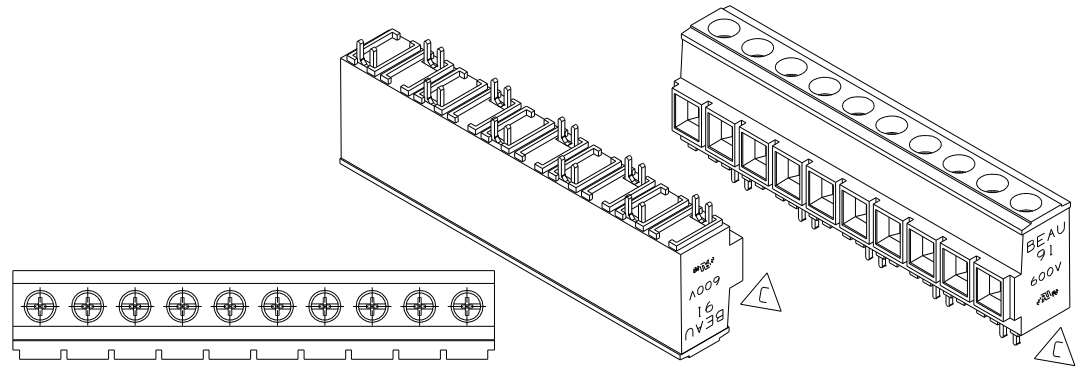


- NOTES:
1. MATERIAL: SEE TABLE
 2. FINISHES: SEE TABLE
 3. PRODUCT SPECIFICATION: NOT REQUIRED
 4. PACKAGING: NOT REQUIRED
 5. MATES WITH: NONE
 6. PART IS DESIGNED TO MEET UL 1059 CLASS C 600V, 40A
 7. STAGGERED PC TAIL POSITION ON ALTERNATE CIRCUITS
 8. "XX" REFERS TO NUMBER OF CIRCUITS
 9. FOR OPTIONAL IMPRINTING, REFER TO SD-38120-005



SECTION Z-Z

ITEM	QTY.	DESCRIPTION	MATERIAL	FINISH
6	A/R	REAR TERMINAL	COPPER	TIN
5	A/R	FRONT TERMINAL	COPPER	TIN
4	XX	CAGE	BRASS	NICKEL
3	XX	SCREW, M4, #2 POZI-SLOT	BRONZE	TIN
2	1	COVER	THERMOPLASTIC	BLACK
1	1	BODY	THERMOPLASTIC	BLACK

EC NO. 11485	ECO 11568	DRWN: JF	8-10-04
CH K:	APPR:	DESCRIPTION:	
REV			

QUALITY SYMBOLS
MAJOR =
CRITICAL =
C =

GENERAL TOLERANCES: (UNLESS SPECIFIED)	
4 PLACES	±.0015
3 PLACES	±.038 ±.005
2 PLACES	±.13 ±.01
1 PLACE	±.3
ANGULAR: ±2°	
DRAFT WHERE APPLICABLE MUST REMAIN WITHIN DIMENSIONS	

SCALE 1:1	DESIGN UNITS <input type="checkbox"/> mm <input checked="" type="checkbox"/> INCH
DRAWN BY & DATE R. STONE 9-13-00	
CHECKED BY & DATE R. KEMP 9-13-02	
APPROVED BY & DATE L. ROTHHAUS 9-27-02	
CAD FILENAME 9135XX	

PROJECT NO. -	-	-
DIMENSIONS:	<input checked="" type="checkbox"/> mm <input type="checkbox"/> INCH	<input type="checkbox"/> mm ONLY
THIRD ANGLE PROJECTION		
SHT	REV	
TITLE: SR BTS 8 AWG ASSY, 600V 40 A		
MATERIAL NO. SEE CHART		
DRAWING NO. SD-39910-002		
SHEET NO. 1 OF 2		
THIS DRAWING CONTAINS INFORMATION THAT IS PROPRIETARY TO MOLEX INCORPORATED AND SHOULD NOT BE USED WITHOUT WRITTEN PERMISSION.		
		SIZE B



MATERIAL	MATERIAL NUMBER	MATERIAL NUMBER	MATERIAL NUMBER	MATERIAL NUMBER	MATERIAL NUMBER	OPTIONAL NUMBER	"A" DIM.	"B" DIM.
STD	OPTIONAL 10A IMPRINT	OPTIONAL 11A IMPRINT	OPTIONAL SLOTTED SCREW	OPTIONAL SLOTTED SCREW W/10A IMPRINT	OPTIONAL SLOTTED SCREW W/11A IMPRINT	OF CIRCUITS		
L 399100302	L 399110302	L 399140302	L 399100502	L 399110502	L 399140502	L 2	L 21.84 [.86]	L 10.16 [.400]
L 399100303	L 399110303	L 399140303	L 399100503	L 399110503	L 399140503	L 3	L 32.00 [1.26]	L 20.32 [.800]
L 399100304	L 399110304	L 399140304	L 399100504	L 399110504	L 399140504	L 4	L 42.16 [1.66]	L 30.48 [1.200]
L 399100305	L 399110305	L 399140305	L 399100505	L 399110505	L 399140505	L 5	L 52.32 [2.06]	L 40.64 [1.600]
L 399100306	L 399110306	L 399140306	L 399100506	L 399110506	L 399140506	L 6	L 62.48 [2.46]	L 50.80 [2.000]
L 399100307	L 399110307	L 399140307	L 399100507	L 399110507	L 399140507	L 7	L 72.64 [2.86]	L 60.96 [2.400]
L 399100308	L 399110308	L 399140308	L 399100508	L 399110508	L 399140508	L 8	L 82.80 [3.26]	L 71.12 [2.800]
L 399100309	L 399110309	L 399140309	L 399100509	L 399110509	L 399140509	L 9	L 92.96 [3.66]	L 81.28 [3.200]
L 399100310	L 399110310	L 399140310	L 399100510	L 399110510	L 399140510	L 10	L 103.12 [4.06]	L 91.44 [3.600]
L 399100311	L 399110311	L 399140311	L 399100511	L 399110511	L 399140511	L 11	L 113.28 [4.46]	L 101.60 [4.000]
L 399100312	L 399110312	L 399140312	L 399100512	L 399110512	L 399140512	L 12	L 123.44 [4.86]	L 111.76 [4.400]
L 399100313	L 399110313	L 399140313	L 399100513	L 399110513	L 399140513	L 13	L 133.60 [5.26]	L 121.92 [4.800]
L 399100314	L 399110314	L 399140314	L 399100514	L 399110514	L 399140514	L 14	L 143.76 [5.66]	L 132.08 [5.200]

EC NO. SEE SHEET DRAWN: ONE CHK: K: APPR: REV:	DESCRIPTION MAJOR = CRITICAL = SPC = S =	GENERAL TOLERANCES: (UNLESS SPECIFIED)		SCALE N/A	DESIGN UNITS <input type="checkbox"/> mm <input checked="" type="checkbox"/> INCH	THIRD ANGLE PROJECTION	PROJECT NO. - - -	SHT REV
		4 PLACES ±.0015 3 PLACES ±.038 ±.005 2 PLACES ±.13 ±.01 1 PLACE ±.3	DRAWN BY & DATE J.FARMER 08-10-04	DIMENSIONS: <input checked="" type="checkbox"/> INCH <input type="checkbox"/> mm <input type="checkbox"/> mm ONLY			REVISE ON CAD ONLY	
		ANGULAR: ±2°	CHECKED BY & DATE APPROVED BY & DATE	TITLE: SR BTS 8 AWG ASSY, 600V 40 A				
		DRAFT WHERE APPLICABLE MUST REMAIN WITHIN DIMENSIONS	CAD FILENAME 9135XX.PRT	MATERIAL NO. SEE CHART	DRAWING NO. SD-39910-002	SHEET NO. 2 OF 2		

MOLEX INCORPORATED

THIS DRAWING CONTAINS INFORMATION THAT IS PROPRIETARY TO MOLEX INCORPORATED AND SHOULD NOT BE USED WITHOUT WRITTEN PERMISSION.