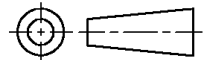


DO NOT SCALE
DIMENSIONS IN mm

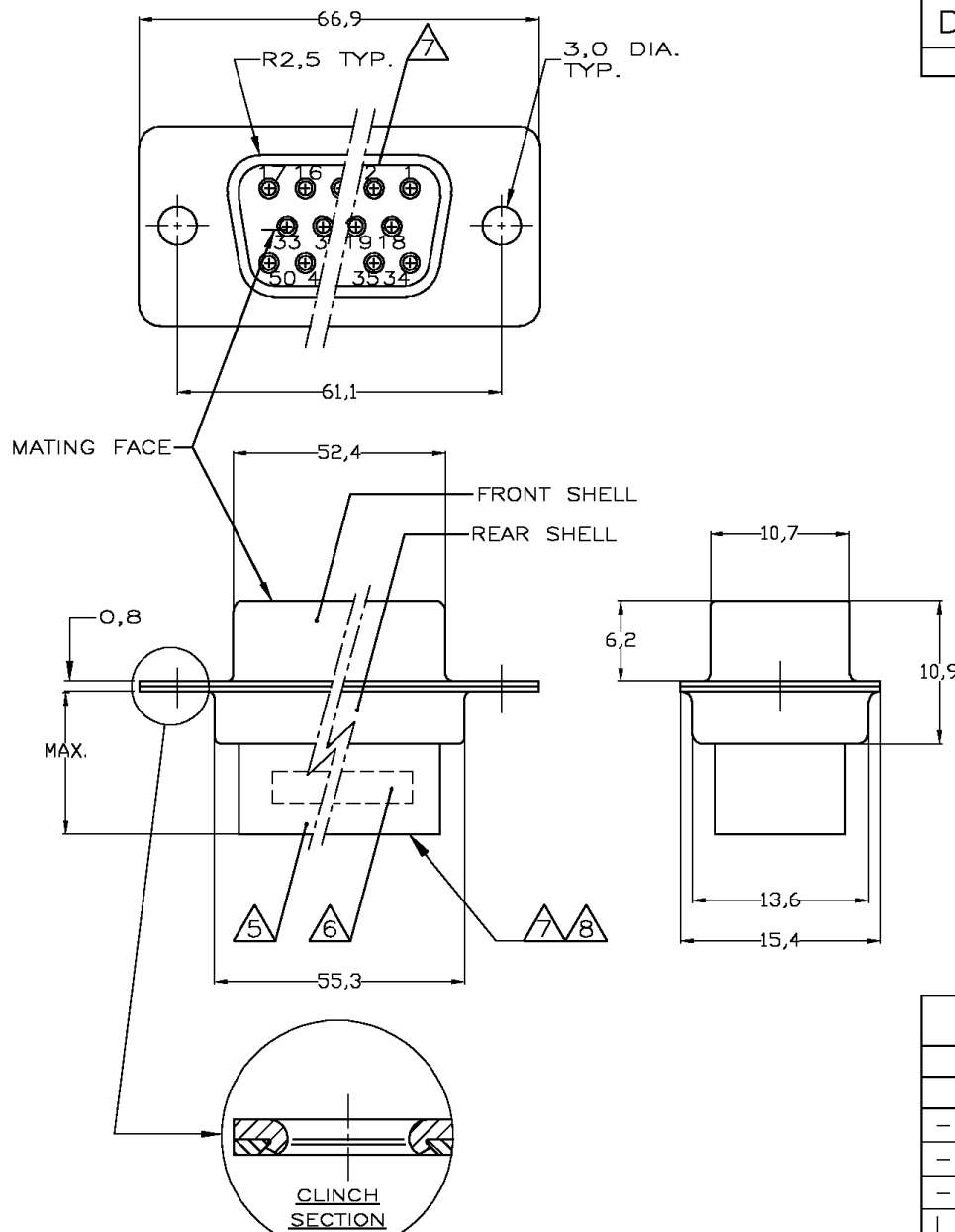
METRIC

THIRD ANGLE
PROJECTION



NOTES:

- 1 THIS RECEPTACLE ACCEPTS SIZE 20 REC. CONTACTS.
 - 2 MAXIMUM WIRE INSULATION RECOMMENDED FOR USE WITH THIS RECEPTACLE IS 1,73 DIA. MAX..
 - 3 RETENTION TINES ARE AN INTEGRAL PART OF INSERT.
 - 4 FOLLOWING INSERTION/REMOVAL TOOLS ARE RECOMMENDED FOR USE WITH THESE CONNECTORS:
 32-28AWG/28-24AWG CONTACTS
 91067-3 INSERTION/REMOVAL
 726363-1 INSERTION ONLY
 24-20AWG CONTACTS
 726363-1 INSERTION ONLY
 726364-1 REMOVAL ONLY
- △5 INSERTS: GLASSFILLED SELF-EXTINGUISHING PBT, COLOR BLACK.
 △6 AMP DATE CODE, AMP PART NUMBER, INK STAMPED.
 △7 RAISED CAVITY IDENTIFICATION 0,8 HIGH.
 △8 RAISED CAVITY IDENTIFICATION NUMBERS ON WIRE SIDE ARE WHITENED FOR 164535-9.



BRIGHT TIN	BRIGHT TIN	STEEL	164535-9	△8
BRIGHT TIN	BRIGHT TIN	STEEL	164535-4	
PLATING FRONT SHELL	PLATING REAR SHELL	MATERIAL SHELLS	PARTNUMBER	
-	-	-	CUSTOMER DRAWING FOR REFERENCE ONLY WILL NOT BE UPDATED	
-	-	-	© COPYRIGHT 19 - BY AMP HOLLAND B.V. ALL INTERNATIONAL RIGHTS RESERVED. AMP PRODUCTS MAY BE COVERED BY U.S. AND FOREIGN AND/OR PATENTS PENDING. THIS DRAWING IS UNPUBLISHED RELEASED FOR PUBLICATION	
L	EH01-0941-03	JwdH	-	11 AUG 03
K	SR10-0457-02	KV	-	24 OCT 02
J	SR10-0382-02	KV	-	23 AUG 02
H	EH-0314-99	D.K.	W.S.	11 FEB 99
LTR.	REVISION RECORD	DR.	CHK.	DATE
DR.: D. KESSLER		CHK.: W. SOOMERS		APP.: W. SOOMERS
DATE: 11 FEB 99		DATE: -		DATE: -
DWG.No. C-164535			REV.LTR. L	SHEET 1 OF 1
50 POS HDP-20 RECEPTACLE CONNECTOR SIZE 5				