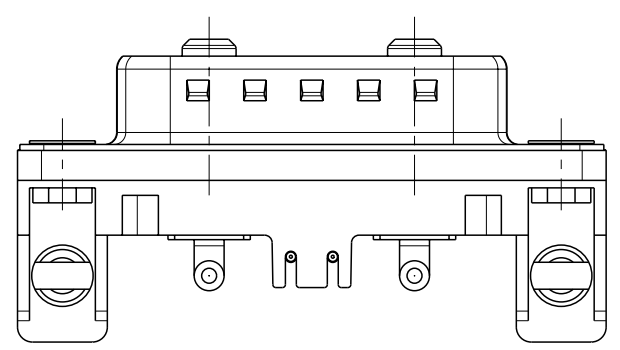
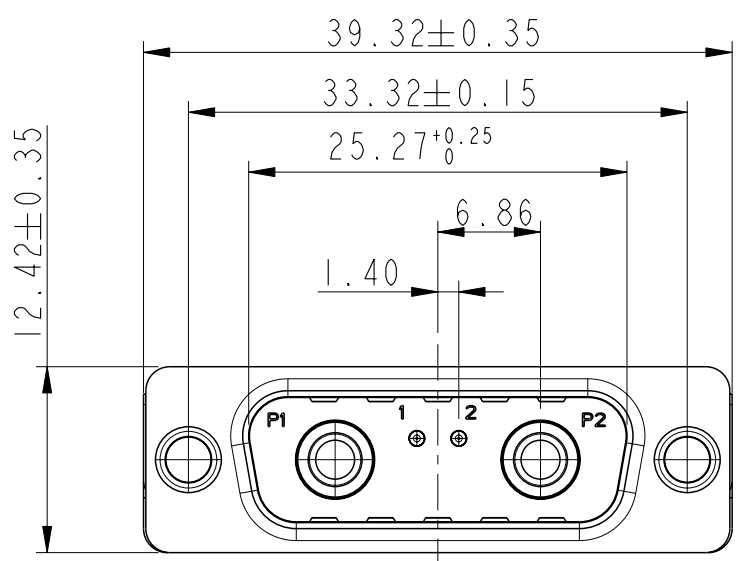
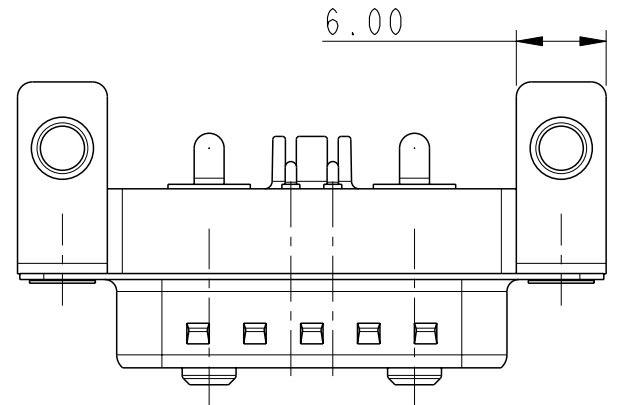


"This Product Meets European union directives & other country regulations as described in GS-22-008"
 Packing as per GS 14-1104

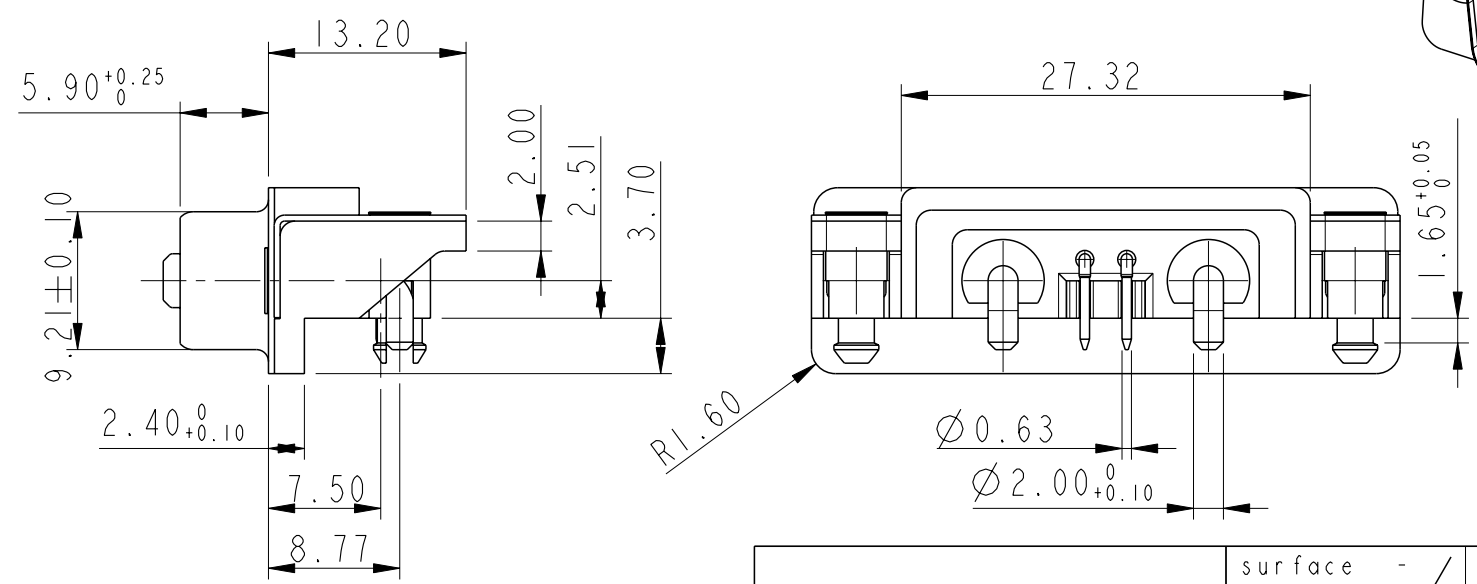
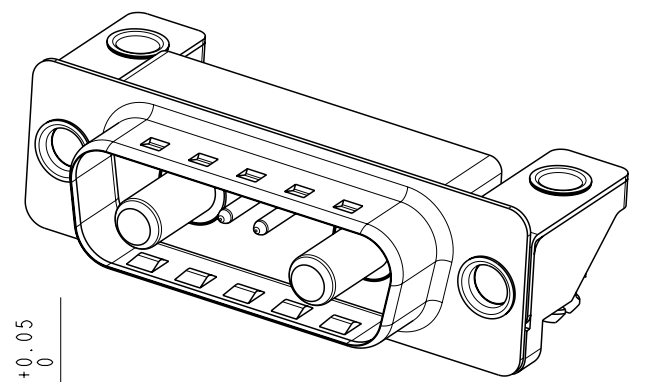
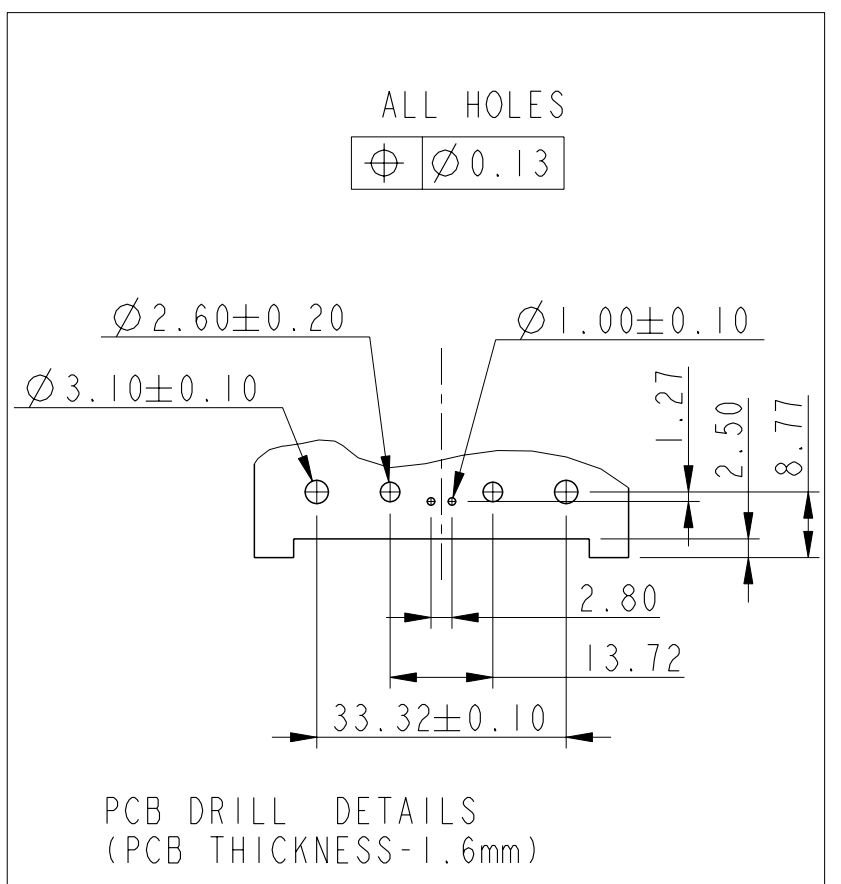
PART NO. 10070158-00319XLF

X-440UNC NUT
 L-M3 NUT



TECHNICAL SPECIFICATIONS

- MATERIAL:**
 INSULATOR : High Temperature Thermoplastics
 CONTACTS : Copper alloy
 SHELLS : Steel with Nickel Plated
- PLATING:**
 CONTACT ACTIVE ZONE : GOLD or Equivalent (200 matings)
 TERMINATION ZONE : TIN over Cu
 HARPOON : BRASS- TIN
 CLINCH NUT : BRASS- Nickel
- ELECTRICAL DATA:**
 Current Rating : 48V/24A for Power contact
 : 0.375 A for signal contact
 Test Voltage : 1000V
 Contact Resistance : For Power contacts - < 10mOhm
 : For Signal contacts - < 25mOhm
 Insulation Resistance: 5000M Ohm
- ENVIRONMENTAL CHARACTERISTICS- ROHS Compatible**
 Operating temperature : 70°C+30°C Temperature rise



Copyright FCI.

rev	ecn no	dr	date
A	107-0051	NG	2007-07-17
B	107-0163	NG	2007-11-30
-	-	-	-
-	-	-	-
-	-	-	-
-	-	-	-

www.fciconnect.com		surface - ISO 1302	tolerance std ISO 406 ISO 1101	projection mm
		TOLERANCES UNLESS OTHERWISE SPECIFIED		
Dr	NIRMAL G	2006-10-19	ANGULAR	0.X ±0.3
Eng	NIRMAL G	2007-11-29	LINEAR	0.XX ±0.10
Chr	ANISH SALAM	2007-11-30	0° ±2°	0.XXX ±0.050
Appr	BIJU K PAUL	2007-11-30	Product family	-D-SUB
SINGLE_PCB CONNECTOR -48V			size	A3
MicroTCA_MALE SOLDER TO BOARD VERSION			ECN	107-0163
catalog no			Spec ref	
			dwg no	10070158-003
			Rev.	B
			CUSTOMER	sheet 1 of 1