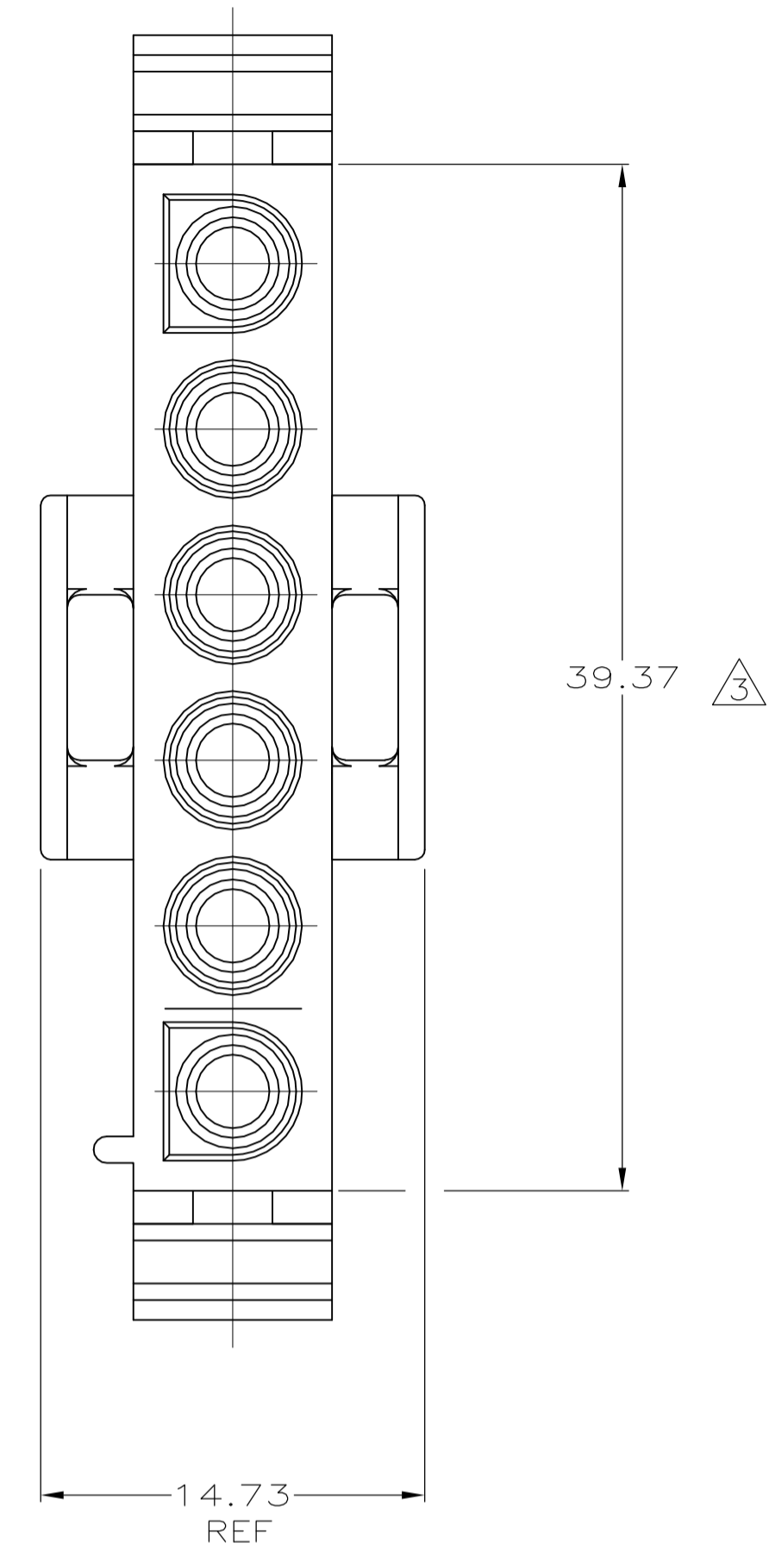
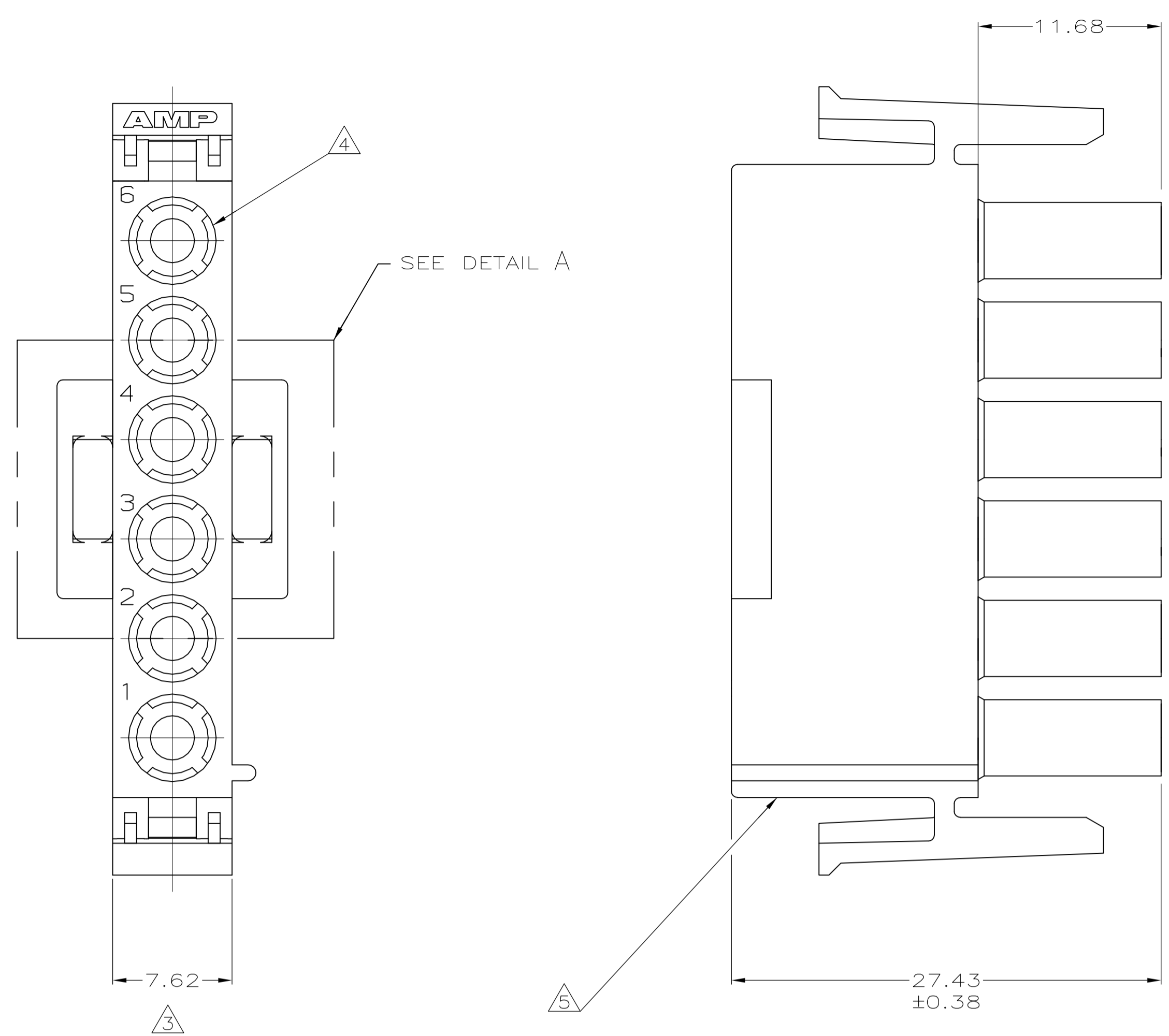
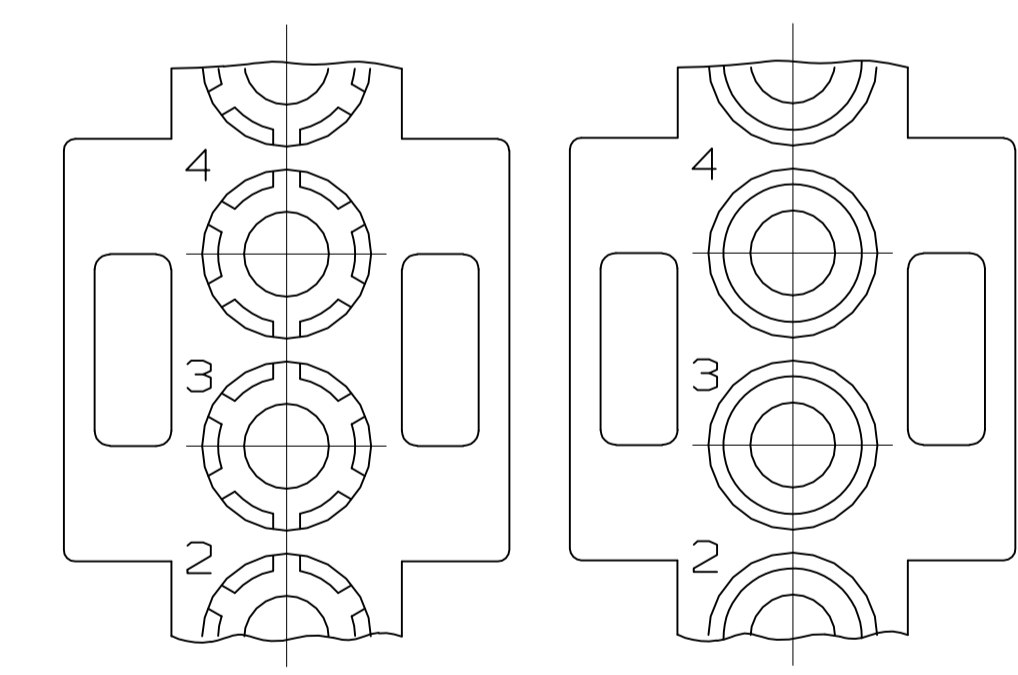
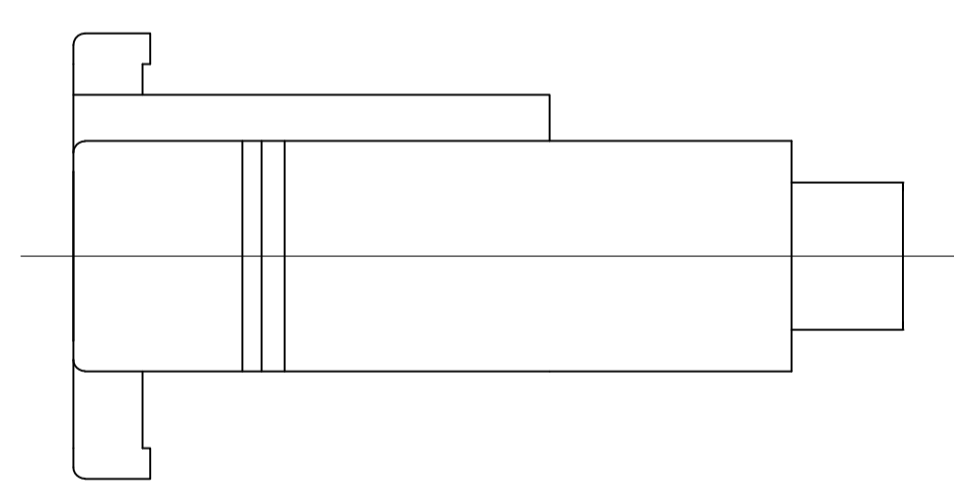


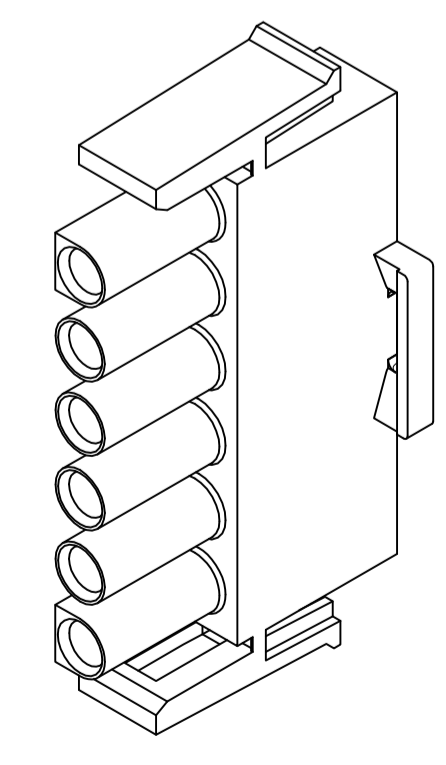
LOC		DIST		REVISIONS			
CM	0	REV	DATE	BY	CHK	APPV	
T2	ECO-07-020492		30AUG07	KW	DC		



- MATES WITH APPROPRIATE UNIVERSAL MATE-N-LOK™ CAP OR HEADER.
  - SMALL NICKS ARE PERMITTED ON THE CIRCUIT TOWERS WHICH COULD INCREASE THE INITIAL HOUSING MATING FORCE BY UP TO 4.4 NEWTONS [1.0 LBS]. NO INDIVIDUAL NICKED TOWER SHALL INCREASE THIS FORCE BY OVER 2.2 NEWTONS [.5 LBS].
- ⚠ DIMENSION INDICATED IS AS MOLDED. ADDITIONAL GROWTH DUE TO SUBSEQUENT MOISTURE ABSORPTION MAY OCCUR.
- ⚠ FOUR RIBS EQUALLY SPACED, NO SPECIFIC ORIENTATION. NO RIBS OR SIX RIBS EQUALLY SPACED, NO SPECIFIC ORIENTATION, OPTIONAL.
- ⚠ UNDERWRITERS RECOGNIZED COMPONENT LOGO AND CSA CERTIFICATION LOGO TO BE LOCATED ONCE EACH ON SIDE OF HOUSING.



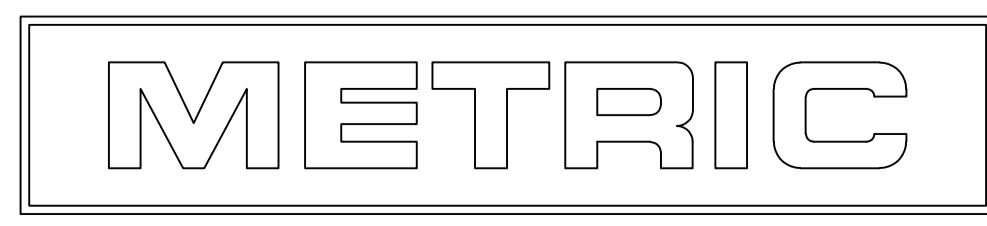
DETAIL A  
OPTIONAL CONSTRUCTIONS



3-DIMENSIONAL MODEL

MM	IN
39.37	1.550
27.43	1.080
14.73	.580
11.68	.460
7.62	.300
0.38	.015
0.13	.005
MM	IN

CONVERSION TABLE



BLUE	1-640581-6
RED	1-640581-2
NATURAL (WHITE)	640581-1
COLOR	PART NUMBER

THIS DRAWING IS A CONTROLLED DOCUMENT.

DIMENSIONS: mm [INCHES]	TOLERANCES UNLESS OTHERWISE SPECIFIED:	DWG: K. WHITAKER 09AUG2007	CHK: D. COLEY 09AUG2007	APPROD: D. COLEY 09AUG2007	NAME: PLUG, 6 CIRCUIT, UNIVERSAL MATE-N-LOK(TM)
0. PLC ± -	1. PLC ± -	Tyco Electronics Corporation Harrisburg, PA 17105-3608		PRODUCT SPEC	SIZE: A1
2. PLC ± 0.13	3. PLC ± -	CUSTOMER DRAWING		APPLICATION SPEC	SCALE: 4:1
4. PLC ± -	ANGLES ± ± 0°30'	DRAWING NO: 00779		RESTRICTED TO	SHEET 1 OF 1
MATERIAL: NYLON,UL 94V-0	FINISH: -	DRAWING NO: 640581		REV: T2	