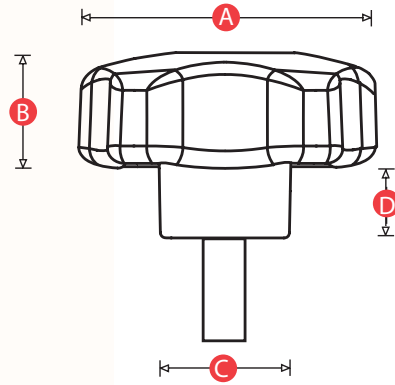


Model 12 - Soft touch Hand-wheels - Male thread



Model NO.	A	B	C	D	THREAD SIZE	THREAD LENGTH	WEIGHT (g)
KN12M28	28	16	12	10	M5	15	7.0
KN12M40	40	17	18	12	M6	25	21.2
KN12M50	50	19	21	12	M8	35	41.6
KN12M60	60	21	23	13	M10	30	50.1

Standard Colour: Black
 Thread Material: Plated Steel
 Material: Two-part mouldings: inner moulding Polypropylene, overmoulded with "soft-touch" TPE