

PART NO.	ENG. NO.
02-09-2141	1434-(P901)
02-09-2143	1434-(P901)L
02-09-2149	1434-(P901)I
02-09-2186	1434-(P903)
02-09-2185	1434-(P903)L
02-09-6144	1434-(550)
02-09-6145	1434-(550)L

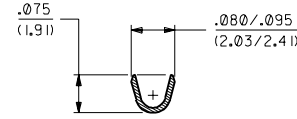
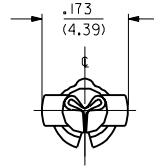
**LEGEND**

1434-(\*\*\*\*)\*

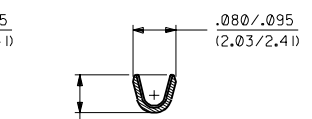
- P = PREPLATE
- BLANK = POSTPLATE
- FORM BLANK = CHAIN
- L = LOOSE
- I = WITH INTERLEAF PAPER
- FINISH CODE (SEE NOTE 2)

**NOTES:**

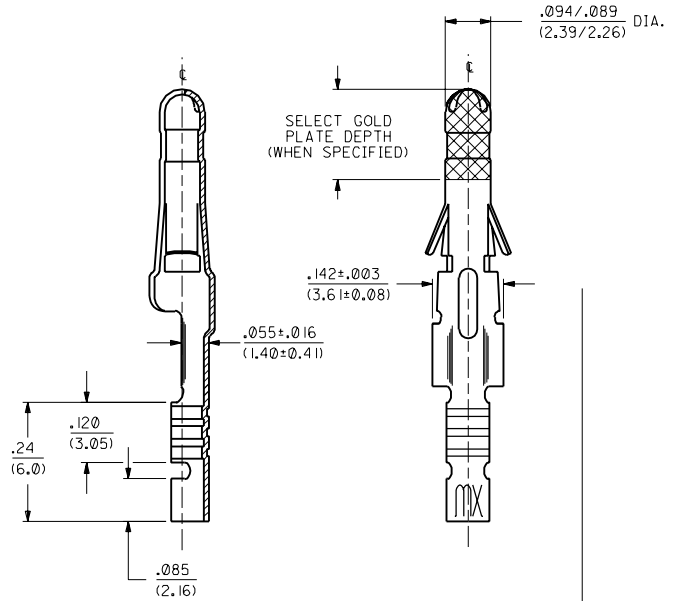
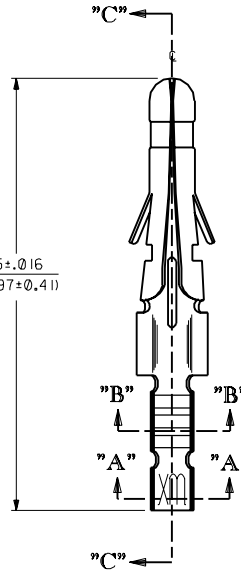
- MATERIAL: BRASS, ALLOY #26000
- FINISH:
  - 901 HOT TIN DIP .000020/(0.0005) MIN.
  - 903 HOT TIN-LEAD DIP .000050/(0.00127) MIN.
  - 550 SELECT GOLD PLATE .000015/(0.00038) MIN. IN CONTACT AREA, OVER .000030/(0.00076) MIN. NICKEL OVERALL WITH .000010/(0.00025) MAX. GOLD FLASH OVERALL
- THIS PART CONFORMS TO PRODUCT SPECIFICATION 02-09
- TERMINAL FOR USE WITH .093/(2.36) SERIES HOUSINGS AND WILL ACCEPT 24 THRU 30 AWG WIRE.
- INSERTION FORCE: 3.5 LBS. MAX. WHEN TERMINAL IS INSERTED INTO AN .093 SERIES HOUSING.
- CONTACT RETENTION: 20 LBS. MIN.



**SECT. "A-A"**



**SECT. "B-B"**



**SECT. "C-C"**

AC	ADD - (P901) ECN #2001-0905 4-5-01 BW
AB1	REVISED ECN# UCR1999-0518 STAMBAUGH 99-2-9
AB	FINAL RELEASE ECR 11/04/54 2/20/91 RW

DIMENSIONS SHOWN METRIC (INCH UNLESS OTHERWISE SPECIFIED TOLERANCES ANGULAR ± 1/2°)		REVISE ONLY ON CAD SYSTEM									
<table border="1"> <thead> <tr> <th>INCH</th> <th>METRIC</th> </tr> </thead> <tbody> <tr> <td>3 PLACE ± .010</td> <td>---</td> </tr> <tr> <td>2 PLACE ± .014</td> <td>± 0.25</td> </tr> <tr> <td>1 PLACE ---</td> <td>± 0.36</td> </tr> </tbody> </table>		INCH	METRIC	3 PLACE ± .010	---	2 PLACE ± .014	± 0.25	1 PLACE ---	± 0.36	TITLE: CRIMP TERMINAL, MALE .093/(2.36) DIA. FOR 24 THRU 30 AWG WIRE SHEET NO. 1 DATE 2/20/91 MOLEX INCORPORATED LITTLE ROCK, AR 69532 U.S.A.	
INCH	METRIC										
3 PLACE ± .010	---										
2 PLACE ± .014	± 0.25										
1 PLACE ---	± 0.36										
DRAFT WHERE APPLICABLE MUST REMAIN WITHIN DIMENSIONS DRWG. BY: GWF APP'D: GWF CHK'D: RW FILE NAME: S1434X1.DWG		PART NO.: SD-1434- DRWG. NO.: SD-1434- DIV: CP SIZE: C									