

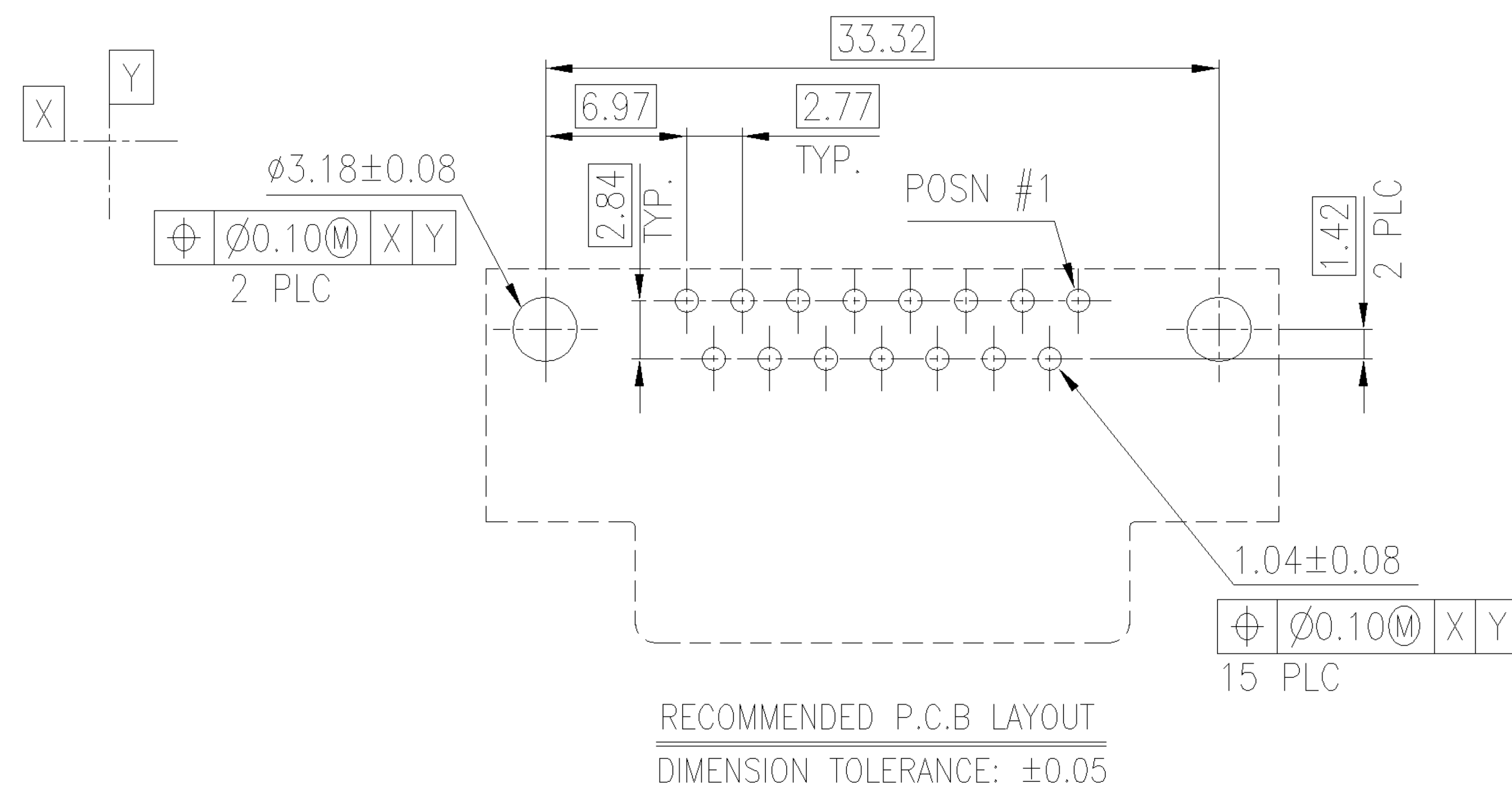
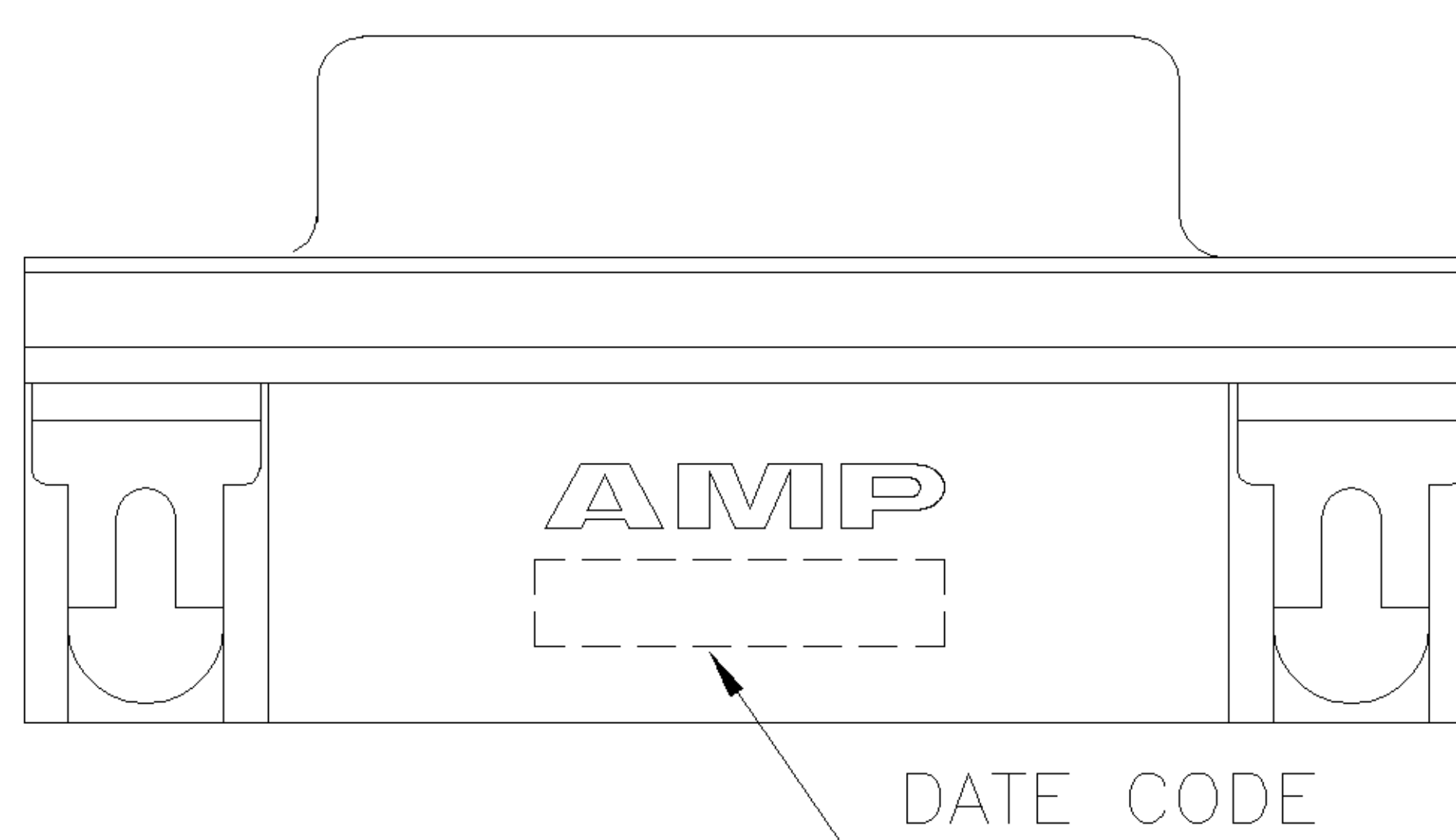
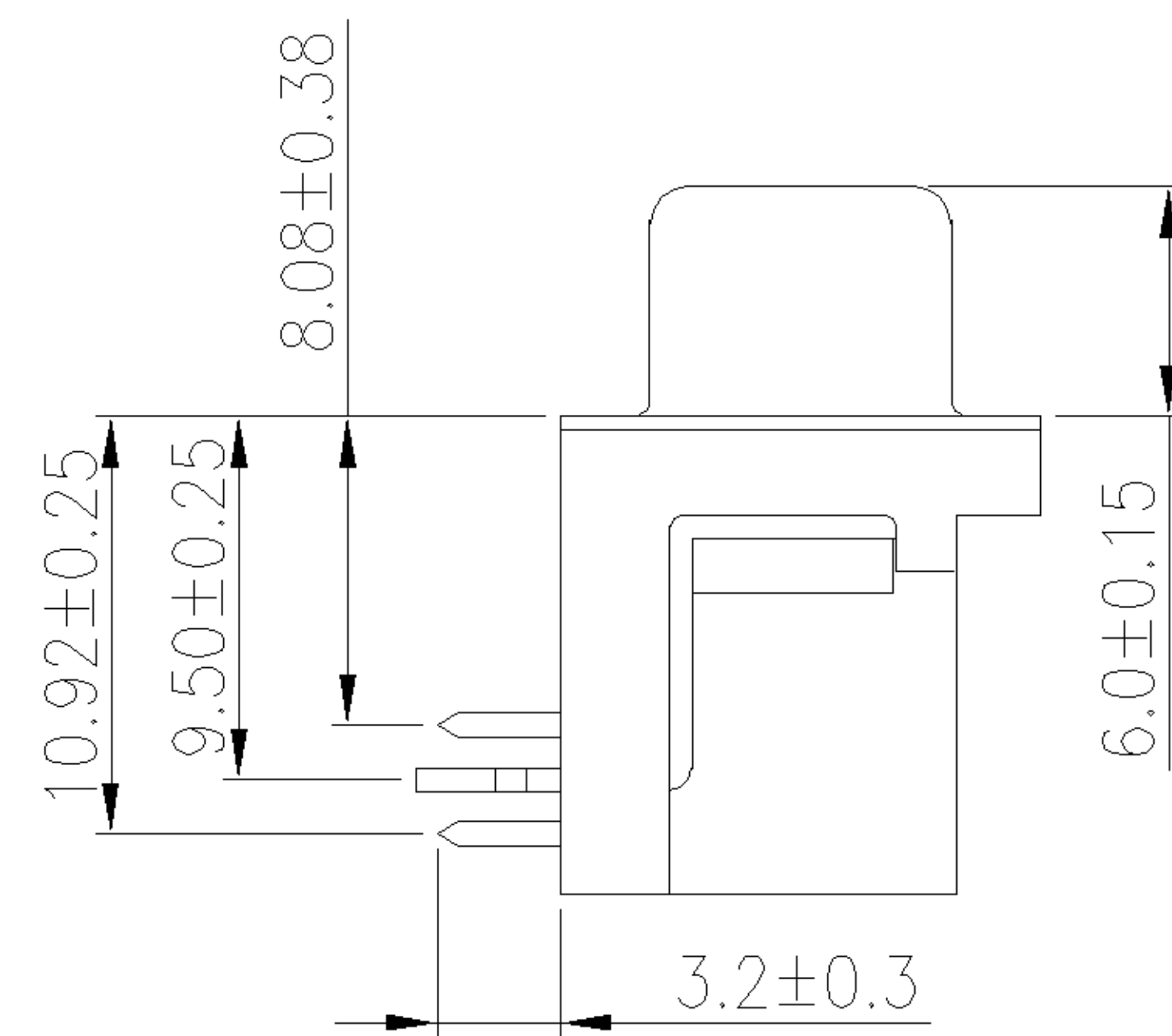
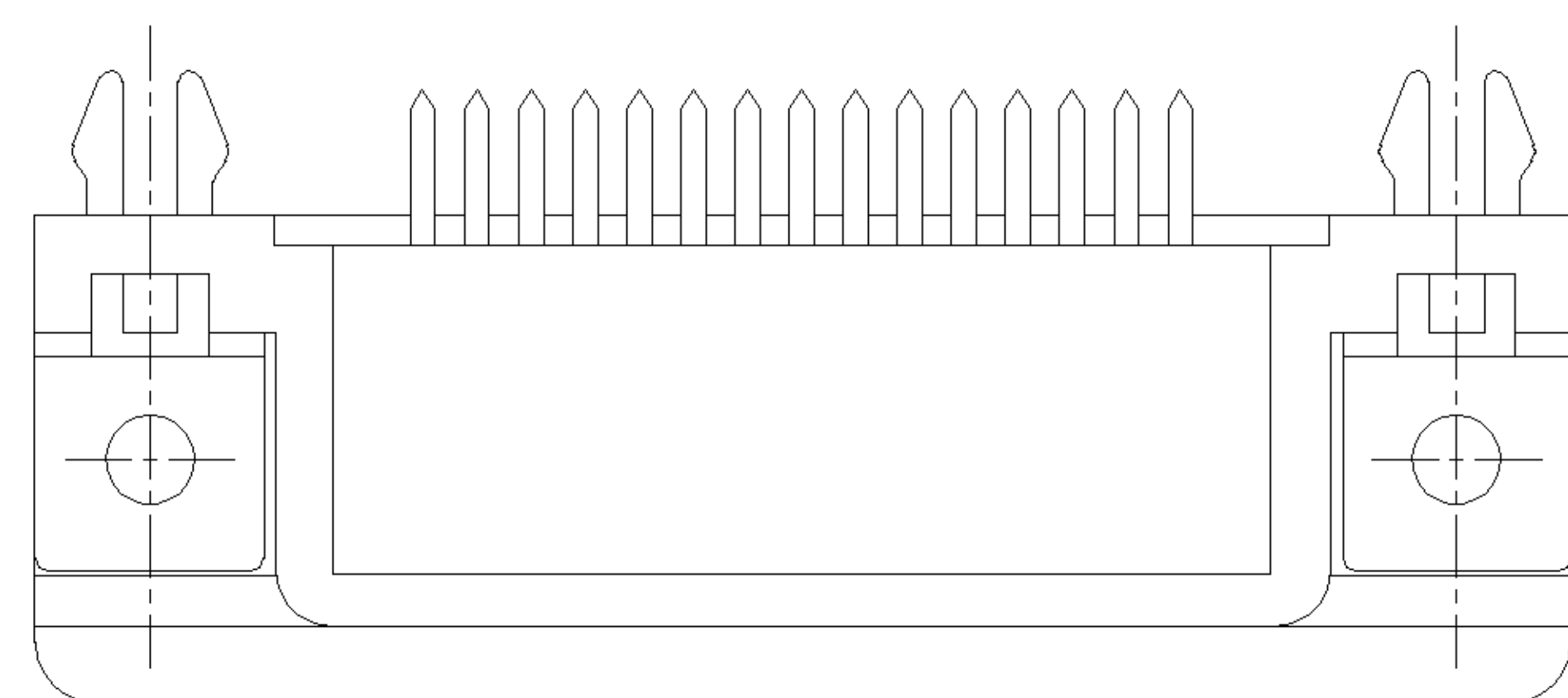
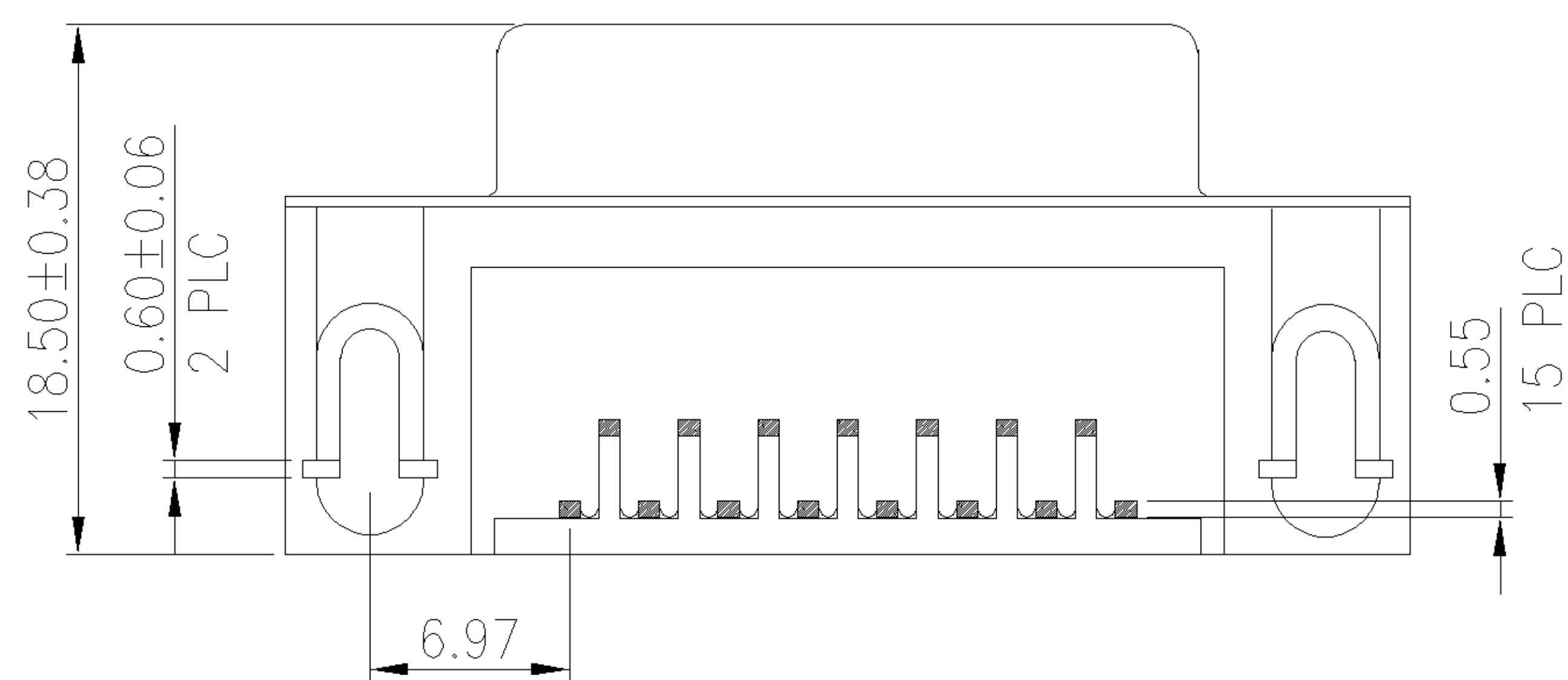
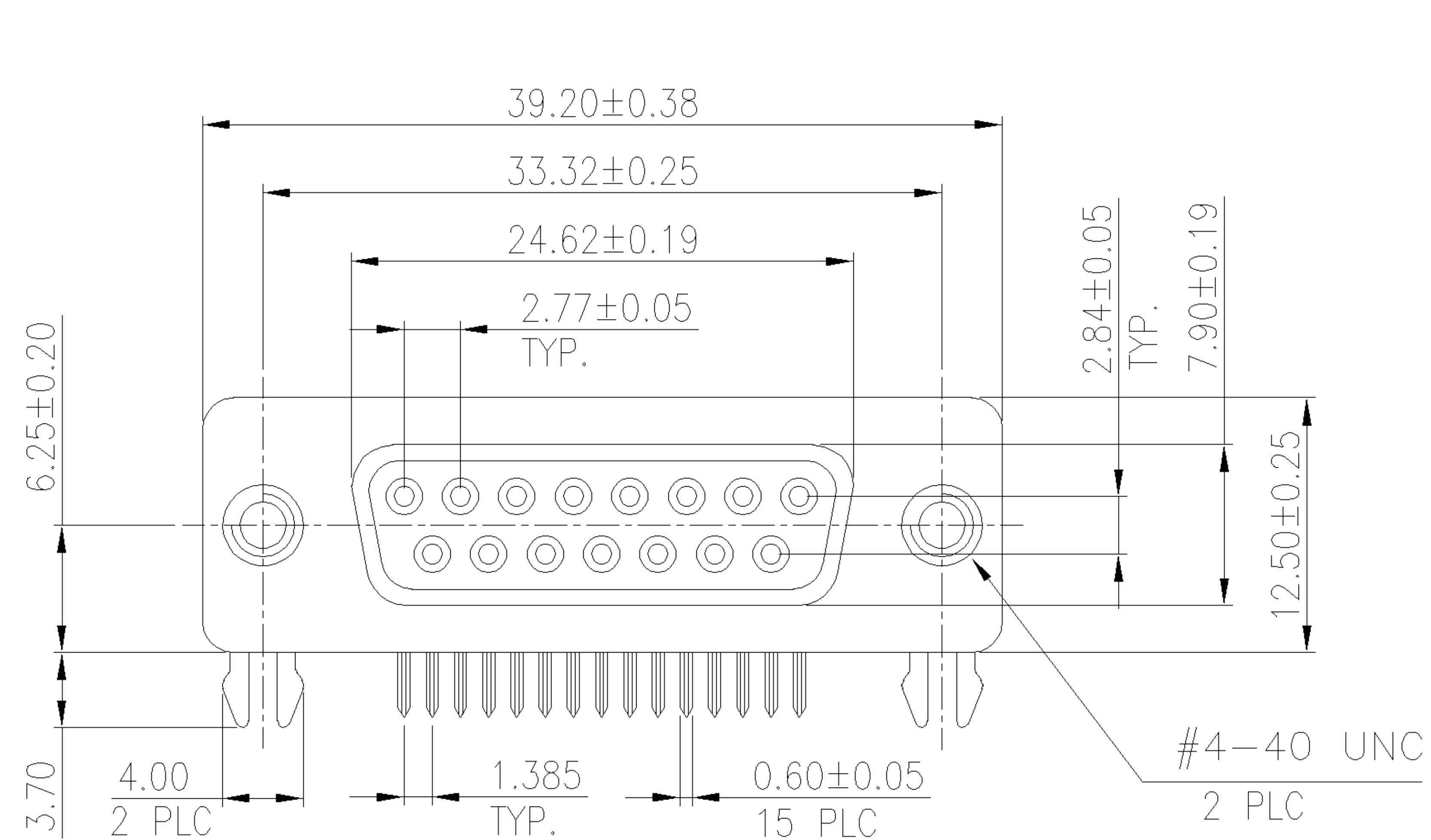
NUMBER  
C-1734355

3RD ANGLE PROJECTION

METRIC

THIS INFORMATION IS CONFIDENTIAL AND IS DISCLOSED TO YOU ON CONDITION THAT NO FURTHER DISCLOSURE IS MADE BY YOU TO OTHER THAN AMP PERSONNEL WITHOUT WRITTEN AUTHORIZATION FROM AMP (TAIWAN) LTD. DIMENSIONS IN MILLIMETERS. DO NOT SCALE PRINT.

PRINT DIST  
DW



NOTES:

- MATERIAL:
  - HOUSING: THERMOPLASTIC(PBT)  
UL 94V-0, COLOR: BLACK
  - CONTACTS: PHOSPHOR BRONZE
  - SHELL: SPCC
  - BOARDLOCKS: BRASS
  - RIVET: BRASS
- FINISH:
  - CONTACT:  
GOLD PLATING ON CONTACT AREA. (SEE TABLE)  
2.54um[100u"] MIN. MATTE TIN PLATING ON SOLDER TAIL AREA  
1.27um[50u"] MIN. NICKEL UNDERPLATED OVERALL
  - BOARDLOCK:  
2.54um[100u"] MIN MATTE TIN PLATING ON  
1.27um[50u"] MIN NICKEL UNDERPLATED OVERALL
  - SHELL: 1.27um[50u"] MIN. NICKEL PLATED
  - RIVET: 1.27um[50u"] MIN. NICKEL PLATED
- NET WEIGHT: 10.7 gram/pc.
- WAVE SOLDER CAPABLE TO 265°C  
PER TYCO SPEC. 109-202, CONDITION B
- DATE CODE: YYWW

15u"	1734355-2
G/F	1734355-1
GOLD FLASH	PART NO.

TOLERANCES UNLESS OTHERWISE SPECIFIED: 0 PLC ±0.5 1 PLC ±0.3 2 PLC ±0.2 3 PLC ±0.15 ANGLES ±3°	DWN	J. LEE 09-MAY-2006	<b>tyco</b> <b>Electronics</b> TYCO HOLDINGS (BERMUDA) VII LTD. TAIWAN BRANCH			
	CHK	S. HOU 09-MAY-2006				
MATERIAL  SEE NOTES	APVD	W.J. KE 09-MAY-2006	RECEPTACLE ASSEMBLY, 15 POSN RIGHT ANGLE, 8.08mm[0.318in] SERIES, AMPLIMITE			
	PRODUCT SPEC	108-57541				
FINISH  SEE NOTES	APPLICATION SPEC	501-57623	LOC DW	SIZE A <sub>3</sub>	DRAWING NO C-1734355	REV A
	WEIGHT	SEE NOTES	SCALE	--	SHEET 1 OF 2	

A	NEW RELEASED	--	JL	09-MAY
LTR	REVISION RECORD	ECN	DWN	2006
			CHK	DATE

CUSTOMER DRAWING

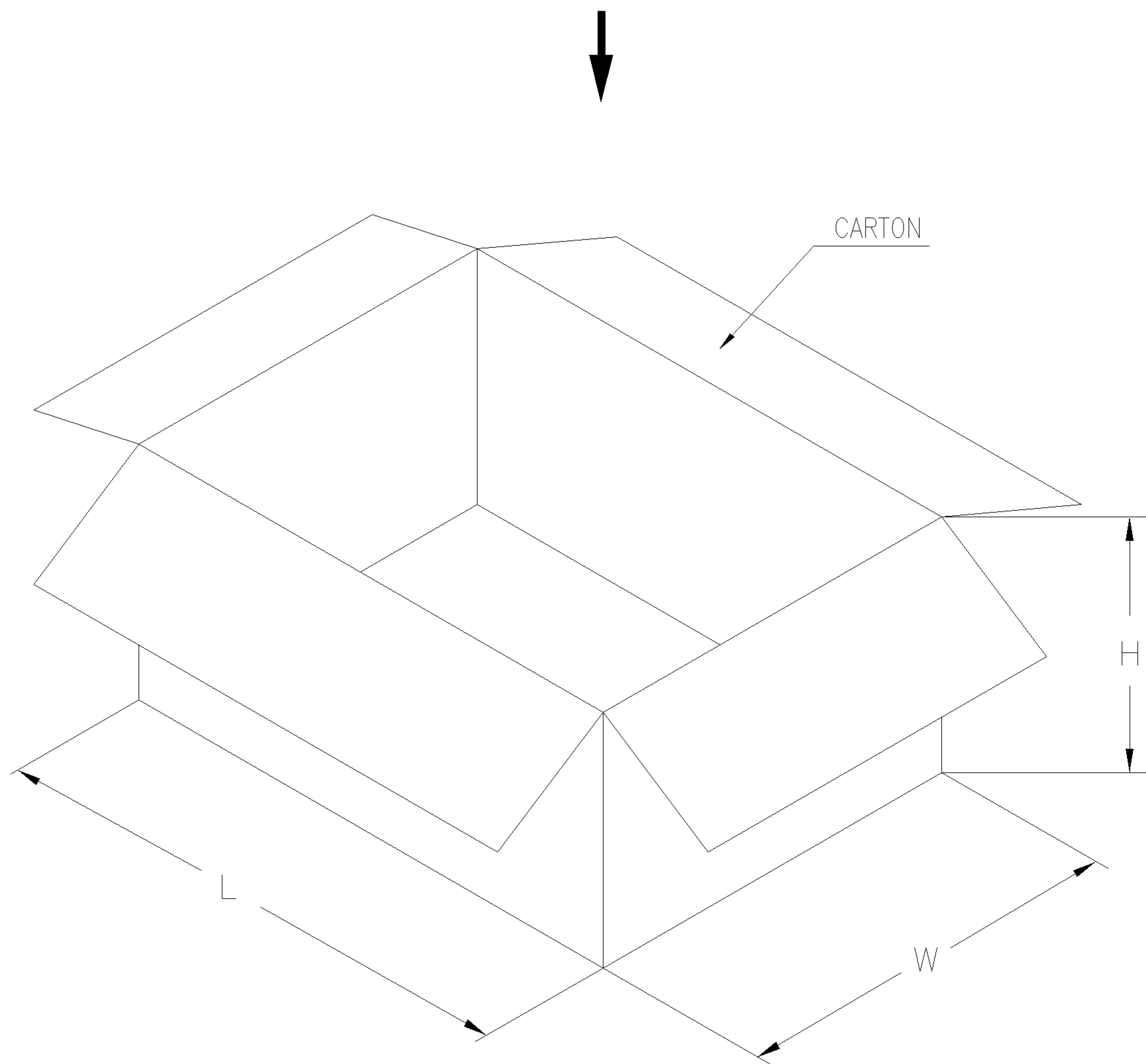
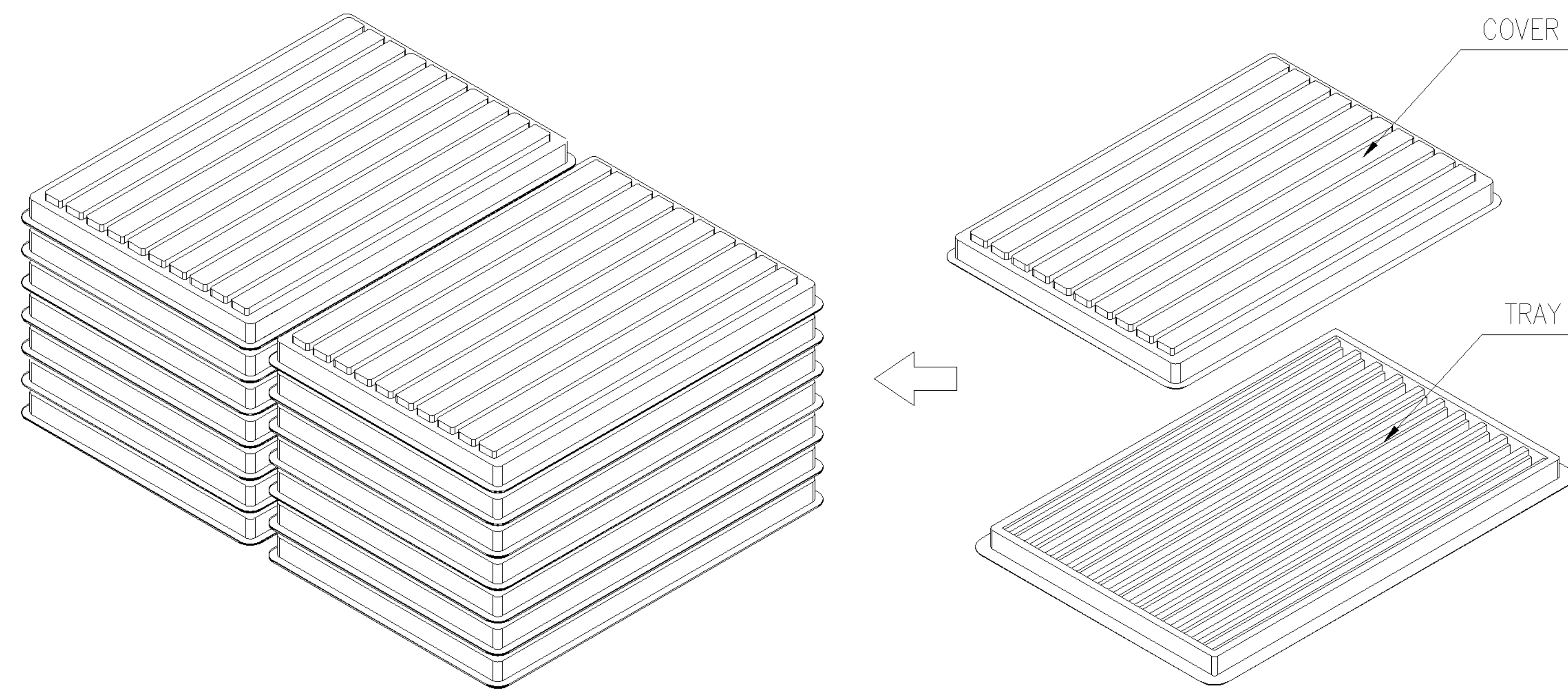
NUMBER  
C-1734355

3RD ANGLE PROJECTION

METRIC

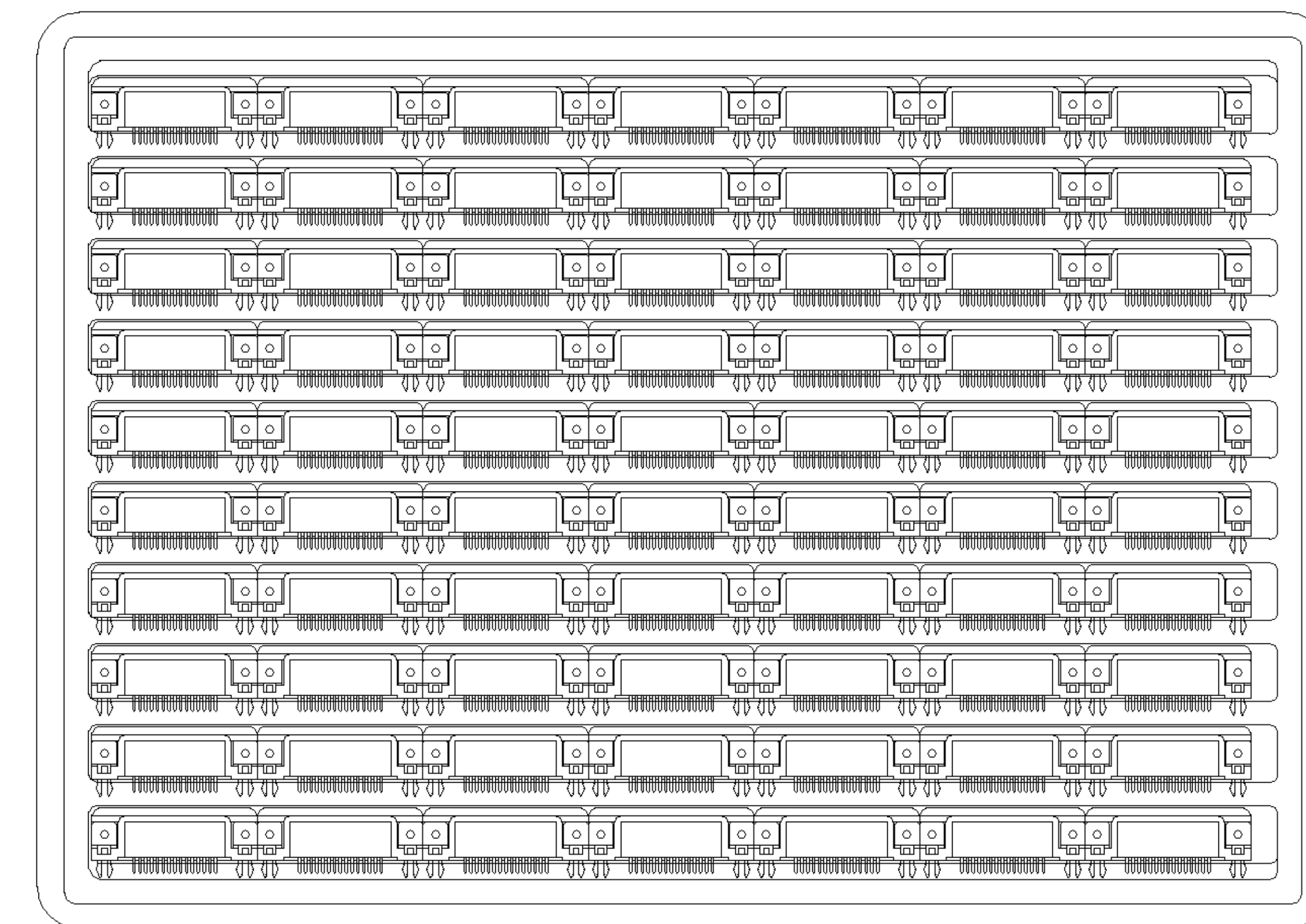
THIS INFORMATION IS CONFIDENTIAL AND IS DISCLOSED TO YOU ON CONDITION THAT NO FURTHER DISCLOSURE IS MADE BY YOU TO OTHER THAN AMP PERSONNEL WITHOUT WRITTEN AUTHORIZATION FROM AMP (TAIWAN) LTD. DIMENSIONS IN MILLIMETERS. DO NOT SCALE PRINT.

PRINT DIST  
DW



NOTES:

1. MATERIAL:
  - 1.1 TRAY: PVC
  - 1.2 SHIPPING CARTON: CORRUGATED FIBERBOARD
2. DIMENSION:
  - 2.1 TRAY: L=306, W=217, H=15
  - 2.2 SHIPPING CARTON: L=440, W=321, H=170
3. QUANTITY:
  - 3.1 PRIMARY PACKING: 70 PCS/TRAY
  - 3.2 SECONDARY PACKING: 14 TRAY/CARTON(980PCS)
4. CARTON WEIGHT:
  - 4.1 NET WEIGHT: 10.5 KG
  - 4.2 GROSS WEIGHT: 11.5 KG



TOLERANCES UNLESS OTHERWISE SPECIFIED: 0 PLC ± 1 PLC ± 2 PLC ± 3 PLC ± ANGLES ±	DWN	J. LEE 09-MAY-2006	<b>tyco</b> <b>Electronics</b> TYCO HOLDINGS (BERMUDA) VII LTD. TAIWAN BRANCH
	CHK	S. HOU 09-MAY-2006	
MATERIAL	APVD	W.J. KE 09-MAY-2006	NAME
SEE NOTES	PRODUCT SPEC		RECEPTACLE ASSEMBLY, 15 POSN RIGHT ANGLE, 8.08mm[0.318in] SERIES, AMPLIMITE
FINISH	APPLICATION SPEC		LOC
	WEIGHT		SIZE
			DRAWING NO
			C-1734355
			REV
			A
			SCALE
			SHEET
			2 OF 2

LTR	SEE SHEET 1	--	DWN	DATE
	REVISION RECORD	ECN	CHK	