

DIGITAL TEMPERATURE & PROCESS CONTROLLERS

IR32 TEMPERATURE & PROCESS CONTROLLER



The IR32 series temperature controllers, with their analogue, thermocouple and RTD inputs and relay or SSR drive output options, combine simple control and programmability with flexibility of use for a wide range of applications. They are available with 1, 2 or 4 outputs /set-points, can be configured for

9 different control modes including on/off, P or PI action and can be used to control temperature, humidity, air pressure or other media using suitable sensors.

- 9 pre-set control modes
- Temperature, humidity or air-pressure input sensor options
- 1, 2 or 4 output/set-point options
- Relay or SSR drive output options
- Infra-red, hand-held remote control programming option
- RS232/485 programming and data analysis via serial link
- IP65 water and dust protection
- CE approval for emc and low voltage directives
- Programmable advanced control options

SPECIFICATION

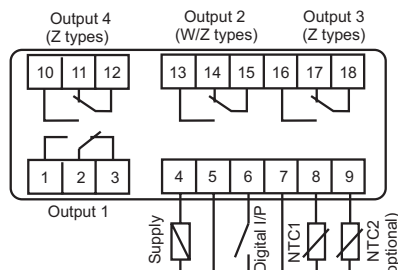
Supply:	12-24Vac/dc +/- 10% 110/230V with transformers
Supply drain:	3VA max.
Probe supply:	10Vdc @ 30mA internal
Inputs:	1 or 2 NTC, PT100, J, K T/c, 4-20mA, -0.5 to 1V
Digital input:	Programmable function to switch between set-points or to act as an alarm condition.
Scale range:	NTC : -40 to 90°C Pt100 : -99 to 600°C J T/c : -99 to 800°C K T/c : -99 to 999°C mA/V : -99 to 999 units
Accuracy:	+/- 0.5% of scale range
Output types:	See connection diagrams
Output ratings:	Relay: 8A @ 250Vac (10 A inrush) SSR: 10V/25mA
Protection:	IP65
Approval:	Conform to CE emc EN50081-1 & EN50082-1 and low voltage EN61010-1 directives.
Ambient range:	0 to 50°C @ 90% rH (non-condensing)
Weight:	IR32A: 240 gms IR32D: 200 gms IR32V: 200 gms IR32W: 220 gms IR32Z: 240 gms

Part Numbering Options : IR32 A B C 000

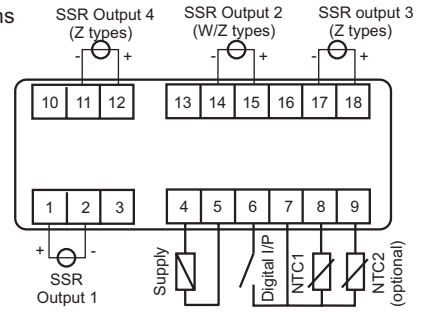
A	Outputs	1 Relay 2 Relays 4 Relays 1 SSR 4 SSRs	8A/250Vac " " 10V/25mA "	V W Z D A
B	Input	NTC probe PT100 probe J/K Thermocouple Current Voltage	-50 to 90°C 99 to 600°C 0 to 999°C 4 to 20mA -0.5 to +1V	0 1 2 3 4
C	Options	Economic (V0 only) Standard "	No IR sensor or buzzer IR sensor & buzzer IR sensor & buzzer	E L 0

CONNECTION DIAGRAMS

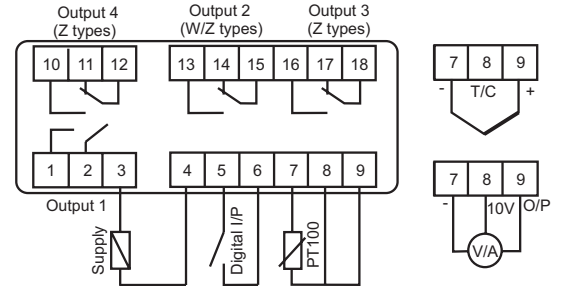
NTC/Relay Versions



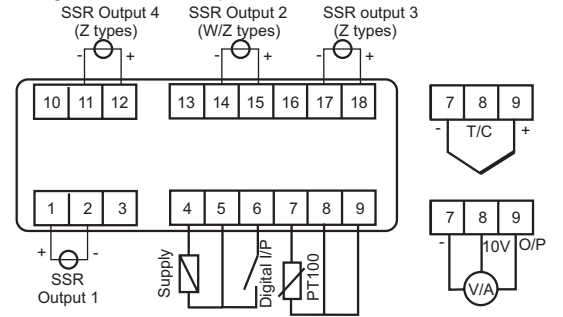
NTC/SSR Versions



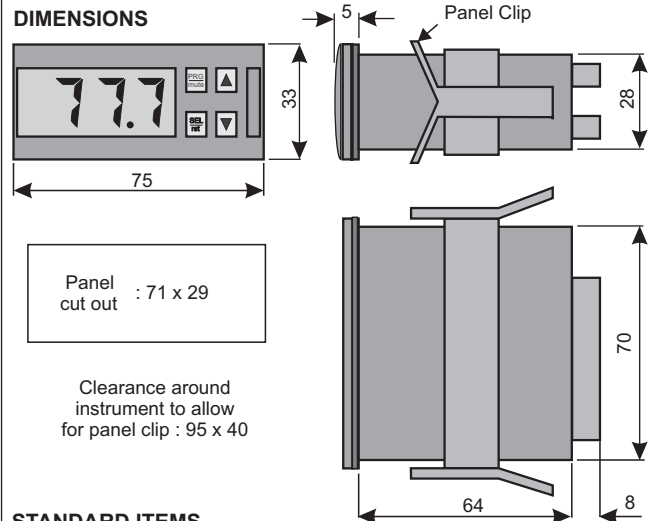
T/C, Voltage & Current Input/Relay Versions



T/C, Voltage and Current Input/SSR Versions



DIMENSIONS



STANDARD ITEMS

OutputType	Input Type	Part Number
1 Relay	NTC, economic	IR32V0E000
	NTC	IR32V0L000
	PT100	IR32V1L000
	J/K thermocouple	IR32V2L000
2 Relays	4-20mA	IR32V3L000
	-0.5 to 1V	IR32V4L000
	NTC	IR32W00000
	PT100	IR32W10000
4 Relays	J/K thermocouple	IR32W20000
	4-20mA	IR32W30000
1 SSR	PT100	IR32Z10000
	J/K thermocouple	IR32Z20000
4 SSRs	PT100	IR32D1L000
	J/K thermocouple	IR32D2L000
	PT100	IR32A10000
	J/K thermocouple	IR32A20000