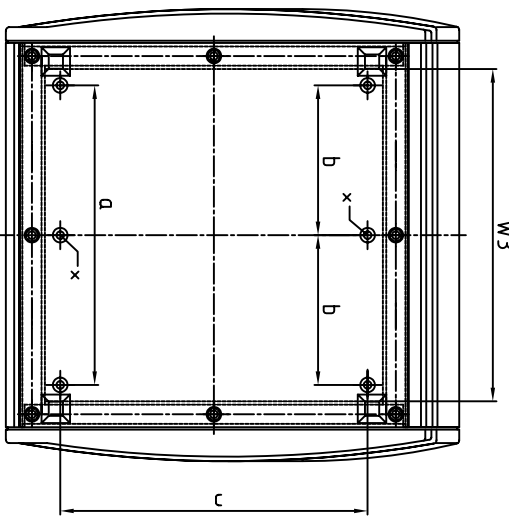
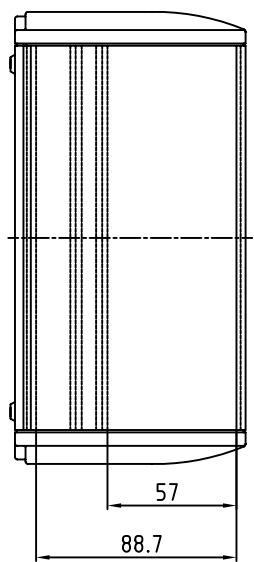


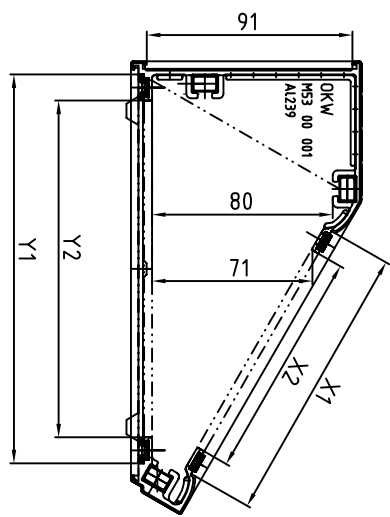
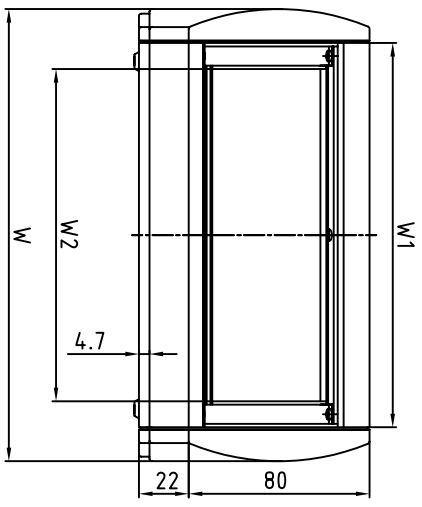
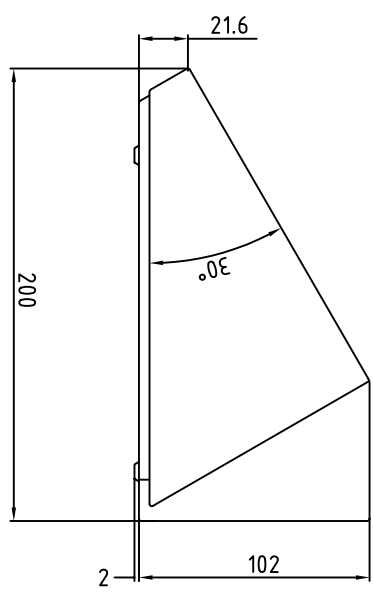
FIRST ANGLE PROJECTION



W	a	b	c
200	132.5	-	136
300	232.5	116.25	136
400	332.5	166.25	136

Size Drawn

x Holes not on W=200



Part No.	W	W1	Size	W2	W3	X1	X2	Y1	Y2
M53 20 105	200	170	S	14.7	14.7	12.4	101	172	14.9
M53 30 105	300	270	M	24.7	24.7	12.4	101	172	14.9
M53 40 105	400	370	L	34.7	34.7	12.4	101	172	14.9

Tolerances unless otherwise stated:

- General tolerances: ±0.20
- Resultant tolerances between hole centers: ±0.15
- Tolerances on hole diameters: ±0.05
- Angles: ± 0.5°
- Surface finish: $\sqrt{}$

ALL DIMENSIONS IN MILLIMETRES

DO NOT SCALE

Required finish:
RAL 7035 L/Text
Powder Coat

Scale:
Drawn by: Ian Cox
Checked by:
Drawing Number: 1013

Date drawn: August '05
Material Spec: Aluminium

Part Name: Undesk Case Assemblies
Part Number: See Table

Sheet 1 of 1

OKW ENCLOSURES LTD DATE AS SHOWN. THIS DRAWING CONTAINS PROPRIETARY INFORMATION OF OKW ENCLOSURES LTD AND IS TENDERED SUBJECT TO THE FOLLOWING CONDITIONS: THE INFORMATION BE RETAINED IN CONFIDENCE, NOT BE REPRODUCED OR COPIED, AND NOT BE USED OR INCORPORATED IN ANY PRODUCT, UNLESS PERMISSION IS OBTAINED IN WRITING FROM OKW ENCLOSURES LTD.

A0