

**MICRO SWITCH**

FREERPORT ILLINOIS, U.S.A  
A DIVISION OF HONEYWELL

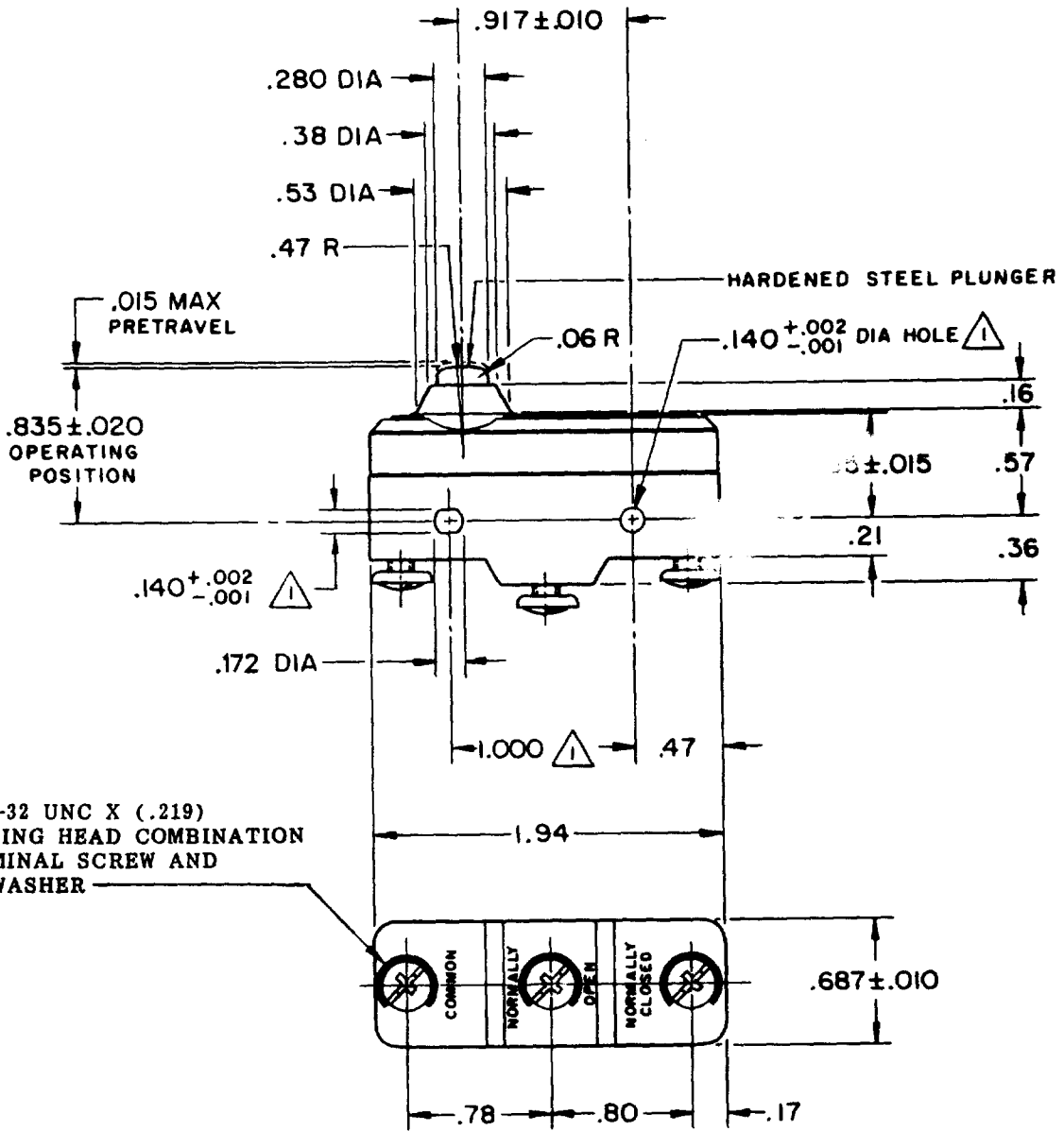
FED. MFG. CODE 91929

**SWITCH - BASIC**

CATALOG LISTING

**BM-1RD33-A2**

**BM-1RD33-A2**  
 REPLACES  
 RELEASE NO. PR-4779  
 DRAWING NUMBER  
 ISSUE 4  
 REVISIONS  
 A CO-73287-J  
 J A L  
 22 NOV 93  
 B CO-77589  
 K D R  
 29 MAR 94  
 C 0035412  
 BS  
 03DEC07  
 ASD  
 CHECK  
 4 FEB 75  
 D/J/W  
 75  
 FEB  
 13  
 R E R  
 DRAWN  
 FO-52848-A

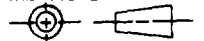


3X 6-32 UNC X (.219)  
BINDING HEAD COMBINATION  
TERMINAL SCREW AND  
CUPWASHER

NOTE -  
 MOUNTING HOLES WILL ACCEPT PINS OR SCREWS  
 OF .139 MAX DIA ON 1.000 ± .002 CENTERS

THIS DRAWING COVERS A PROPRIETARY ITEM AND IS THE PROPERTY OF MICRO SWITCH, A DIVISION OF HONEYWELL. THIS DRAWING IS NOT TO BE COPIED OR USED WITHOUT THE APPROVAL OF MICRO SWITCH.

THIRD ANGLE PROJECTION



<b>CHARACTERISTICS</b>	<b>ELECTRICAL DATA</b>	<b>SCALE FULL</b>																									
		<b>DO NOT SCALE PRINT</b>																									
OPERATING FORCE - - - - - 7-10 OZ	CONTACT ARRANGEMENT S P D T	<b>TOLERANCES</b>																									
RELEASE FORCE - - - - - 4 OZ MIN	CODE L102 22A-125·250 OR 480 VAC 1/4HP-125 VAC; 1/2HP-250 VAC 	APPLY TO DESIGN UNITS. CONVERSIONS ARE ONLY FOR REFERENCE. UNLESS NOTED, TOLERANCES ARE ±																									
DIFFERENTIAL TRAVEL - -.0005-.0010		<table border="1"> <thead> <tr> <th></th> <th>DIM. mm</th> <th>TOL. mm/in</th> <th>DIM. in</th> <th>TOL. mm/in</th> </tr> </thead> <tbody> <tr> <td>NO PLACES</td> <td>X</td> <td>1/.04</td> <td></td> <td></td> </tr> <tr> <td>ONE PLACE</td> <td>X,X</td> <td>0.4/.016</td> <td>X,X</td> <td>0.8/.03</td> </tr> <tr> <td>TWO PLACES</td> <td>X,XX</td> <td>0.15/.006</td> <td>X,XX</td> <td>0.38/.015</td> </tr> <tr> <td>THREE PLACES</td> <td>X,XXX</td> <td></td> <td>X,XXX</td> <td>0.13/.005</td> </tr> </tbody> </table>		DIM. mm	TOL. mm/in	DIM. in	TOL. mm/in	NO PLACES	X	1/.04			ONE PLACE	X,X	0.4/.016	X,X	0.8/.03	TWO PLACES	X,XX	0.15/.006	X,XX	0.38/.015	THREE PLACES	X,XXX		X,XXX	0.13/.005
		DIM. mm	TOL. mm/in	DIM. in	TOL. mm/in																						
NO PLACES	X	1/.04																									
ONE PLACE	X,X	0.4/.016	X,X	0.8/.03																							
TWO PLACES	X,XX	0.15/.006	X,XX	0.38/.015																							
THREE PLACES	X,XXX		X,XXX	0.13/.005																							
OVERTRAVEL - - - - - .060 MIN	DESIGN UNITS <input type="checkbox"/> SI METRIC <input type="checkbox"/> US CUSTOMARY <input checked="" type="checkbox"/>																										
L288 L315 L318	22A 250V ~ T85 5E4	WEIGHT .064 LB																									