
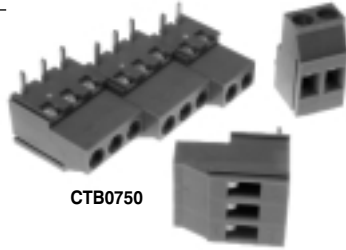


## 5mm Pitch **High Current 90°** Rising Clamp Terminal

### Features

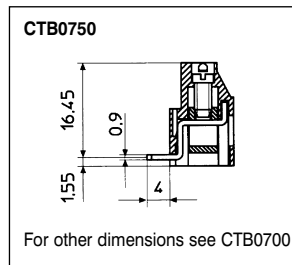
- 2 & 3 pole double interlocking mechanism for increased strength
- 4-12 pole pre-assembled
- Moulded in green UL94-V0 flame retardant PA66
- Professional rising clamp terminals
- 4mm<sup>2</sup> cable entry
-  & CE approved VDE pending
- Guided pin alignment
- Captive screw



| Type No.   | Poles | Length |
|------------|-------|--------|
| CTB0750/2  | 2     | 10mm   |
| CTB0750/3  | 3     | 15mm   |
| CTB0750/4  | 4     | 20mm   |
| CTB0750/5  | 5     | 25mm   |
| CTB0750/6  | 6     | 30mm   |
| CTB0750/7  | 7     | 35mm   |
| CTB0750/8  | 8     | 40mm   |
| CTB0750/9  | 9     | 45mm   |
| CTB0750/10 | 10    | 50mm   |
| CTB0750/11 | 11    | 55mm   |
| CTB0750/12 | 12    | 60mm   |


### Specification

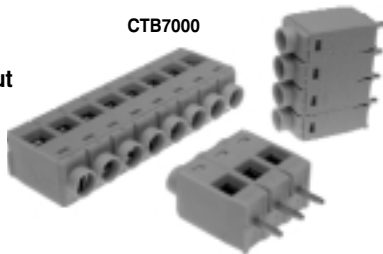
|                           |  |
|---------------------------|--|
| Rating                    | 24A/450V   |
| Dielectric strength       | ≥ 2.5kV/60sec  |
| Insulation resistance     | ≥ 5MΩ  |
| Working temperature       | -20°C to 125°C   |
| Short period              | 160°C  |
| Moulding                  | UL94-V0 flame retardant PA66                               |
| Pin/terminal              | 5μ tinned, nickel plated brass                             |
| Wire clamp                | Nickel plated brass  |
| Screw/torque              | M3 steel, 6μ zinc colour passivated and tropicalised/0.5Nm |
| Recommended PCB hole size | ø1.3mm   |



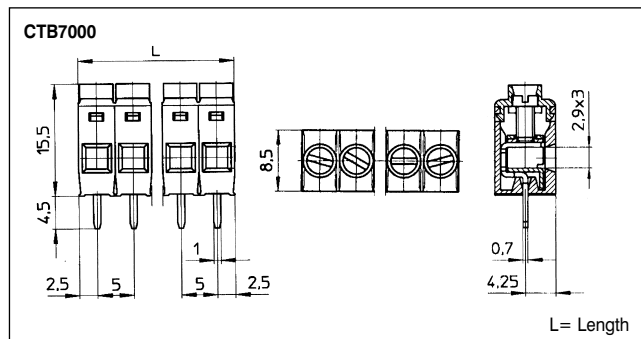
## 5mm Pitch **36 Pole** Rising Clamp Terminal

### Features

- Unique 36 pole strip
- Easily cut to required number of poles
- Can be supplied pre-cut
- Anti solder wicking
- Moulded in grey UL94-V0 flame retardant Lexan
- Professional rising clamp terminals
- 4mm<sup>2</sup> cable entry
- , UL, VDE & CE approved
- Guided pin alignment
- Captive screw



| Type No.   | Poles | Length |
|------------|-------|--------|
| CTB7000/1  | 1     | 5mm    |
| CTB7000/2  | 2     | 10mm   |
| CTB7000/3  | 3     | 15mm   |
| CTB7000/4  | 4     | 20mm   |
| CTB7000/5  | 5     | 25mm   |
| CTB7000/6  | 6     | 30mm   |
| CTB7000/7  | 7     | 35mm   |
| CTB7000/8  | 8     | 40mm   |
| CTB7000/9  | 9     | 45mm   |
| CTB7000/10 | 10    | 50mm   |
| CTB7000/11 | 11    | 55mm   |
| CTB7000/12 | 12    | 60mm   |
| CTB7000/18 | 18    | 90mm   |
| CTB7000/36 | 36    | 180mm  |



### Specification

|                           |  |
|---------------------------|--|
| Rating                    | 17.5A/380V   |
| Dielectric strength       | ≥ 2.5kV  |
| Insulation resistance     | ≥ 5MΩ  |
| Working temperature       | -20°C to 125°C   |
| Short period              | 160°C  |
| Moulding                  | UL94-V0 flame retardant Lexan                                |
| Pin/terminal              | 5μ tinned, nickel plated brass                               |
| Rising clamp              | Zinc plated steel  |
| Screw/torque              | M2.5 steel, 6μ zinc colour passivated and tropicalised/0.4Nm |
| Recommended PCB hole size | ø1.3mm   |

PCB  
TERMINAL  
BLOCKS

FUSES &  
FUSE-  
HOLDERS

BATTERIES

LED'S

MINIATURE  
SWITCHES

INTERFACE  
MODULES &  
SUPPORTS

ENCLOSURES

IC & PLCC  
SOCKETS

RELAY  
BASES

CONTROL  
PRODUCTS