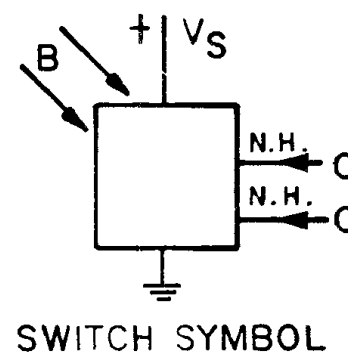
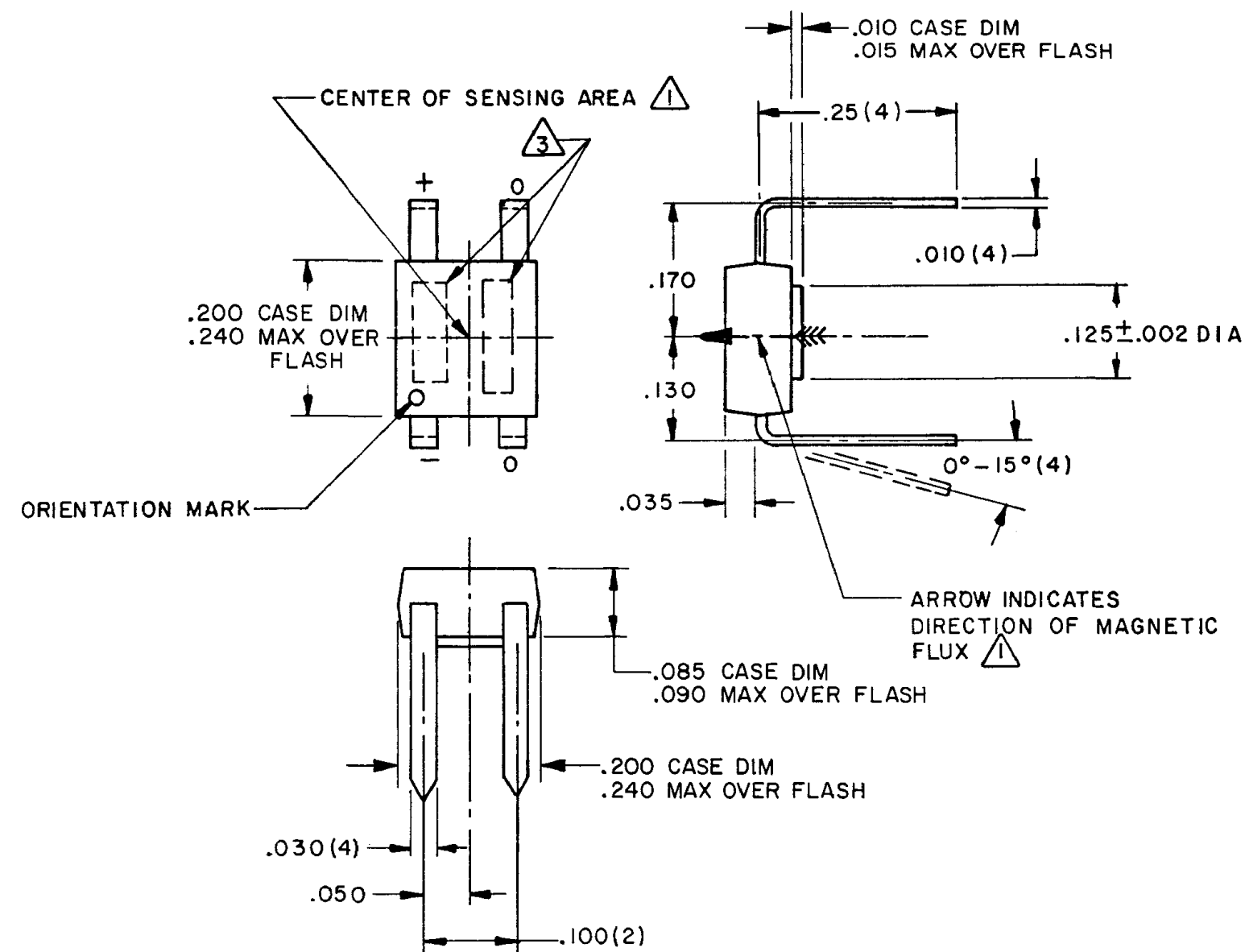


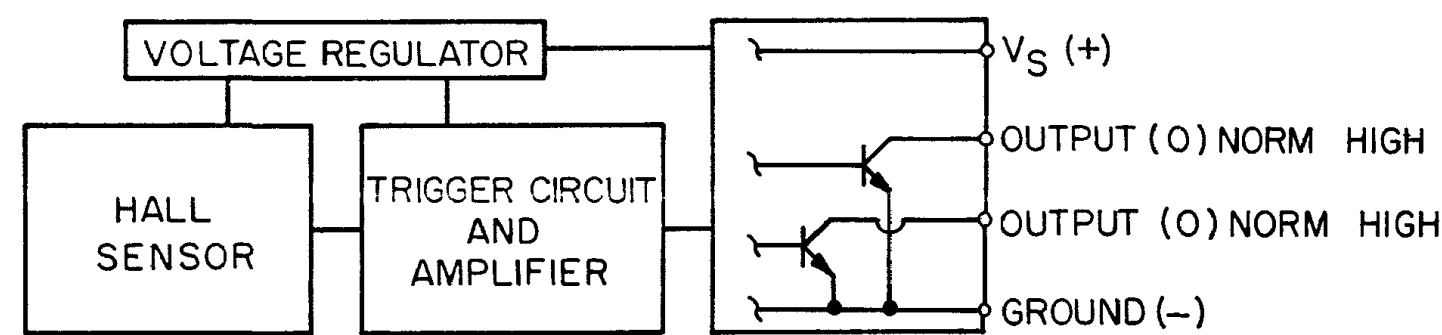
DRAWING NUMBER: 613SS SERIES CHART I
 PAGE 1 OF 1
 ISSUE: 8
 RELEASE NO.: PR-4114
 REVISIONS: A 202218 13 FEB 01
 CHECK: SAV 13 FEB 01
 DRAWN: GRT 13 FEB 01
 RASTER



MAGNETIC CHARACTERISTICS				ISSUE NUMBER	RELEASE NUMBER	CATALOG LISTING
TEMP RANGE	-40°C TO 150°C	-40°C TO 100°C	0°C TO 70°C	5	DR-1212-3	613SS4
OPERATE MAX	495	480	460			
RELEASE MIN	40	120	150			
DIFF MIN	33	33	33	4	PR-4415	613SS2
OPERATE MAX	600	580	560			
RELEASE MIN	50	150	185			
DIFF MIN	40	40	40			
OPERATE MAX						
RELEASE MIN						
DIFF MIN						

ABSOLUTE MAXIMUM RATING

SUPPLY VOLTAGE (V _S)	-1.2 TO +20 VOLTS DC
VOLTAGE EXTERNALLY APPLIED TO OUTPUT	+20.0 VDC MAX WITH SWITCH IN "OFF" CONDITION ONLY -0.5 VOLTS MIN WITH SWITCH IN "OFF" OR "ON" CONDITION
LOAD ON OUTPUT	20MA
TEMPERATURE	-40°C TO +150°C OPERATING
MAGNETIC FLUX	NO LIMIT, THE CIRCUIT CANNOT BE DAMAGED BY MAGNETIC OVERDRIVE



BLOCK DIAGRAM SHOWING CURRENT SINKING OUTPUT

NOTES

- 1 TO ACTUATE THE DEVICE, THE SOUTH POLE OF THE MAGNET OR MAGNETIC FLUX GENERATOR MUST BE PRESENTED TO THE CENTER OF THE FRONT SURFACE OF THE DEVICE. (THIS ASSUMES THE CONVENTION THAT THE DIRECTION OF THE EXTERNAL FLUX OF A MAGNET IS FROM THE NORTH TO THE SOUTH POLE OF THE MAGNET.)
- 2 THE MAGNETIC FIELD STRENGTH (GAUSS) REQUIRED TO CAUSE THE SWITCH TO CHANGE STATE (OPERATE AND RELEASE) WILL BE AS SPECIFIED IN THE OPERATING CHARACTERISTICS. TO TEST THE SWITCH AGAINST THE SPECIFIED OPERATING CHARACTERISTICS, THE SWITCH MUST BE PLACED IN A UNIFORM MAGNETIC FIELD
- 3 CATALOG LISTING AND LOT NO. WILL BE STAMPED ON THE PACKAGE
- 4 AT SUPPLY VOLTAGE OF 6 TO 16 VDC AND OVER THE TEMPERATURE RANGE SPECIFIED
- 5 AT 24 ± 2°C
- 6 V_S IS THE UNREGULATED SUPPLY VOLTAGE

ELECTRICAL CHARACTERISTICS

	MIN	TYP	MAX	REMARKS
SUPPLY CURRENT		3 mA 5 mA	10.0 mA 10.0 mA	PLUS LOAD CURRENT V _S = 6 VOLTS V _S = 16 VOLTS
OUTPUT VOLTAGE (OPERATED)		0.15 VOLTS	0.4 VOLTS	SINKING 10 MA MAX
OUTPUT LEAKAGE CURRENT (RELEASED)			10 μA	LEAKAGE INTO SWITCH OUTPUT
OUTPUT SWITCHING TIME (SINKING 10MA)				
RISE TIME		0.2 μs	1.5 μs	10% TO 90%
FALL TIME		0.1 μs	0.5 μs	90% TO 10%

THIS DRAWING COVERS A PROPRIETARY ITEM AND IS THE PROPERTY OF MICRO SWITCH, A DIVISION OF HONEYWELL. THIS DRAWING IS NOT TO BE COPIED OR USED WITHOUT THE APPROVAL OF MICRO SWITCH.

MICRO SWITCH
a Honeywell Division
FED. MFG. CODE 91929

SOLID STATE SWITCH
MAGNETICALLY OPERATED

CATALOG LISTING
613SS SERIES
CHART I

THIRD ANGLE PROJECTION
SCALE
DO NOT SCALE PRINT
UNLESS OTHERWISE SPECIFIED TOLERANCES ARE
ONE PLACE (.0) ±.030
TWO PLACES (.00) ±.015
THREE PLACES (.000) ±.005
ANGLES ±
WEIGHT