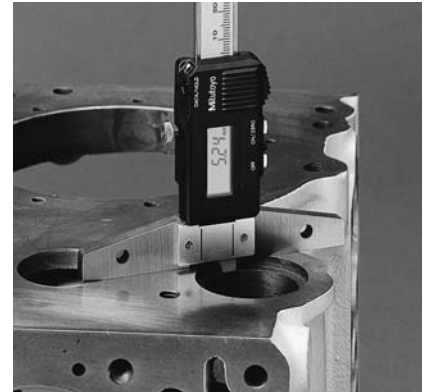


Absolute Digimatic Depth Gages

SERIES 571



DEPTH GAGES

571-201-10

FEATURES

- Models up to 300mm (8") range are ABS Digimatic Depth Gages, so that they keep track of the origin point once set for the entire life of the battery.
- Base and measuring faces are hardened and micro-lapped.
- Functions available: Zero-setting, Data hold, SPC data output, inch/mm conversion (on Inch/Metric model only).
- Power supply: One SR44 battery (938882).
- Wider extension bases are available as optional accessory.

SPECIFICATIONS

Metric			
Range	Order No.	Resolution	Accuracy
0 - 150mm	571-201-10	0.01mm	±0.02mm
0 - 200mm	571-202-10	0.01mm	±0.02mm
0 - 300mm	571-203-10	0.01mm	±0.03mm
0 - 450mm	571-204-10	0.01mm	±0.05mm
0 - 600mm	571-205-10	0.01mm	±0.05mm
0 - 750mm	571-206-10	0.01mm	±0.06mm
0 - 1000mm	571-207-10	0.01mm	±0.07mm

Excluding quantizing error

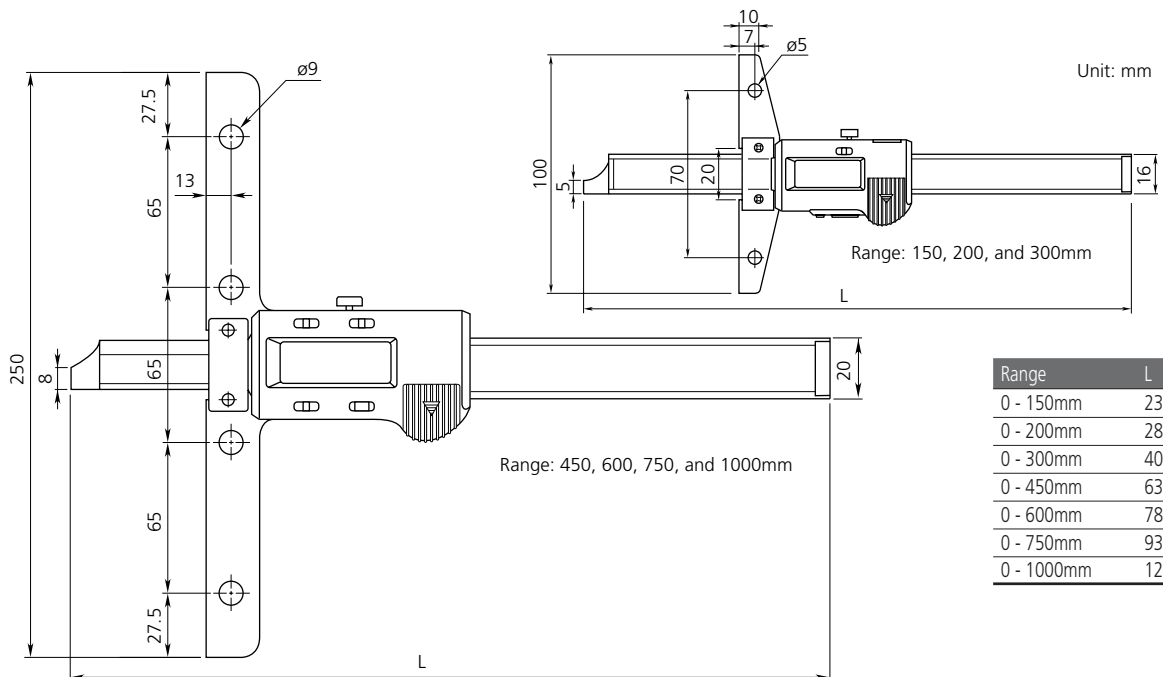
OPTIONAL ACCESSORIES

Order No.	Description
959143	Data Hold Unit for ABS Digimatic Depth Gage
959149	SPC cable with data switch (1m)
959150	SPC cable with data switch (2m)
(See page 71.)	Extension Bases

Inch/Metric			
Range	Order No.	Resolution	Accuracy
0 - 6"/150mm	571-211-10	.0005"/0.01mm	±.001"
0 - 8"/200mm	571-212-10	.0005"/0.01mm	±.001"
0 - 12"/300mm	571-213-10	.0005"/0.01mm	±.0015"
0 - 18"/450mm	571-214-10	.0005"/0.01mm	±.002"
0 - 24"/600mm	571-215-10	.0005"/0.01mm	±.002"
0 - 30"/750mm	571-216-10	.0005"/0.01mm	±.0025"
0 - 40"/1000mm	571-217-10	.0005"/0.01mm	±.003"

Excluding quantizing error

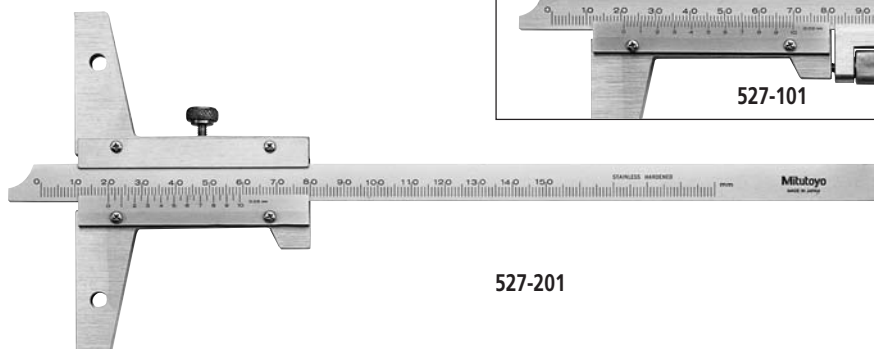
Dimensions



Range	L
0 - 150mm	237
0 - 200mm	287
0 - 300mm	403
0 - 450mm	635
0 - 600mm	785
0 - 750mm	935
0 - 1000mm	1200

Vernier Depth Gages

SERIES 527



With fine adjustment

527-201

FEATURES

- Made of hardened stainless steel.
- Base and measuring faces are hardened and micro-lapped.
- Wider extension bases are available. (See page 71.)

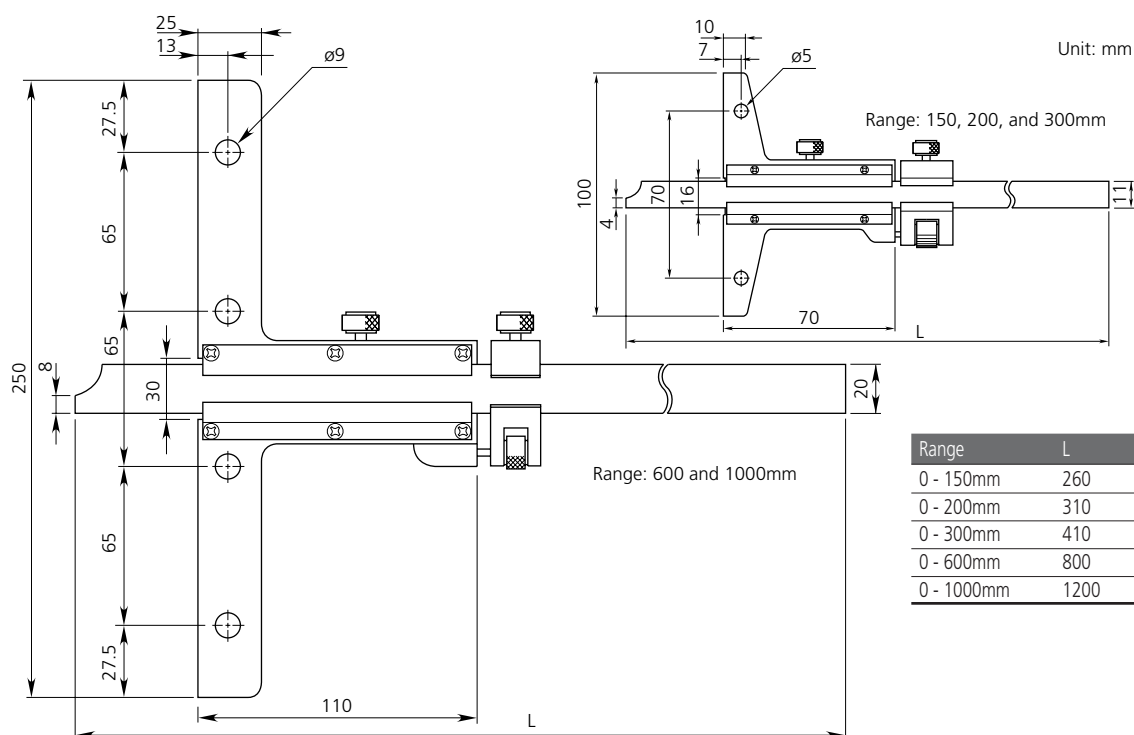
SPECIFICATIONS

Metric			
Range	Order No.	Vernier reading	Accuracy
0 - 150mm	527-201	0.05mm	±0.05mm
	527-121	0.02mm	±0.03mm
0 - 200mm	527-202	0.05mm	±0.05mm
	527-122	0.02mm	±0.03mm
0 - 300mm	527-203	0.05mm	±0.08mm
	527-123	0.02mm	±0.04mm
0 - 600mm	527-204	0.05mm	±0.10mm
0 - 1000mm	527-205	0.05mm	±0.15mm

Metric With fine adjustment			
Range	Order No.	Vernier reading	Accuracy
0 - 150mm	527-101	0.02mm	±0.03mm
0 - 200mm	527-102	0.02mm	±0.03mm
0 - 300mm	527-103	0.02mm	±0.04mm
0 - 600mm	527-104	0.02mm	±0.05mm
0 - 1000mm	527-105	0.02mm	±0.07mm

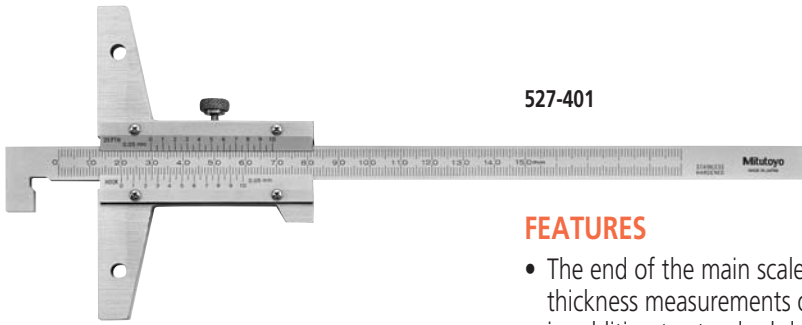
Inch With fine adjustment			
Range	Order No.	Vernier reading	Accuracy
0 - 6"	527-111	.001"	±.001"
0 - 8"	527-112	.001"	±.001"
0 - 12"	527-113	.001"	±.0015"
0 - 24"	527-114	.001"	±.002"
0 - 40"	527-115	.001"	±.003"

Dimensions



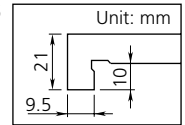
Vernier Depth Gages

SERIES 527 — Hook Type



527-401

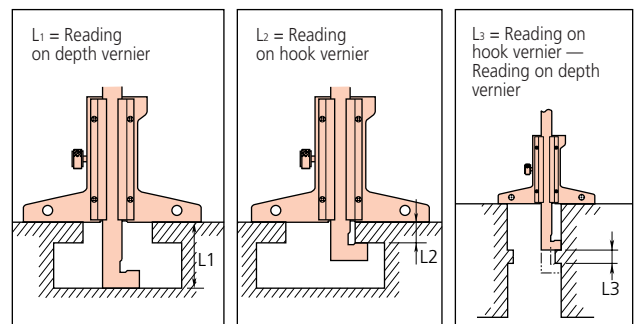
Dimensions



FEATURES

- The end of the main scale is hook-shaped to allow depth and thickness measurements of a projected portion or lip in a hole, in addition to standard depth measurement.
- With or without a fine-adjustment carriage.
- Extension Bases are available.

Applications



SPECIFICATIONS

Metric

Range	Order No.	Vernier reading	Accuracy
0 - 150mm	527-401	0.05mm	±0.05mm
0 - 200mm	527-402	0.05mm	±0.05mm
0 - 300mm	527-403	0.05mm	±0.08mm

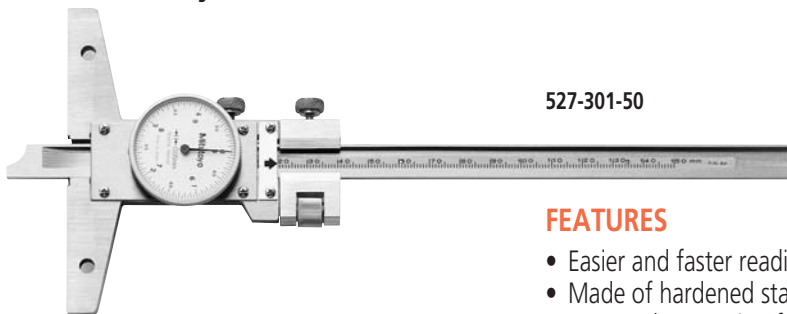
Metric

With fine adjustment

Range	Order No.	Vernier reading	Accuracy
0 - 150mm	527-411	0.02mm	±0.03mm
0 - 200mm	527-412	0.02mm	±0.03mm
0 - 300mm	527-413	0.02mm	±0.04mm

Dial Depth Gages

SERIES 527 — with Fine Adjustment

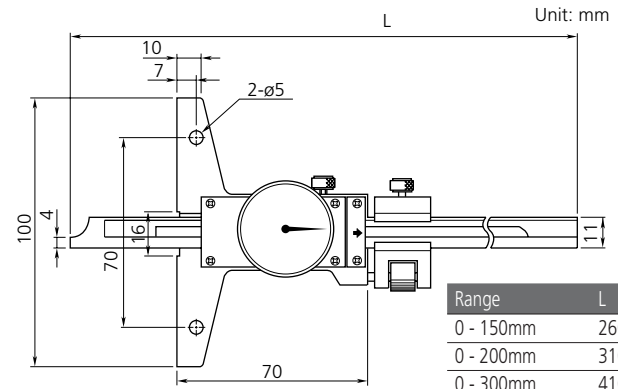


527-301-50

FEATURES

- Easier and faster reading Depth Gage.
- Made of hardened stainless steel.
- Base and measuring faces are hardened and micro-lapped.
- Extension Bases are available.

Dimensions



Range	L
0 - 150mm	260
0 - 200mm	310
0 - 300mm	410

SPECIFICATIONS

Metric

Range	Order No.	Dial reading	Accuracy
0 - 150mm	527-301-50	0.05mm	±0.05mm
0 - 200mm	527-302-50	0.05mm	±0.05mm
0 - 300mm	527-303-50	0.05mm	±0.08mm

Inch

Range	Order No.	Dial reading	Accuracy
0 - 6"	527-311-50	.001"	±.001"
0 - 8"	527-312-50	.001"	±.001"
0 - 12"	527-313-50	.001"	±.0015"

Extension Bases



900372

FEATURES

- Attached to the base (reference face) plate of a Depth Gauge to extend its span.
- Note: These extension bases cannot be attached to 600mm (24") and 1000mm (40") range Depth Gages.

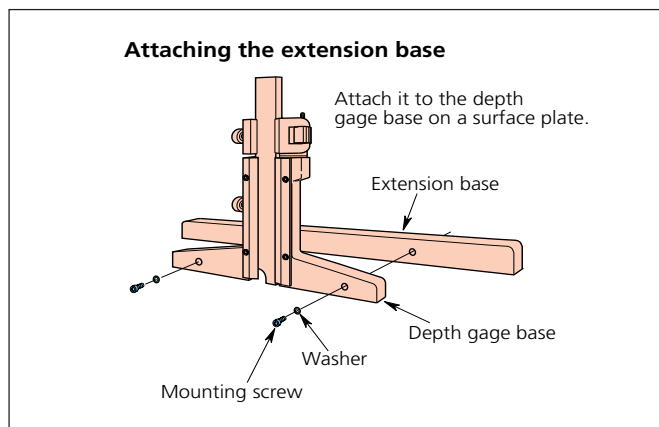
SPECIFICATIONS

Metric

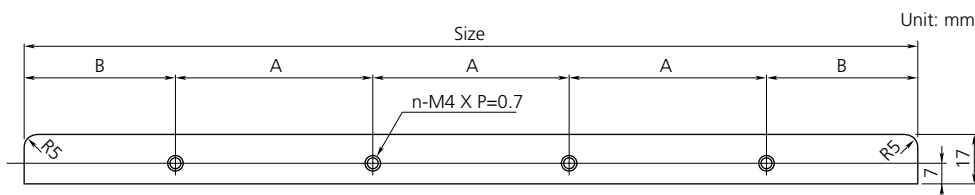
Size	Order No.	Dimension A	Dimension B	n
180mm	900370	70mm	55mm	2
260mm	900371	35mm	60mm	5
320mm	900372	70mm	55mm	4

Inch

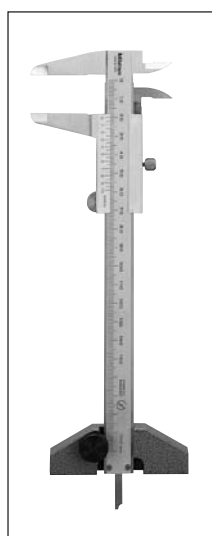
Size	Order No.	Dimension A	Dimension B	n
7"	900367	2.76"	2.17"	2
10"	900368	1.38"	2.36"	5
12"	900369	2.76"	2.17"	4



Dimensions



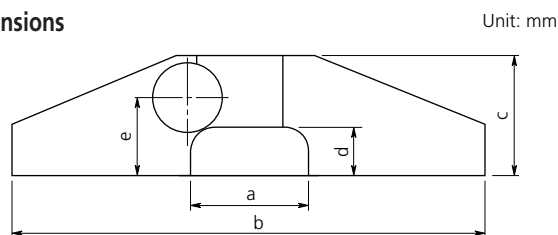
Depth Base Attachment



SPECIFICATIONS

Size	Order No.	Description
75mm	050083	For 100mm, 150mm, and 200mm models
100mm	050084	For 100mm, 150mm, and 200mm models
125mm	050085	For 300mm models only

Dimensions



Size	a	b	c	d	e
75mm	25	75	24.5	9	16
100mm	25	100	24.5	9	16
125mm	30	125	28.5	11.5	20

FEATURES

- For 100mm (4"), 150mm (6"), 200mm (8"), and 300mm (12") Mitutoyo Vernier and Dial Calipers which have a depth measuring bar.
- Finely ground base surface and secure locking clamp.

