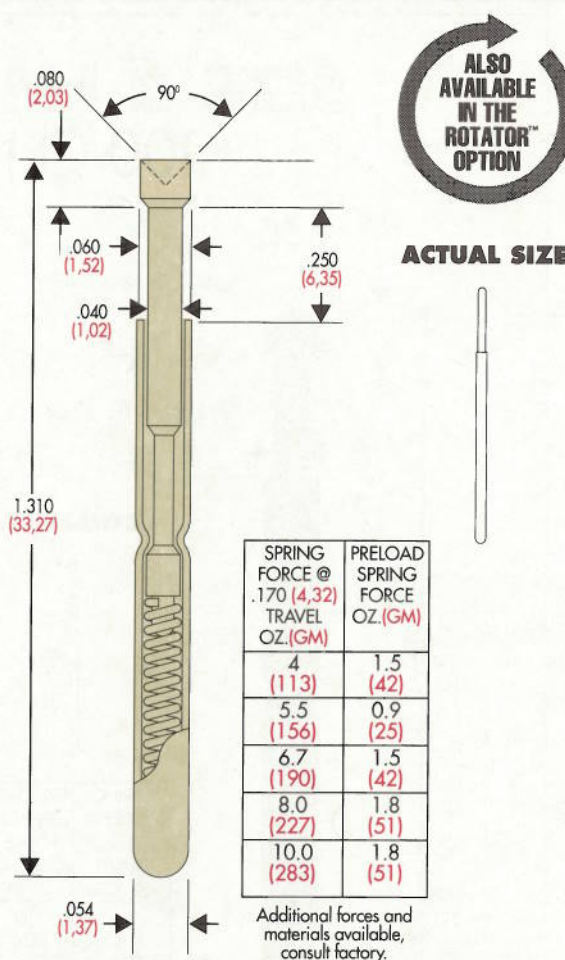


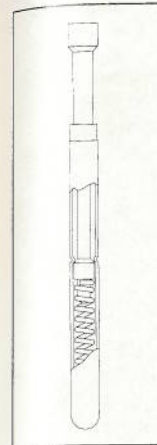
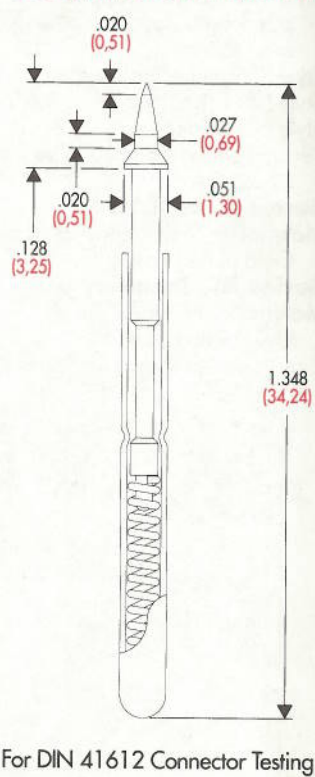
SERIES S, SIZE 25 .100 CENTERS

- S25A** 90° .060 (1,52)
- S25B** 30° .040 (1,02)
- S25C** OPTIONAL STEEL .040 (1,02)
- S25D** .050 (1,27)
- S25E** 90° .060 (1,52)
- S25F** .060 (1,52)
- S25G** 90° .040 (1,02)
- S25H** 90° .060 (1,52)
- S25HK** .075 (1,91)
- S25HL** .093 (2,36)
- S25J** .040 (1,02)
- S25K** 45° .060 (1,52)
- S25LM** 90° .060 (1,52)
- S25T** 60° .060 (1,52)
- S25U** STEEL PLUNGER .040 (1,02)
- S25V** .060 (1,52)
- S25W** .050 (1,27)
- S25X** 34° 0.25 DIA. .060 (1,52)
- S25Y** .055 (1,40)
- S25NT** .056 (1,42)

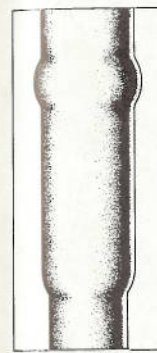


ALSO AVAILABLE IN THE ROTATOR™ OPTION

SIZE 25 MC CONNECTOR PROBE



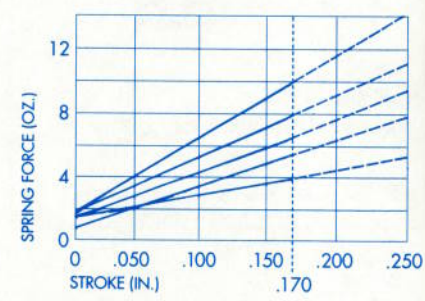
The SX series probe improves pointing accuracy by a minimum of 50%. It's designed with a reduced working clearance between the plunger shaft and the inside diameter of the barrel. For more information, see the Source Book page 107.



The RX Receptacle features a long alignment bulge, detailed here, which maintains concentricity of receptacle and mounting hole during installation. For more information, see the Source Book page 107.

PROBE TECHNICAL SUMMARY

Recommended Minimum Centers — .100 (2,54)
Current Rating — 3 amps continuous
Spring Force — 4, 5.5, 6.7, 8 or 10 oz. @ .170 (4,32) travel
Recommended Working Travel — .170 (4,32)
Materials —
Contact Barrel: See Probe Option Section, Page 35
Spring: Music wire, precious metal plated (Stainless Steel available in 4 and 6.7 oz.)
Plunger: Full-hard beryllium copper gold plated over nickel (or optional rhodium plated over nickel.)



- S25FX** 25° .013 (0,33) STEEL
- S25SN** 10° .030 (0,76) STEEL
- S25SP** 32° .040 (1,02) STEEL
- S25HT** .025 inside (0,64) .040 outside (1,02)
- S25H4T** .023 outside (0,58) .040 inside (1,02)
- S25UT** .011 inside (0,28) .040 outside (1,02)

Economy Probes, Series SE

Contact Barrel: Nickel/silver.
HOW TO ORDER: SE25A 4 G

Silver Probes, Series SUE

Contact Barrel: Nickel/silver, silver plated.
HOW TO ORDER: SUE25A 4 G

Standard Probes, Series S

Contact Barrel: Nickel/silver, gold plated.
HOW TO ORDER: S25A 4 G

RF Soldered Probe Option

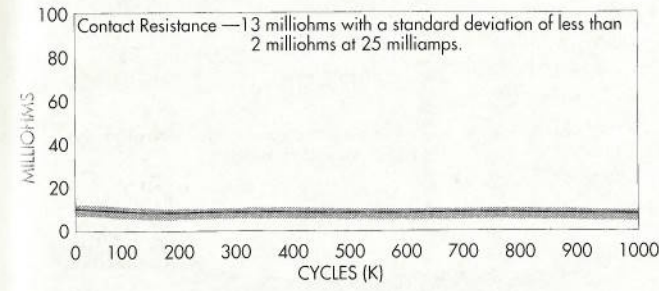
Available in all series except economy.
HOW TO ORDER: S25A 4 G CS

Pylon Replacement Probe, Series SP
 Specify: SP25A-4-G

PROBE OPTION INFORMATION

DuraGold
 Contact Barrel: DuraGold.
 For ultra-low resistance levels.
 Only from IDI.

HOW TO ORDER: S25A 4 DG



Resistance for DuraGold is shown on this page. See page 44 for additional resistance on Economy, Silver, Standard and RF Soldered.

HOW TO ORDER:

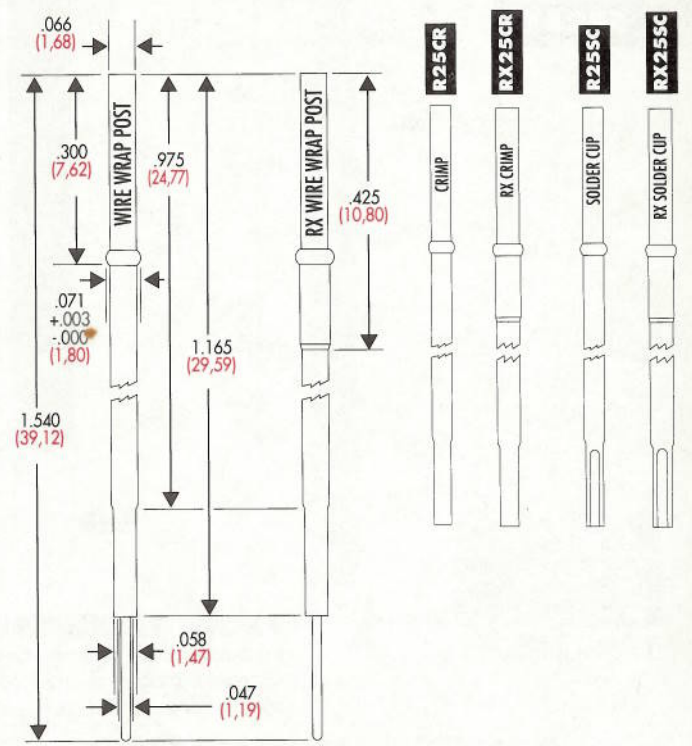
Order from the part numbers listed above and specify the optional characteristic of the category.

Example:
 Spring Contact Probe — S25A 4 G Example: Receptacle — R25CR
 Rated Spring Force — 4 G
 Plunger Plating — G

TO ORDER: TEL 913-342-5544 FAX 913-342-7043

RECEPTACLE SIZE 25

Connections —
 Style WW: Wire Wrapped .375 (9,53) post length standard, other lengths available
 Style RP: Connector insertion
 Style CR: Crimp
 Style SC: Solder Cup
 Recommended Crimped Wire Size: 22-26 GA
Series R, Standard
 Material — Nickel/silver, gold plated
 Gold plated post
Series RE, Economy
 Material — Nickel/silver
 Gold plated post
 Dimensions as shown for Series R.



- R25WW** .025 (0,64) Square Post
- R25RP** .025 (0,64) Round Post
- RX25WW** .025 (0,64) Square Post
- RX25RP** .025 (0,64) Round Post

Drill Size: #50
 Mounting Hole Size: .068/.070 (1,73/1,78)

Specifications subject to change without notice.
 Dimensions in inches (millimeters)

SPRING CONTACT PROBE OPTIONS:

- DuraGold—DG
 - Standard Probes—S
 - Silver Probes—SUE
 - Economy Probes—SE
 - RF Soldered Probes—CS (at end of number)
 - Pylon Replacement—SP
 - Facron Replacement—SF
 - CRIMPING PLIERS — CP25
 - INSERTION TOOL — RT25
- Rated Spring Force (in oz.)—4
 (in oz.)—5.5
 (in oz.)—6.7
 (in oz.)—8
 (in oz.)—10
 Plunger Plating (Gold)—G
 (Rhodium)—R