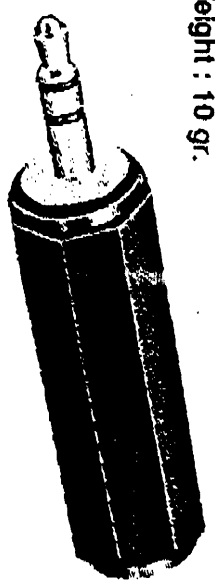
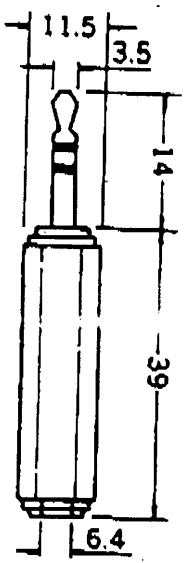


152 394 / 393 / 395

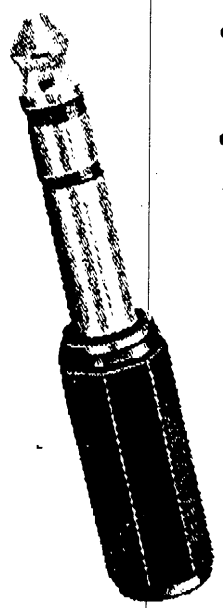
MOLDED ADAPTOR 3-CONDUCTOR
MINIATURE PLUG TO 3-CONDUCTOR
1/4" STEREO JACK
Net Weight : 10 gr.



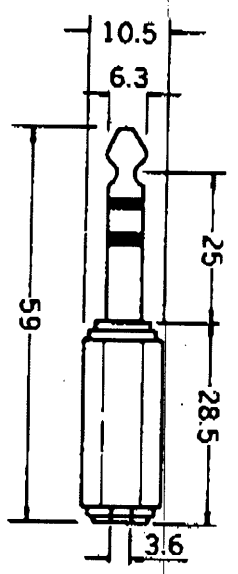
4832 4300



MOLDED ADAPTOR 3-CONDUCTOR 1/4" PLUG
TO 3-CONDUCTOR MINIATURE JACK
Net Weight : 12 gr.



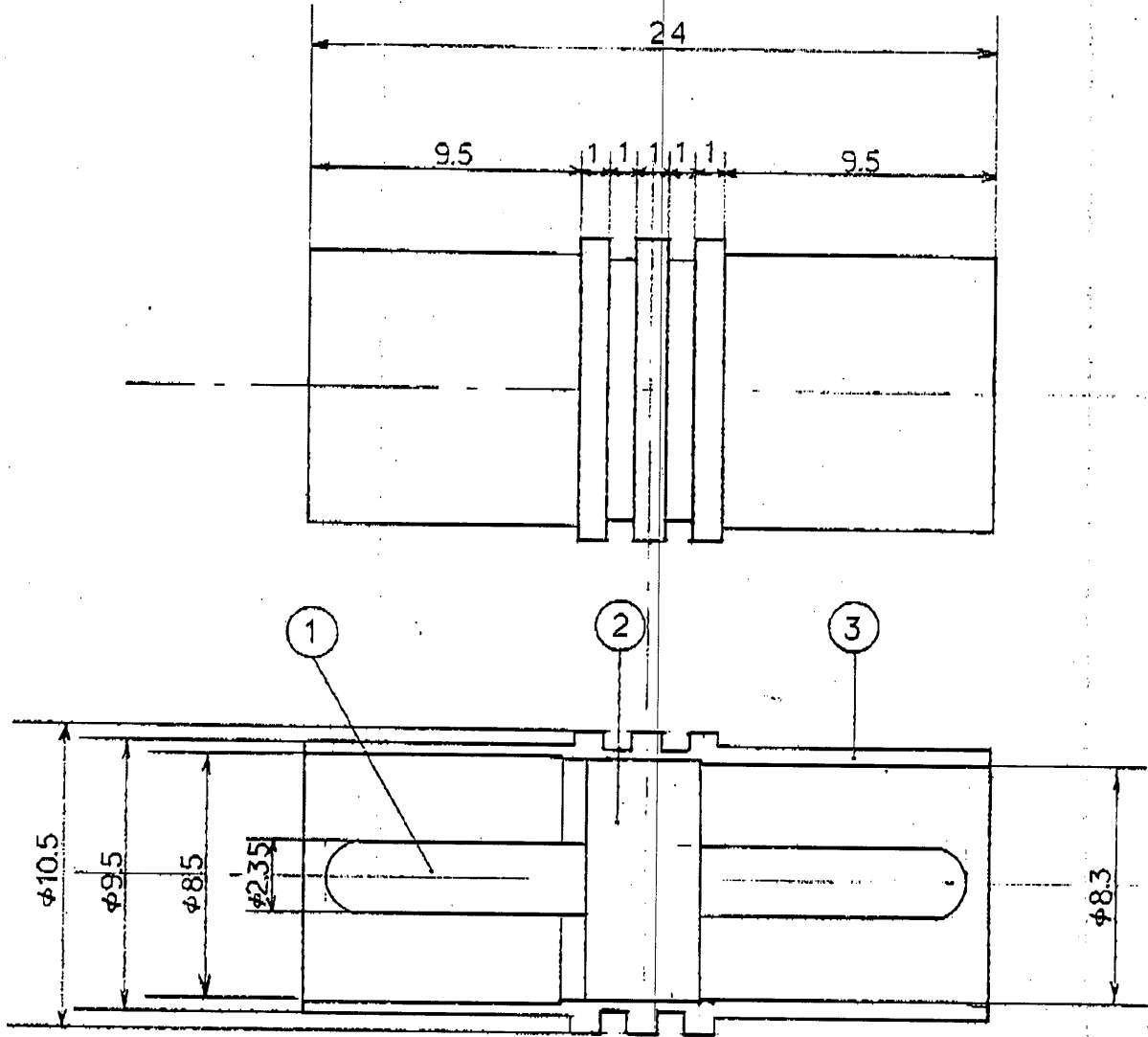
4833 4300



SCHURTER LTD
Durban Road
Bognor Regis
West Sussex
PO22 9RX U.K.

SCHURTER
Electronic and Electrical Components

4890.4251



3	BODY	1	BSBM	Ni
2	INSULATOR	1	PA	
1	PIN	1	BSBM	Ni
LET	PART NAME	QTY	MATERIAL	FINISH

<ul style="list-style-type: none"> ⚠ ⚠ ⚠ ⚠ ⚠ ⚠ ⚠ 	TRIG.	SCALE	TOLERANCE	DESIG.	DRAW	INSPE	APPR.
		4/1	DATE		N.D.		
	MODEL (型式)	QTY.	PART NAME (品名)				
	MATERIAL (材料)		MVA1 4890.4251				
FINISH (処理)		DRAW. NO. (図番)				REV.(改版)	

SCHURTER LTD

SCHURTER