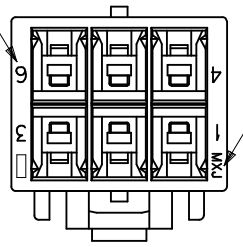
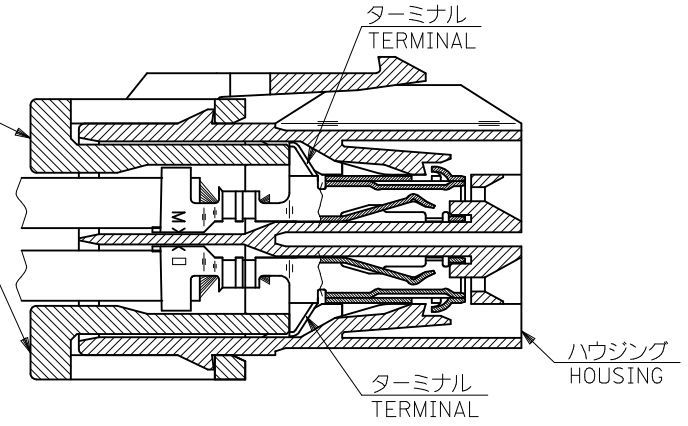


回路番号  
CKT.NO.

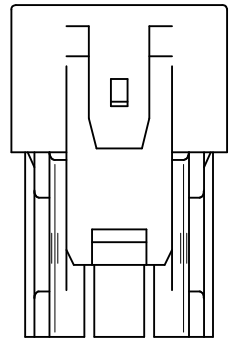
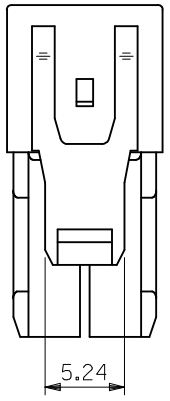
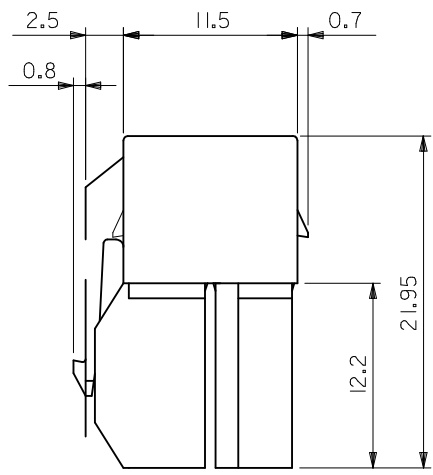


トレードマーク  
TRADE MARK

リテーナー  
RETAINER



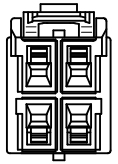
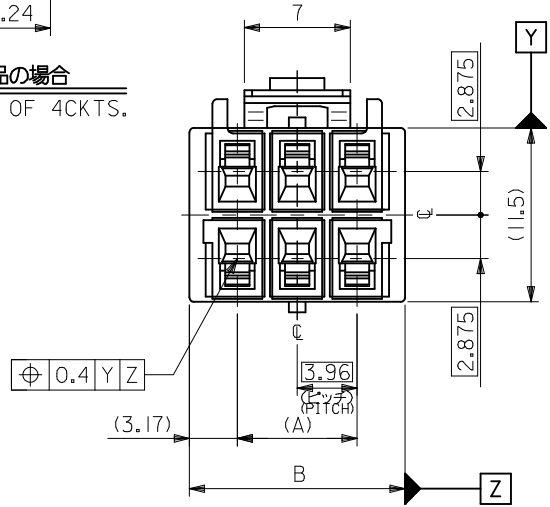
ターミナル及びリテーナー装着状態図  
TERMINAL & RETAINER ASSEMBLY DRAWING.



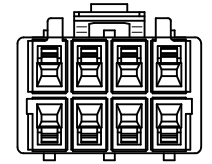
注記 NOTE

1. 適合ターミナル : 50597,50598 シリーズ  
APPLICABLE TERMINAL : 50597,50598 SERIES.
2. 適合リテーナー : 51140 シリーズ  
APPLICABLE RETAINER : 51140 SERIES.
3. 嵌合相手 : 53720,53727,51139(6極)シリーズ  
MATE WITH : 53720,53727,51139(6p) SERIES.

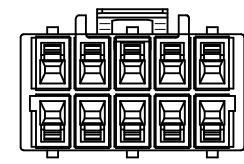
4極品の場合  
IN CASE OF 4CKTS.



4極品  
4CKTS.



8極品  
8CKTS.



10極品  
10CKTS.

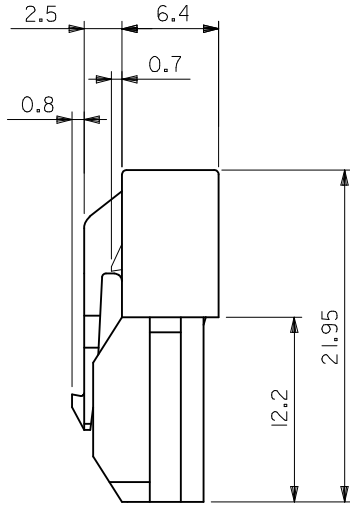
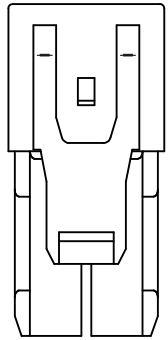
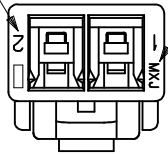
各種レイアウト図  
LAYOUT OF EACH CKTS.

18.22	11.88	51138-0800	8
14.26	7.92	51138-0600	6
10.3	3.96	51138-0400	4
B	A	ENG. NO.	極数 NO. OF CKT.

REVISED EC NO: J2009-1196 DRWN: YOSHIDAM 2008/12/01 CHKD: THARUYAMA 2008/12/01 APPR: NUKITA 2008/12/08	GENERAL TOLERANCES (UNLESS SPECIFIED)		DIMENSION STYLE MM ONLY		SCALE ---	DESIGN UNITS METRIC	THIRD ANGLE PROJECTION
	10 UNDER	±0.2	DRAWN BY H. HASEGAWA	DATE '95/12/15	TITLE 3.96 W/W & W/B REC HSG		
	10 OVER 30 UNDER	±0.25	CHECKED BY S. KUNISHI	DATE '98/04/14	MOLEX INCORPORATED		
	30 OVER	±0.3	APPROVED BY M. FUKUSHIMA	DATE '98/04/14	DOCUMENT NO. SD-51138-001	SHEET NO. 1 OF 2	
ANGULAR ±3 °	DRAFT WHERE APPLICABLE MUST REMAIN WITHIN DIMENSIONS		THIS DRAWING CONTAINS INFORMATION THAT IS PROPRIETARY TO MOLEX INCORPORATED AND SHOULD NOT BE USED WITHOUT WRITTEN PERMISSION				

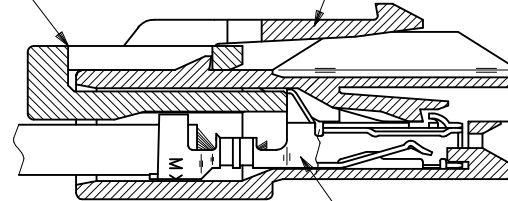
回路番号  
CKT.NO.

トレードマーク  
TRADE MARK



リテーナー  
RETAINER

ハウジング  
HOUSING



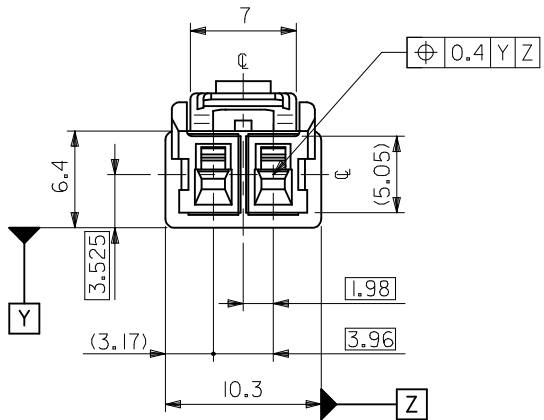
ターミナル  
TERMINAL

ターミナル及びリテーナー装着状態図  
TERMINAL & RETAINER ASSEMBLY DRAWING.

注記 NOTE

- 適合ターミナル：50597,50598 シリーズ  
APPLICABLE TERMINAL : 50597,50598 SERIES.
- 適合リテーナー：51140 シリーズ  
APPLICABLE RETAINER : 51140 SERIES.
- 嵌合相手：51139 シリーズ  
MATE WITH : 51139 SERIES.

2極に適用  
FOR 2 CKTS.



51138-0200	2
ENG. NO.	極数 NO. OF CKT.

REVISED EC NO: J2009-1196 DRWN: YOSHIDAM 2008/12/01 CHKD: THARUYAMA 2008/12/01 APPR: NUKITA 2008/12/08	GENERAL TOLERANCES (UNLESS SPECIFIED)	DIMENSION STYLE MM ONLY	SCALE ---	DESIGN UNITS METRIC	THIRD ANGLE PROJECTION
	10 UNDER ±0.2	DRAWN BY T. ASAKAWA	DATE '97/03/27	TITLE 3.96 W/W & W/B REC HSG SHEET 2 OF 2	
	10 OVER 30 UNDER ±0.25	CHECKED BY S. KUNISHI	DATE '97/03/27	MOLEX INCORPORATED	
	30 OVER ±0.3	APPROVED BY M. FUKUSHIMA	DATE '97/03/27	DOCUMENT NO. SD-51138-001	SHEET NO. 2 OF 2
ANGULAR ±3 °	DRAFT WHERE APPLICABLE MUST REMAIN WITHIN DIMENSIONS	SEE TABLE	THIS DRAWING CONTAINS INFORMATION THAT IS PROPRIETARY TO MOLEX INCORPORATED AND SHOULD NOT BE USED WITHOUT WRITTEN PERMISSION		
SIZE A3					