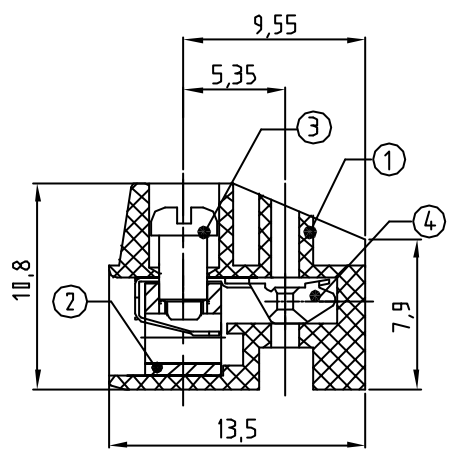
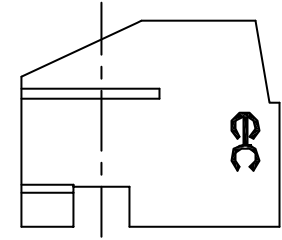
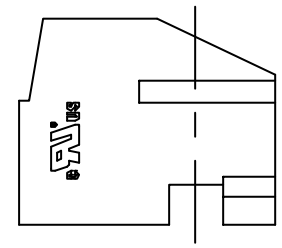
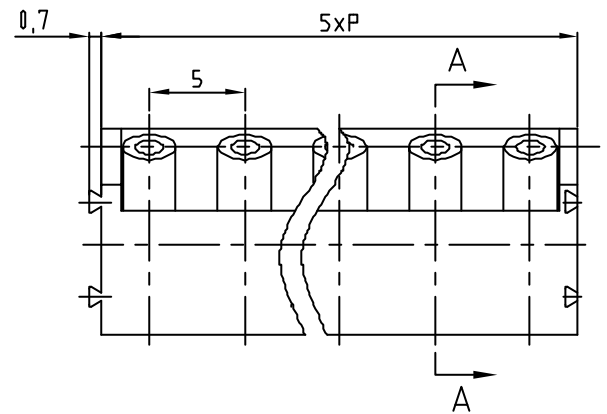
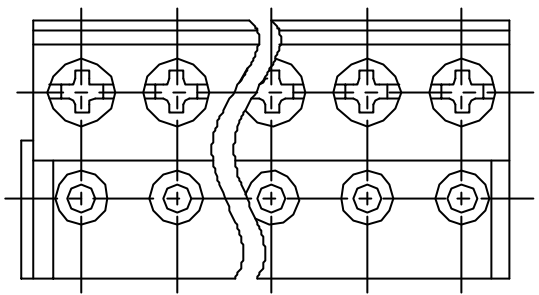


used for:



Section A -- A



NOTES:

- 1, Rating: 300V 10A;
- 2, Insulation Withstands Voltage: AC150 V/MIN
- 3, Insulation Resistance: 1000MΩ or more at DC500V
- 4, Using Temperature Range: -40°C--+105°C
- 5, Screw Torque Value: 4.4kg-cm<sup>2</sup>
- 6, Suitable Electric Wire: 14-20AWG

4	CLAMP	0018M1100	P	QSn6.5-0.1	Ni-Plated
3	SCREW	S111112500	P	STEEL	Zinc-Plated
2	BLOCK	C111111000	P	HPb59-1	Ni-Plated
1	Housing	0018P00200	1	PBT G21	UL94 V-0
ITEM	NAME OF PART	NO OF PART	Q'TY	MATERIAL	NDTE
DWG.	CHENR	DATE	2004/12/16	UNTS	MM
CHK.		DATE		SCALE	1:1
APP.		DATE		NAME 20.130M (LEAD FREE)	
				DWG NO.	

Pitch range in mm					Nominal dimension range in mm				radius chamfer		short angle side			=		□		//				
z	8	16	24	32	1.5	3	6	3.0	12.0	1.5	3	6	10	5.0	12.0	all	all	5	3.0	12.0		
to	to	to	to	to	to	to	to	to	to	to	to	to	to	to	to	to	to	to	to	to	to	
±1.18	±1.13	±1.08	±1.23	±1.28	±1.1	±1.1	±1.2	±1.3	±1.5	±1.2	±1.5	±1	1°	30'	21'	18'	0.2	0.5	0.125	0.16	0.12	0.4

REV.	CONTENT	CHK.	DATE



Grid lines: A-F (vertical), 1-8 (horizontal)