

H MICRO SWITCH
 FREEPORT, ILLINOIS, U.S.A.
 A DIVISION OF HONEYWELL
 FED. MFG. CODE 91929

SWITCH-TOGGLE

CATALOG LISTING
4TL1 SERIES
CHART 1

THIS DRAWING COVERS A PROPRIETARY ITEM AND IS THE PROPERTY OF MICRO SWITCH, A DIVISION OF MINNEAPOLIS-HONEYWELL REGULATOR CO. THIS DRAWING IS NOT TO BE COPIED OR USED WITHOUT THE APPROVAL OF MICRO SWITCH.

4TL1 SERIES
CHART 1

M

DRAWING
NUMBER

ISSUE 25

REVISIONS

A CO-81150
JAK
20 JUN 95

CHECK

14 JAN 66

CHECK

14 JAN 66

CHECK

14 JAN 66

CHECK

14 JAN 66

CHECK

14 JAN 66

CHECK

14 JAN 66

CHECK

14 JAN 66

CHECK

14 JAN 66

CHECK

14 JAN 66

CHECK

14 JAN 66

CHECK

14 JAN 66

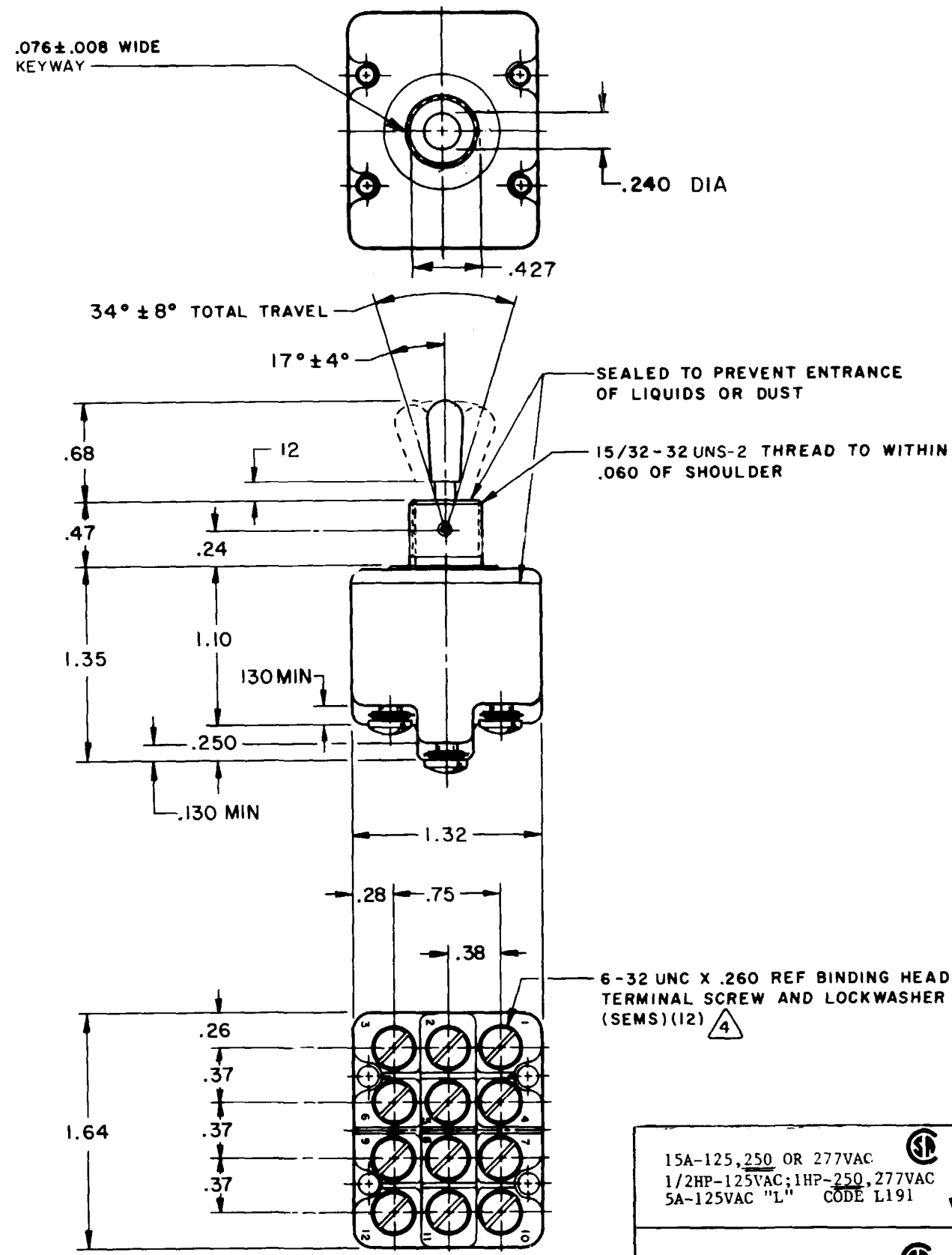
CHECK

14 JAN 66

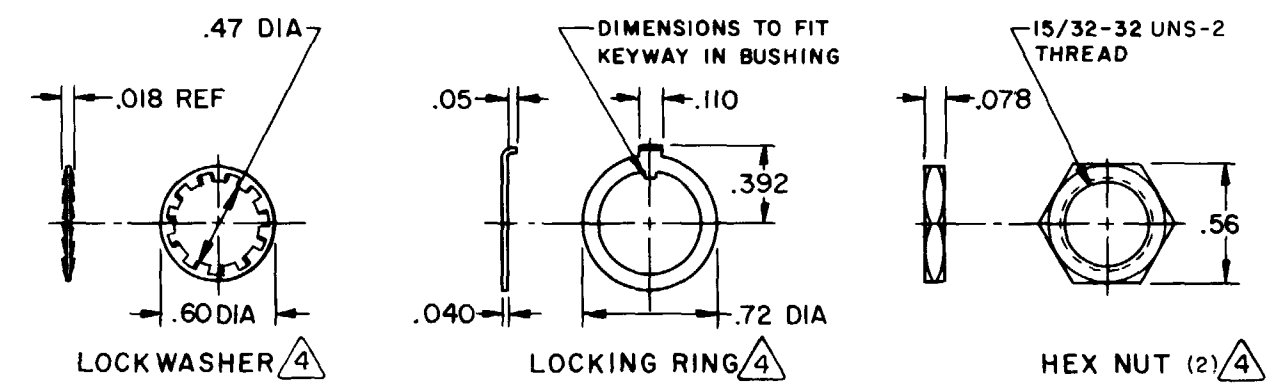
CHECK

14 JAN 66

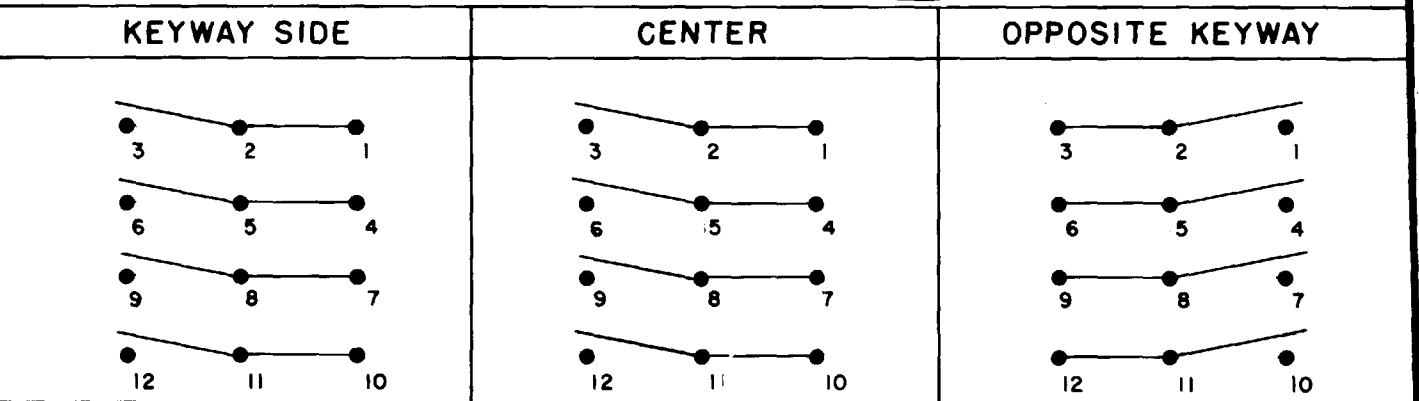
CHECK



CAT. LIST.	CIRCUIT WITH TOGGLE IN			MILITARY RATING (AMPS)								MS NUMBER	
	EXTREME POSITION KEYWAY SIDE	CENTER	EXTREME POSITION OPPOSITE KEYWAY	RESISTIVE LOAD			LAMP LOAD		INDUCTIVE LOAD		CONTINUOUS		
				DC VOLTS	AC VOLTS		28 VDC	125 VAC	28 VDC	125 VAC			
4TL1-1	ON	OFF	ON									MS24525-21	
4TL1-2	OFF	NONE	ON									MS24525-22	
4TL1-3	ON	NONE	ON									MS24525-23	
4TL1-21	NONE	OFF	ON	20	.75	.5	15	6	5	4	12	15	MS24525-24
4TL1-31	NONE	ON	ON										MS24525-33
(REFER TO L191 FOR UL RATING)													
4TL1-4	MOM OFF	NONE	ON										MS24525-29
4TL1-5	MOM ON	OFF	ON										MS24525-31
4TL1-6	MOM ON	NONE	OFF										MS24525-30
4TL1-7	MOM ON	OFF	MOM ON										MS24525-27
4TL1-8	MOM ON	NONE	ON										MS24525-26
(REFER TO L192 FOR UL RATING)													
4TL1-51	NONE	ON	MOM ON	18	.75	.5	11	6	4	2	10	8	MS24525-32
4TL1-61	MOM ON	OFF	NONE										MS24525-28



CIRCUIT DIAGRAM



- NOTE-
- SWITCHES ARE CAPABLE OF WITHSTANDING A TEMPERATURE OF 160° F CONTINUOUSLY AT FULL RATED LOAD
 - CIRCUIT DESIGNATION, MICRO SWITCH CATALOG LISTING, AND MS NUMBER MARKED ON SIDE OF SWITCH
 - FOR TERMINAL COVER SEE MICRO SWITCH CATALOG LISTING 5PA9
 - FURNISHED UNASSEMBLED
 - THESE SWITCHES ARE QUALIFIED UNDER MIL-S-3950
 - CIRCUIT DIAGRAMS APPLY ONLY TO "ON" AND "MOM ON" POSITIONS

15A-125, 250 OR 277VAC
 1/2HP-125VAC; 1HP-250, 277VAC
 5A-125VAC "L" CODE L191

10A-125, 250, 277 VAC
 1/4HP-125VAC; 1/2HP-250, 277VAC
 3A-125VAC "L" CODE L192

SCALE FULL

DO NOT SCALE PRINT

UNLESS OTHERWISE SPECIFIED TOLERANCES ARE

ONE PLACE	(.0)	±.030
TWO PLACE	(.00)	±.015
THREE PLACE	(.000)	±.005
ANGLES		±