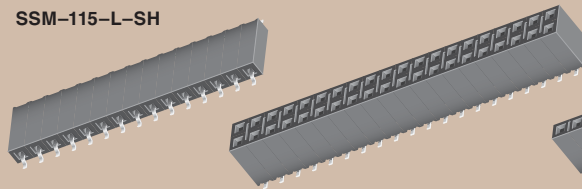


SSM-115-L-SH



SSM-120-S-DV

SSM-116-S-SV

Surface
SMT
Mount

.025^{SQ} SMT SOCKET SSM SERIES

Mates with:
TSW, MTSW, TST,
TSS, ZST, ZSS, DW,
EW, ZW, TSM

SPECIFICATIONS

For complete specifications and recommended PCB layouts see www.samtec.com?SSM

Insulator Material:
Black Liquid
Crystal Polymer



Contact Material:
Phosphor Bronze

Plating: Au, PdNi or
Sn over 50µ" (1,27µm) Ni

Current Rating:

3A @ 80°C ambient (-DV/-SV mated with TSM-DV)

4A @ 80°C ambient (-DH/-SH mated with TSW-D)

Voltage Rating:

475 VAC (-SV/-DV mated with TSW)

450 VAC (-SH/-DH mated with TSM)

Operating Temp Range:

-55°C to +125°C with Gold

-55°C to +105°C with Tin

Contact Resistance:

10 mΩ max

Insertion Depth:

SV/DV is (4,34mm) .171" to (7,24mm) .285" or pass-through from top; (5,56mm) .219" plus board thickness minimum from bottom; SH/DH is (4,34mm) .171" to (6,35mm) .250"

Insertion Force:

(Single contact only)

5oz (1,39N) average

Normal Force:

125 grams (1,21N) average

Withdrawal Force:

(Single contact only)

2oz (0,56N) average

RoHS Compliant:

Yes

Processing:

Max Processing Temp:

230°C for 60 seconds, or

260°C for 20 seconds 3x

Lead-Free Solderable:

Yes

-DH Coplanarity:

Less than 28 positions

(0,15mm) .006" max

More than 27 positions

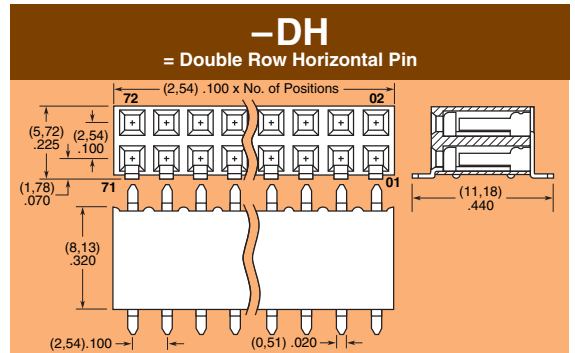
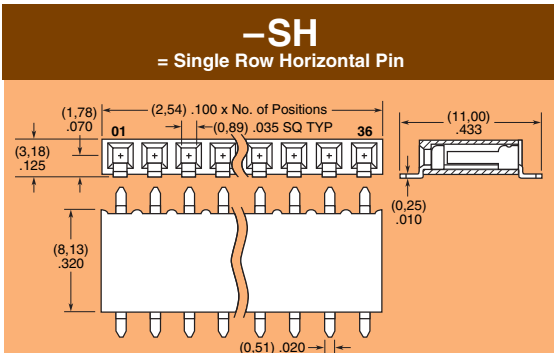
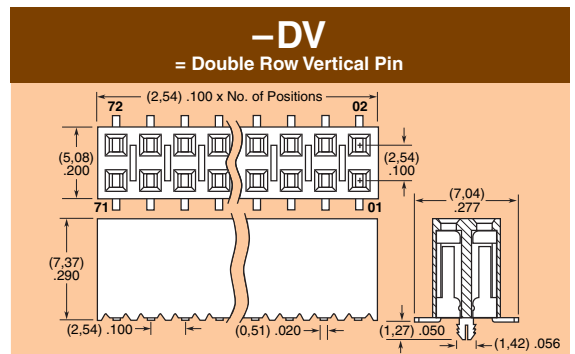
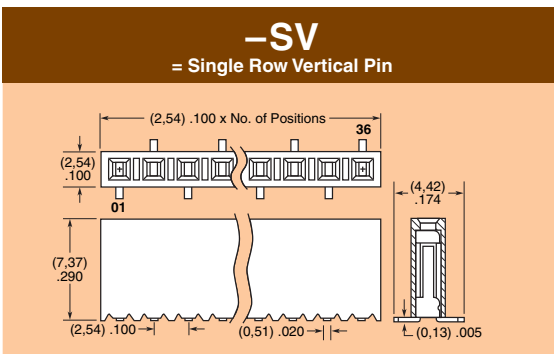
(0,20mm) .008" max

-SH, -SV, -DV Coplanarity:

(0,15mm) .006" max

Note: Some lengths, styles and options are non-standard, non-returnable.

SSM	1	NO. PINS PER ROW	PLATING OPTION	ROW OPTION	OTHER OPTION
02 thru 36 (-SV, -SH, -DH)			-L = 10µ" (0,25µm) Gold on contact, Matte Tin on tail		-BE = Bottom Entry (-DV & -SV only)
02 thru 40 (-DV)			-S = 30µ" (0,76µm) Gold on contact, Matte Tin on tail		-M = Metal Pick & Place Pad (5 positions min.) -DV only
APPLICATION SPECIFIC OPTION					-LC = Locking Clip (-DV & -SV only) Contact Samtec for -DH & -SH
Alignment Pin available. Call Samtec.					-K = (6,50mm) .256" DIA Polyimide film Pick & Place Pad (5 positions min.) -DV & -SV only
APPLICATIONS			APPLICATION		-P = Plastic Pick & Place Pad (-DV & -SV only) (5 pos. minimum)
TSM TSSH			Pass-Through TSM SSM		-"XXX" = Polarized Position (-BE not available)
HORIZONTAL					-TR = Tape & Reel Packaging (29 positions max.)



Due to technical progress, all designs, specifications and components are subject to change without notice.

WWW.SAMTEC.COM