

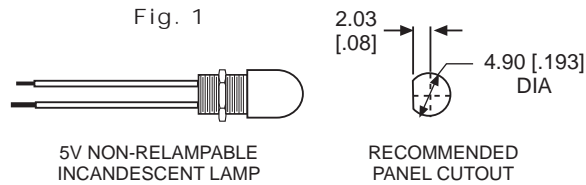
MILITARY PANEL MOUNT INDICATORS

ALL INDICATORS MEET OR EXCEED
MILITARY SPECIFICATION MIL-L-3661B

252 SERIES FOR 0.193" MOUNTING HOLE

| PART NO. | MIL DESIG. | COLOR | FIG. |
|---------------|------------|-------|------|
| 252-9951-0937 | LHC82/1CN2 | CL | 1 |
| 252-9951-0971 | LHC82/1RT2 | R | 1 |
| 252-9951-0972 | LHC82/1GT2 | G | 1 |
| 252-9951-0973 | LHC82/1YT2 | Y | 1 |
| 252-9951-0974 | LHC82/1BT2 | BL | 1 |
| 252-9951-0975 | LHC82/1WT2 | WH | 1 |

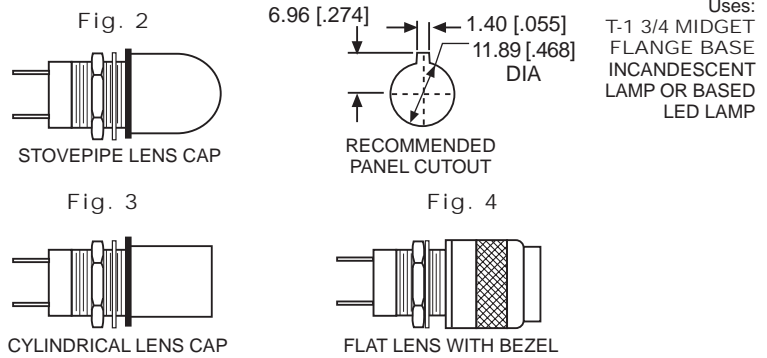
LHC82/1 SUPERCEDES MS25446



359 & 360 SERIES FOR 15/32" MOUNTING HOLE

| PART NO.* | MIL DESIG. | COLOR | FIG. |
|-------------------|-----------------|-------|------|
| 359-8430-0931-502 | LH73/1, LC12RN2 | R | 2 |
| 359-8430-0932-502 | LH73/1, LC12GN2 | G | 2 |
| 359-8430-0933-502 | LH73/1, LC12YN2 | Y | 2 |
| 359-8430-1431-502 | LH73/1, LC29RN2 | R | 3 |
| 359-8430-1432-502 | LH73/1, LC29GN2 | G | 3 |
| 359-8430-1433-502 | LH73/1, LC29YN2 | Y | 3 |
| 360-8430-0331-502 | LH73/1, LC11RN2 | R | 4 |
| 360-8430-0332-502 | LH73/1, LC11GN2 | G | 4 |
| 360-8430-0333-502 | LH73/1, LC11YN2 | Y | 4 |

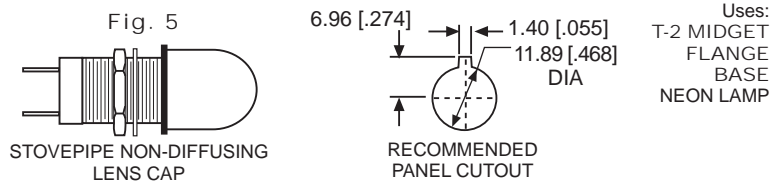
LH73/1, LC12RN2 SUPERCEDES MS25256



361 SERIES FOR 15/32" MOUNTING HOLE

| PART NO.* | MIL DESIG. | COLOR | FIG. |
|-------------------|-----------------|-------|------|
| 361-8836-0931-552 | LH74/1, LC13RN2 | R | 5 |
| 361-8836-0933-552 | LH74/1, LC13YN2 | Y | 5 |
| 361-8836-0937-552 | LH74/1, LC13CN2 | CL | 5 |

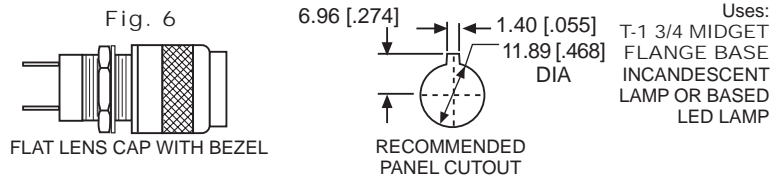
LH74/1, LC13RN2 SUPERCEDES MS25257



363 SERIES FOR 15/32" MOUNTING HOLE

| PART NO.* | MIL DESIG. | COLOR | FIG. |
|-------------------|-----------------|-------|------|
| 363-8430-0331-502 | LH73/2, LC25RN2 | R | 6 |
| 363-8430-0332-502 | LH73/2, LC25GN2 | G | 6 |
| 363-8430-0333-502 | LH73/2, LC25YN2 | Y | 6 |

FOR RFI/EMI APPLICATIONS



367, 368 & 369 SERIES FOR 15/32" MOUNTING HOLE • OILTIGHT†

| PART NO.* | MIL DESIG. | COLOR | FIG. |
|---------------------|-----------------|-------|------|
| 367-8430-0931-503** | LH89/1, LC35RN2 | R | 7 |
| 367-8430-0932-503 | LH89/1, LC35GN2 | G | 7 |
| 367-8430-0933-503** | LH89/1, LC35YN2 | Y | 7 |
| 368-8430-0111-203 | LH89/1, LC36RD2 | R | 8 |
| 368-8430-0112-203 | LH89/1, LC36GD2 | G | 8 |
| 368-8430-0113-203 | LH89/1, LC36YD2 | Y | 8 |
| 369-8430-0111-203 | LH89/1, LC37RD2 | R | 9 |
| 369-8430-0112-203 | LH89/1, LC37GD2 | G | 9 |
| 369-8430-0113-203 | LH89/1, LC37YD2 | Y | 9 |

† See Page 14 for Oiltight information

* Cap and bases ordered separately; for complete military part number listing, please see military index on Pages 32 & 33

Neon and incandescent lamp information on pages 35 and 36.

Based LED lamp information on Pages 37 through 40.

Dimensions in mm [inches]

