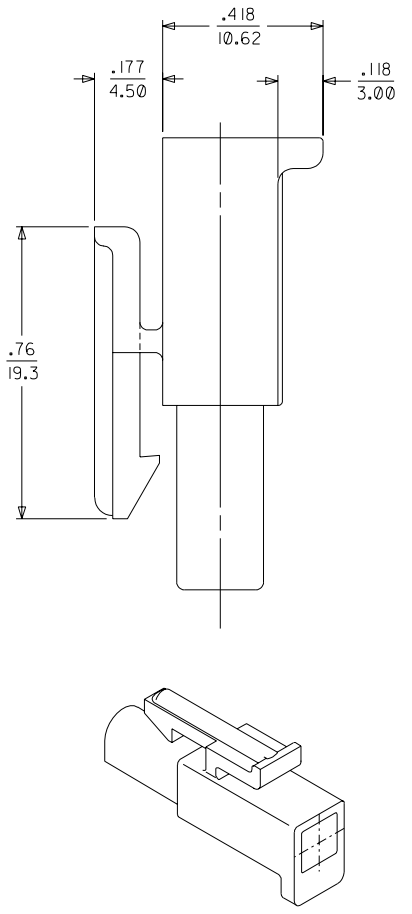
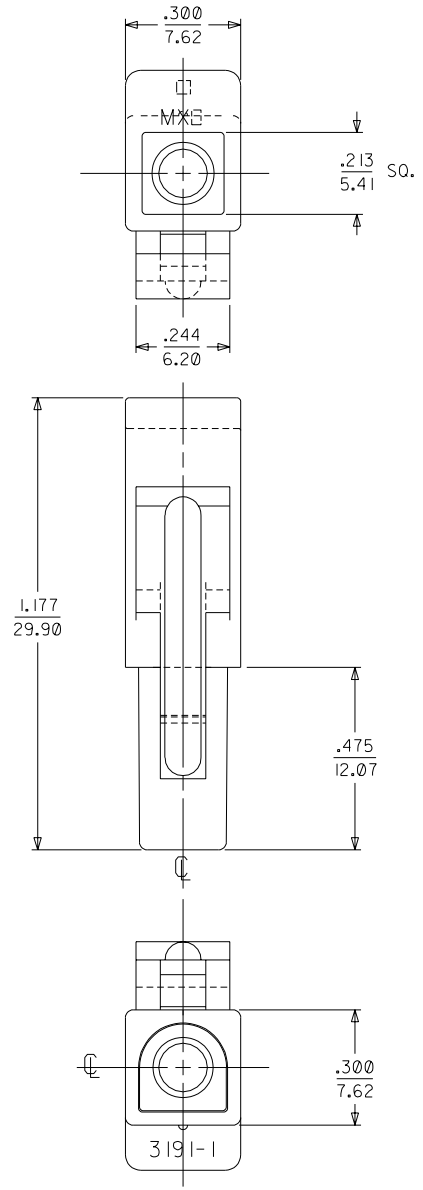


PLUG



RECEPTACLE

OBSOLETE 3191-1R1RD EC NO. LUCP2004-0423 DRWN: ELHAG 09/03/03 CHK: ELHAG 09/03/03 APPR: FSMITH 09/10/03	QUALITY SYMBOLS	GENERAL TOLERANCES: (UNLESS SPECIFIED)	SCALE 4 : 1	DESIGN UNITS <input type="checkbox"/> mm <input checked="" type="checkbox"/> INCH	THIRD ANGLE PROJECTION <input type="checkbox"/> mm <input checked="" type="checkbox"/> INCH <input type="checkbox"/> mm ONLY
	MAJOR $\nabla = 0$	4 PLACES $\pm 0.---$ $\pm .---$	DRAWN BY & DATE JBS 06/10/03	TITLE: .093/(2.36) HOUSING, PLUG AND RECEPTACLE, 1 - CIRCUIT	
CRITICAL $\nabla C = 0$	3 PLACES $\pm 0.$ $\pm .010$	2 PLACES $\pm 0.25$ $\pm .014$	CHECKED BY & DATE BW 06/13/03	MATERIAL NO. DRAWING NO. SD-3191-1*	
	1 PLACE $\pm 0.36$ $\pm .$	ANGULAR: $\pm 1^\circ$	APPROVED BY & DATE BW 06/16/03	SHEET NO. 1 of 2	
REV E	DESCRIPTION	DRAFT WHERE APPLICABLE MUST REMAIN WITHIN DIMENSIONS	CAD FILENAME SD-3191-1.DGN	THIS DRAWING CONTAINS INFORMATION THAT IS PROPRIETARY TO MOLEX INCORPORATED AND SHOULD NOT BE USED WITHOUT WRITTEN PERMISSION.	

2	E
1	E
SHT	REV
REVISE ON CAD ONLY	

PLUG		RECEPTACLE		OBSOLETE
PART NO.	ENG. NO.	PART NO.	ENG. NO.	
19-09-2018	3191-IP	19-09-1019	3191-IR1	
19-09-2019	3191-IP1	19-09-1016	3191-IR1-201	
19-09-2017	3191-IP-201	19-09-6010	3191-IRIRD	
19-09-2016	3191-IP1-201	19-09-6011	3191-IRIBU	
19-09-2015	3191-IPRD			

**LEGEND**

3191-|\*\*\*\*-\*

CIRCUIT SIZE

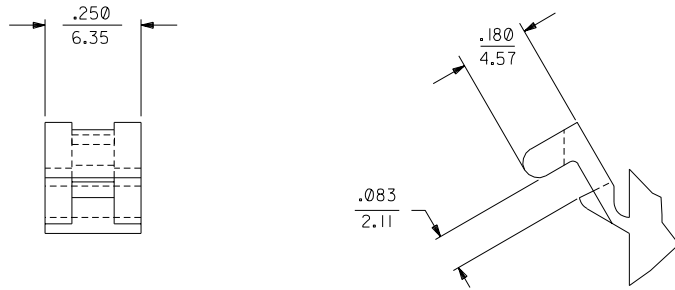
P = PLUG  
R = RECEPTACLE

EARS: BLANK = WITH PREBENT EARS (PLUG ONLY)  
I = WITHOUT EARS

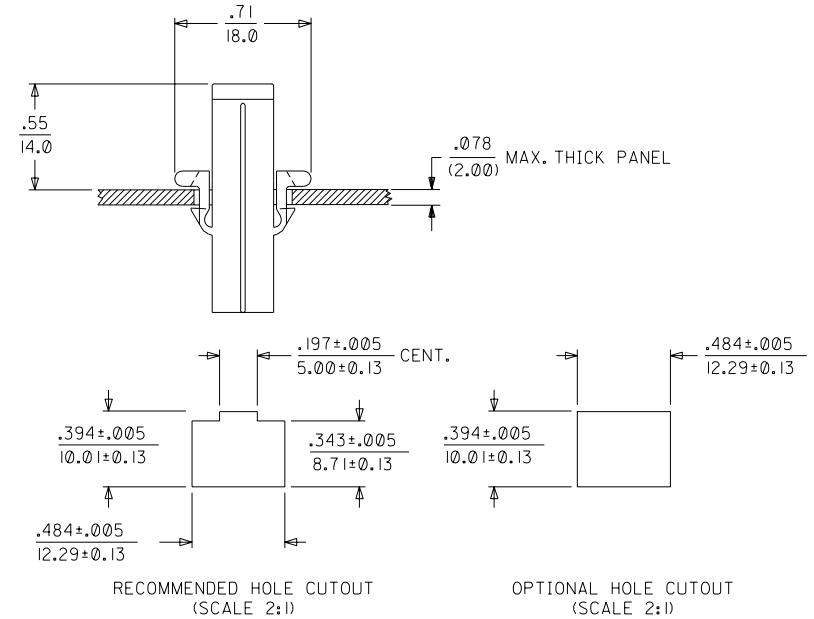
COLOR: BLANK = NATURAL COLOR

AM=AMBER BK=BLACK BU=BLUE  
BN=BROWN GY=GRAY GN=GREEN  
OR=ORANGE RD=RED YW=YELLOW

MATERIAL: PER NOTE 1.



**DETAIL "A"**  
PREBENT MOUNTING EAR  
(SCALE 4:1)



**NOTES:**

- MATERIAL:  
"BLANK" - NYLON TYPE 6/6, 94V-2. COLOR: NATURAL.  
201 - NYLON TYPE 6/6, 94V-0. COLOR: WHITE.
- FINISH: NONE.

DIMENSIONS SHOWN (METRIC INCH)	
UNLESS OTHERWISE SPECIFIED TOLERANCES: ANGULAR ± .04°   0	
5 PLACE ± .010	---
2 PLACE ± .014	± 0.25
1 PLACE ---	± 0.36
DRAFT WHERE APPLICABLE MUST REMAIN WITHIN DIMENSIONS	
DRWG. BY: JBS	CHK'D. BY: BW
APP'D. BY: BW	SCALE: ---:---

▽ = 0	▼ = 0	REVISE ONLY ON CAD SYSTEM
TITLE: .093/(2.36) HOUSINGS PLUG AND RECEPTACLE I CIRCUIT		
MOLEX INCORPORATED U.S.A.	SHEET NO. 2	DATE 06/10/03
PART NO. SD-3191-1*	DRWG. NO.	
SEE CHART		
THIS DRAWING CONTAINS INFORMATION THAT IS PROPRIETARY TO MOLEX INC. AND SHOULD NOT BE USED WITHOUT WRITTEN PERMISSION.		

LTR.	REVISIONS	LTR.	REVISIONS
		E	SEE SHEET 1
		D4	SEE SHEET 1