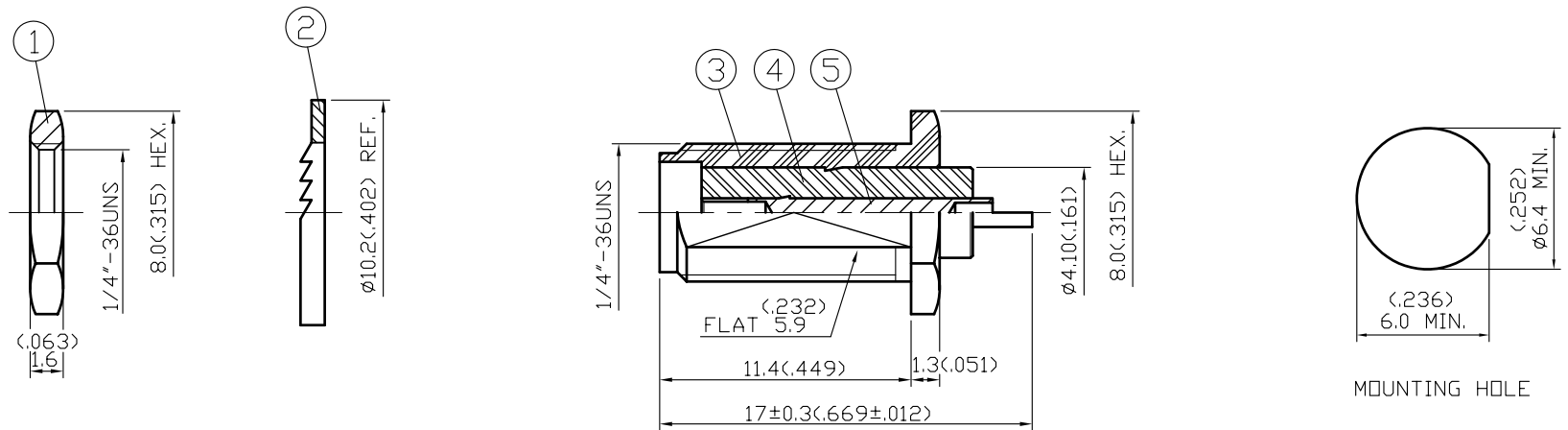


NO	DESCRIPTION	DATE
1	BACKGROUND FORMAT UPDATED	06.25.02



NOTES: UNLESS OTHERWISE SPECIFIED

1. BODIES: BRASS PER JIS-C3604
2. CENTER CONTACT: BERYLLIUM COPPER PER JIS-C1730B
3. INSULATION: TEFLON PER ASTM D1457 AND ASTM D1710
4. CONNECTOR INTERFACE PER MIL-STD-348A
5. PART TO BE CLEAN AND FREE OF BURRS

FARNELL P/N: 4108061

NO	DESCRIPTION	MATERIAL	Q'TY	FINISH
5	CENTER CONTACT	Be Cu	1	GOLD 50 μ " MIN.
4	INSULATION	TEFLON	1	NONE
3	BODY	BRASS	1	GOLD 3 μ " MIN.
2	WASHER	BRASS	1	GOLD
1	NUT	BRASS	1	GOLD

製圖	DRAWN	TOLERANCE		品名		日期	DATE	版次	REV.
	梁齡允	.X	±0.2	19-16-3 (50 Ω)			11.22.95		A-1
檢圖	CHECK	.XX	±0.1	單位	UNIT	DWG.NO. 19-0148			
	沈淑美	.XXX	±0.05		mm(in)				
認定	APPROVAL	余賢德	ANGLE	±5°	比例	SCALE	佳楠精密電子股份有限公司		
				4:1	CHIN NAN PRECISION ELECTRONICS CO.,LTD.				