

4

3

2

1

THIS DRAWING IS UNPUBLISHED.

RELEASED FOR PUBLICATION

© COPYRIGHT BY TYCO ELECTRONICS CORPORATION. ALL RIGHTS RESERVED.

TOLERANCE UNLESS OTHERWISE SPECIFIED:  
一般公差0 < x ≤ 10 : ±0.2  
10 < x ≤ 30 : ±0.25  
30 < x ≤ 100 : ±0.3  
ANGLE : ±3°  
角度

LOC	DIST	REVISIONS					
P	LTR	DESCRIPTION	DATE	DWN	APVD		
J	—	C1	REDRAWN W/CHANGE	FJA0-0052-04	09FEB04	TS	KB

Dimensions: 5.6, 33.4±0.5, 35.8REF, 29.8±0.4, 24.6, 4.8×4=19.2, 18.3±0.3, 2, 12.7, 14.7, 33.2REF.

Dimensions: 27.6±0.5, 21.5±0.5.

Labels: SEAL RING シールリング, PLUG HOUSING プラグハウジング, A-A, ø4.4.

1. 嵌合相手型番 : 174657
2. 本品はプラグハウジング単体にシールリングがアッセンブリされたものである。
3. 本品はダブルロックプレート型番 174656を装着して使用する。

1. FOR CAP HOUSING PN 174657
2. THIS PART IS COMPOSED OF PLUG HOUSING AND SEAL RING
3. THIS PART MUST BE USED WITH DOUBLE LOCK PLATE PN 174656

黒 BLACK	174655-2
色 COLOR	型番 PN

THIS DRAWING IS A CONTROLLED DOCUMENT.		DWN T.SHINOHARA 09FEB04	<b>tyco</b> Tyco Electronics AMP K.K. Kawasaki, Japan	
DIMENSIONS: 単位: 概 MM		CHK K.BETSUI 09FEB04	NAME 10Pos. ECONOSEAL J-MARKII+ CONNECTOR PLUG HOUSING	
TOLERANCES UNLESS OTHERWISE SPECIFIED: 一般公差		APVD K.BETSUI 09FEB04	DRAWING NO. C-174655	
0 PLC ± -		PRODUCT SPEC 製品規格 108-5262	SIZE A3	CAGE CODE 00779
1 PLC ± -		APPLICATION SPEC 取付適用規格 114-5082	RESTRICTED TO -	
2 PLC ± -		WEIGHT 12.2g	SCALE 2:1 SHEET 1 OF 2 REV C1	
3 PLC ± -		MATERIAL 材料 PBT	CUSTOMER DRAWING	
4 PLC ± -			FINISH 仕上	
ANGLES ± -				

AMP 1470-19 REV 31MAR2000

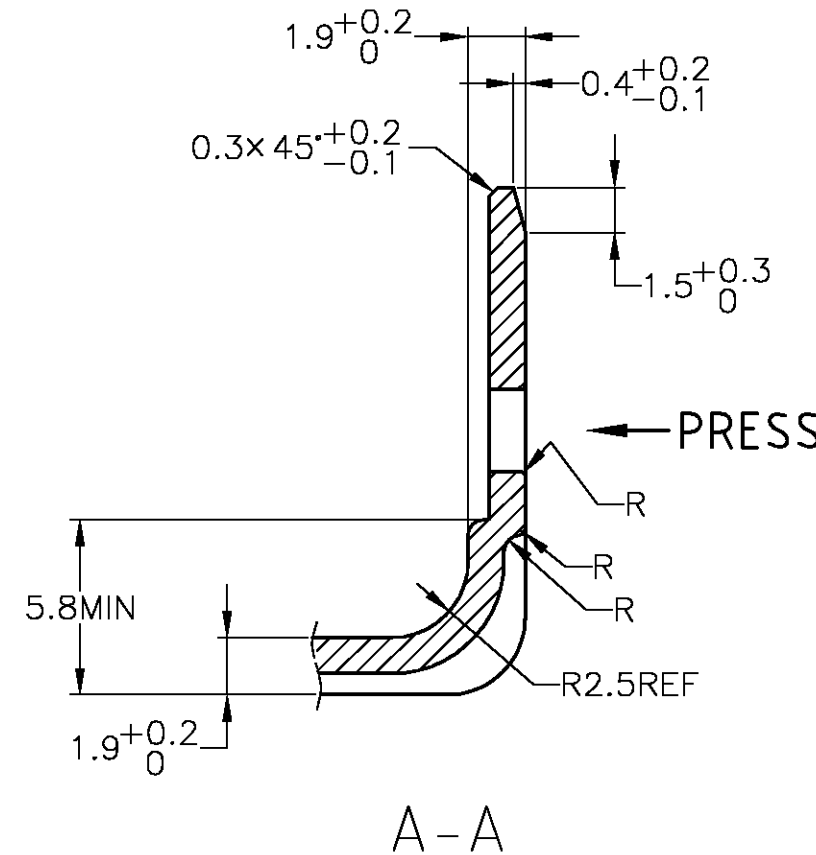
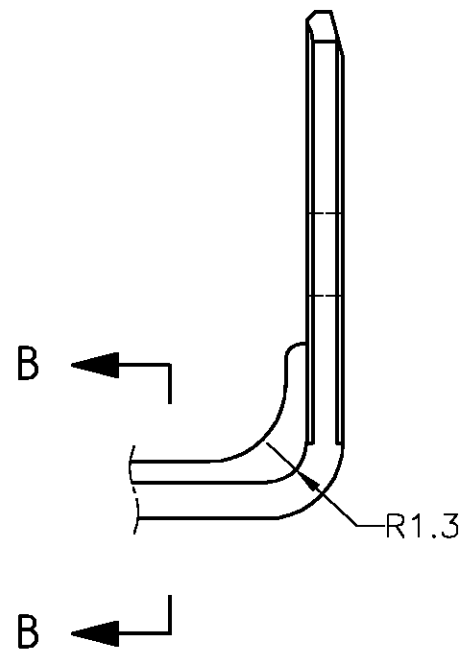
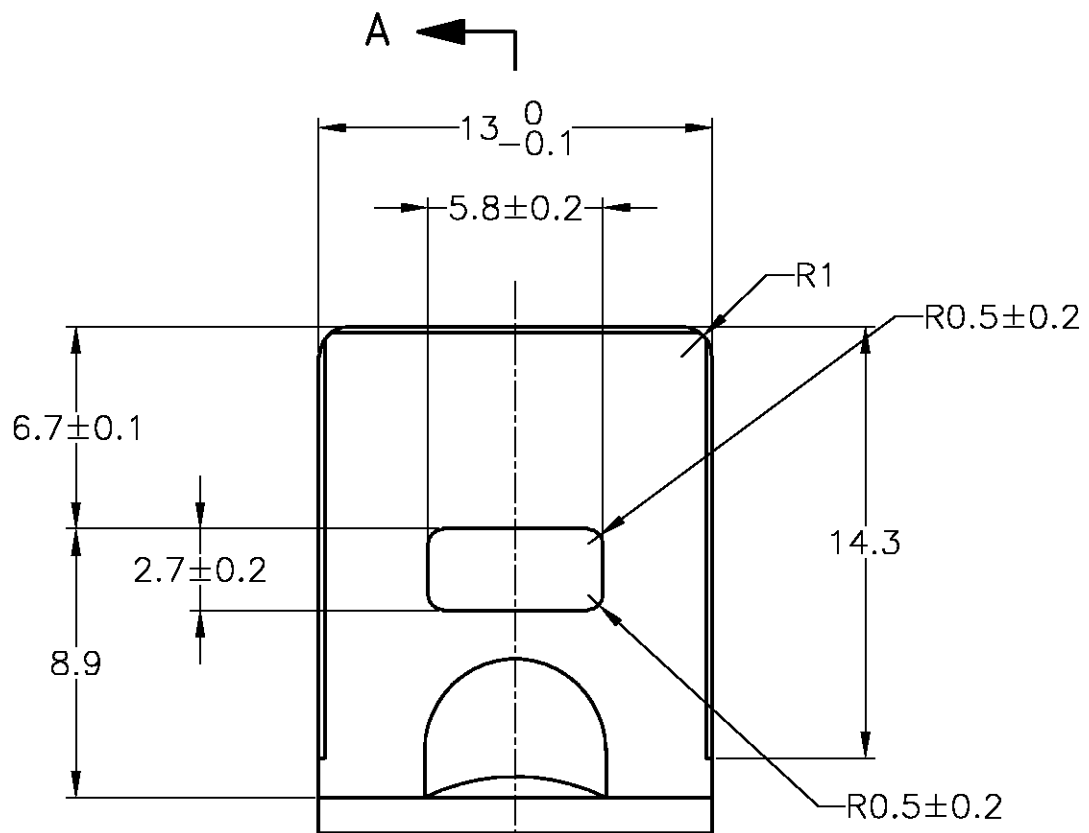
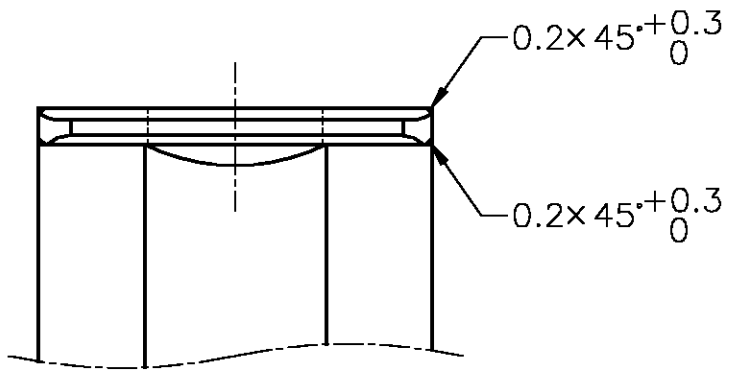
15JAN2004 2:03pm FJ029188

S:\AMP-KawasakiEC\Automotive\en32\_automotive\u.a99-0187\ej-bracket\0052-04\c-174655-sh1.dwg

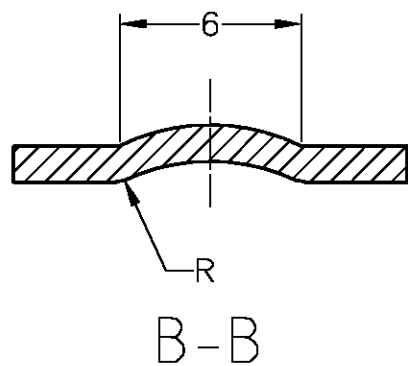
THIS DRAWING IS UNPUBLISHED. RELEASED FOR PUBLICATION  
 © COPYRIGHT BY TYCO ELECTRONICS CORPORATION. ALL RIGHTS RESERVED.

LOC	DIST	REVISIONS					
		P	LTR	DESCRIPTION	DATE	DWN	APVD
J	-	-	-	SEE 1 OF 2	-	-	-

ブラケット推奨寸法図  
 RECOMMENDED DIMENSION OF BRACKET



t = 1.2 ± 0.08



TOLERANCE UNLESS OTHERWISE SPECIFIED: 一般公差

0 < x ≤ 10	: ±0.2
10 < x ≤ 30	: ±0.25
30 < x ≤ 100	: ±0.3
ANGLE ; 角度	: ±3°

THIS DRAWING IS A CONTROLLED DOCUMENT.

DWN T.SHINOHARA 09FEB04	<b>tyco</b> Tyco Electronics AMP K.K. Kawasaki, Japan
CHK K.BETSUI 09FEB04	
APVD K.BETSUI 09FEB04	NAME 10Pos. ECONOSEAL J-MARKII+ CONNECTOR 名称 PLUG HOUSING
PRODUCT SPEC 製品規格	SIZE A3 CAGE CODE 00779 DRAWING NO. 174655
APPLICATION SPEC 取付適用規格	RESTRICTED TO
WEIGHT	SCALE 4:1 SHEET 2 OF 2 REV C1

CUSTOMER DRAWING