



25A VARIABLE BURST FIRED AC REGULATOR

BVR

X10212

INTRODUCTION

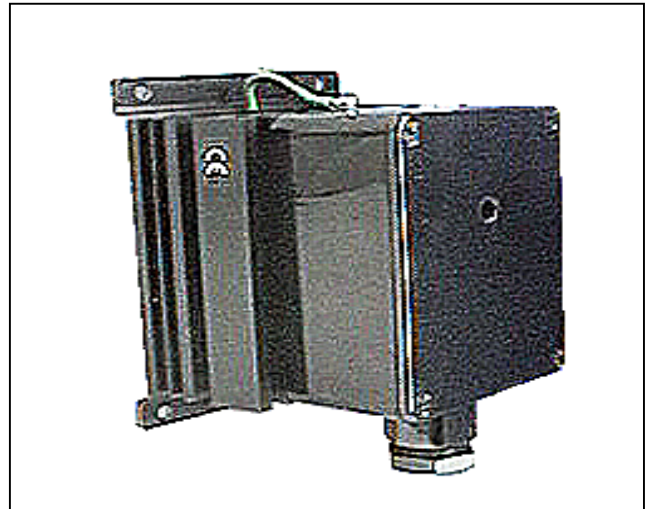
The BVR-25 is a powerful OEM 25A ac energy regulator for proportional linear manual control of resistive loads using variable on/off bursts of complete main cycles energy, coincident with mains zero crossover
The high current triac, fuse, terminals and all main parts are enclosed and mounted on an integral heatsink to ensure long life with reliable high ambient temperature operation.

APPLICATIONS

Virtually all resistance heaters including ovens, electric furnaces, moulders, dryers, smelters, heating tapes, stress relieving, space heating and heating mantles.
Unsuitable for use on inductive loads

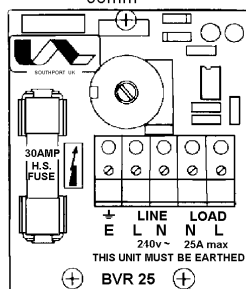
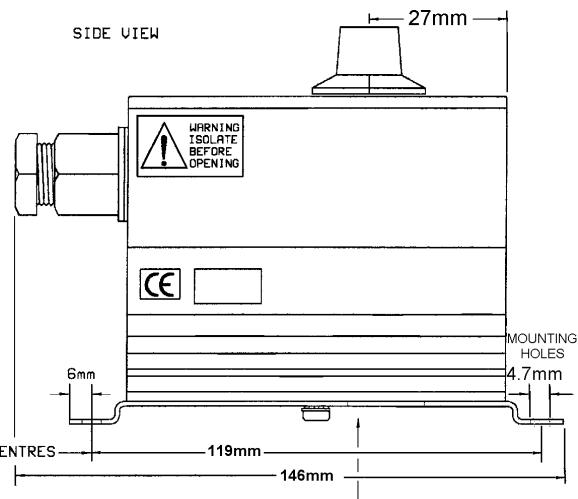
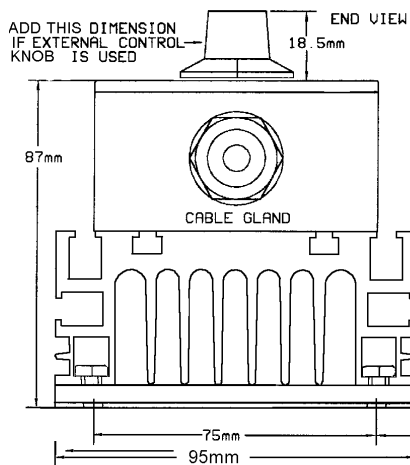
FEATURES

- Integral high speed fuse.
- Built in heatsink.
- RFI free.
- Single entry cable gland.
- Control knob and dial supplied.
- Wide operating voltage range



INSTALLATION

Fixing/Mounting/Dimensions



CONNECTIONS

(EARTH BONDING - DO NOT REMOVE)

FOR OPTIMUM PERFORMANCE AND HEAT DISSIPATION
THE UNIT SHOULD BE MOUNTED VERTICALLY

WARNING
SWITCH OFF MAINS BEFORE COMMENCING ANY
SERVICE WORK

**THIS UNIT MUST BE EARTHED
USING MOUNTING BASE PLATE**

SPECIFICATIONS

Mains voltage	110-240V ac \pm 10% @ 50-60 Hz	Min. Load current	200mA
Max. RMS Load current	25A.	Isolation voltage	2500V rms
Integral Triac	41A (600v)	I ² t for SCR fusing	250A ²
Main control signal	Integral 220K pot.	Replacement Fuse	30A 660V SCR type
Peak cycle surge	250A	Offstate dv/dt	500V/ μ s
Heatsink	1.3°C/Watt	Max operating temp	0-65°C
Isolation Classification	Class II	Storage temp.	-20°C to +85°C
		Max. Cable entry	2.5mm ²

FUSING:

A semiconductor (fast acting) type fuse is supplied as standard for unit protection. On initial 'switch on' some loads may need an increased Factor of Safety (F of S) for unit and/or device protection. For spares or replacements contact our sales desk.

CE MARKING

This product family carries a "CE marking". For information see recommendation section and contact our sales desk.

RECOMMENDATION

Other documents available on request, which may be appropriate for your applications.

CODE	IDENTITY	DESCRIPTION
X10229	RFI	Filtering recommendation - addressing EMC Directive
X10213	ITA	Interaction, uses for phase angle and for burst fire control.
X10255	SRA	Safety requirements - addressing the Low Voltage Directive including :- Thermal data/cooling ; "Live" parts warning & Earth requirements; Fusing recommendations.
AP02/4	COS	UAL Conditions of sale

NOTE It is recommended that installation and maintenance of this equipment should be done with reference to the current edition of the I.E.E. wiring regulations (BS7671) by suitably qualified / trained personnel. The regulations contain important requirements regarding safety of electrical equipment. (For International standards refer to I.E.C. directive IEC950).

ORDER CODE: *State part number: BVR-25A (Other supply voltage available).*



UNITED AUTOMATION LIMITED

1Southport Business Park
Kew
Southport, PR8 4HQ
ENGLAND

Tel: 0044 (0) 1704 – 516500 Main
Tel: 0044 (0) 1704 – 516516 Sales
Fax: 0044 (0) 1704 – 516501
Enquiry@united-automation.com

Page No. 2 of 2

Issue 2

Date 23/11/99

