



DATA SHEET  
**05708 Series**

Part of the simpleLED® program

## simpleLED 05708 SERIES

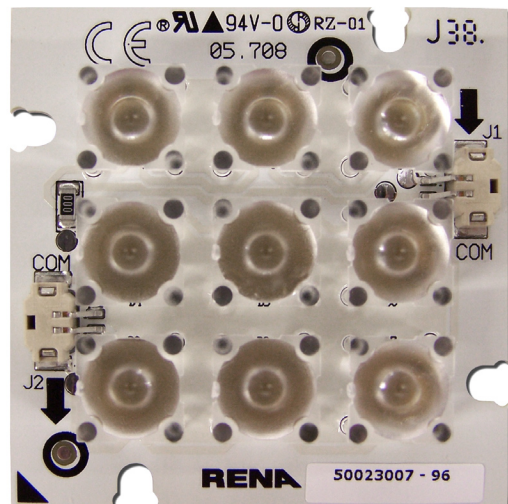
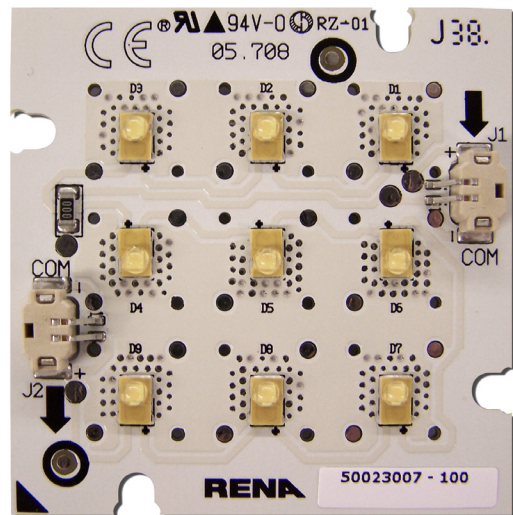
The light engine series consist of 9 high power LUXEON Rebel LEDs. It is engineered to provide customers with the flexibility to select the optimal light source for the applications. Customers can modify the simpleLED light source by selecting the LUXEON Rebel LED, optic and connector to best suit their needs.

## FEATURES & BENEFITS

- 3 Year Manufacturer (Rena) Warranty
- High-Reliability LED Sources
- Rugged Construction
- Wide Operational Temperature Range
- Multiple Configurable Options
- Flexible Optic Options
- Wide Range Drive Current
- Multiple White CCT's Available
- Short Lead Time
- CE certified, UL recognized

## TYPICAL APPLICATIONS

- Under Cabinet Lighting
- Cove Lighting
- Accent Lighting
- Display Case Lighting
- Display Lighting
- Street & Area Lighting



Note: All specifications are subject to change without notice.

## MECHANICAL CHARACTERISTICS

PARAMETER	CONDITIONS
PCB	FR-4
Finish	White
Size	50 x 50 mm
Source Type	LUXEON Rebel
Connector	Tyco mini CT (2106091-1)
Thermal Resistance (p-n junction to bottom of PCB)	Rth= 21 K/W

## ELECTRICAL CHARACTERISTICS

PARAMETER	MIN	NOM	MAX
Forward Voltage (V) @350mA & Tj=25 °C	22.9	27.0	35.9
Power Consumption @350mA (W)	8.0	9.5	12.6

## ENVIRONMENTAL CHARACTERISTICS

PARAMETER	MIN	MAX
Storage Temperature (°C)	-40	+70
PCB temperature (°C)	-20	+80

Note: All specifications are subject to change without notice.

## THERMAL STATEMENT & ASSEMBLY INSTRUCTIONS

The light engines must operate under proper environmental conditions and the operating ambient air temperature must not exceed a certain maximum which cause the LEDs to exceed the maximum junction temperature as stated in Philips Lumileds datasheet. A heat sink must always be used when operating the light engines. The size of the heat sink depends on the amount of power consumed by the LEDs. The objective is to maintain the junction temperature below the maximum rating in Philips Lumileds datasheet while also not exceeding the maximum PCB temperature.

The light engine must be mounted on a flat heat sink using M3 screws. All screw holes must be used to attach the light engine to the heat sink in order to provide proper heat transfer. Also a thermal conductive interface must be used between the heat sink and light engine. This thermal conductive interface could be a thermal conductive paste such as AmasanT12 from Armack Lottechnik or a thermal interface material such as T-PCM 585 from Laird.

Note that the bottom of the PCB is not flat, since the PCB contains 2 thru board connectors. In order to have a proper heat transfer to the heat sink, 2 holes at the position of the connector have to be made in the heat sink. A smaller heat sink may be used and therefore may not require any drilling.

The light engine must not be bent to avoid damaging the LED and/or dislodging the optics. All above specifications must be met in order to qualify for the 3 year warranty.

## THERMAL MANAGEMENT

The graphs below show the required thermal resistance of the heat sink based on the maximum operating ambient temperature, the drive current and the maximum allowable PCB temperature. The maximum allowable  $T_j$  is a function of the target lifetime of the light engine and the LED current. This information can be found in the Philips Lumileds reliability datasheet RD07.

For example, if the maximum ambient temperature is 35°C and the drive current is 500 mA, the heat sink should have a  $R_{th}$  of 2.3 K/W to meet the max PCB temperature requirement. This is shown in figure 1. With the known  $R_{th}$  of the heat sink, the delta T from junction to ambient can be determined in figure 2. A  $R_{th}$  of 2.3 K/W has a delta T of 68 °C, which means that the LED has a  $T_j$  of 103 °C.

With the same graphs the max operating ambient temperature and the junction temperature can also be determined if the thermal resistance of the chosen heat sink is known.

Note; the graphs show that not all combinations of  $T_j$  and max ambient are possible.

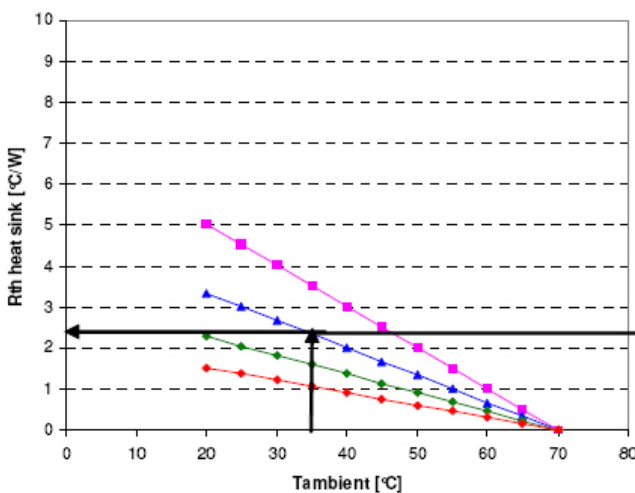


Figure 1

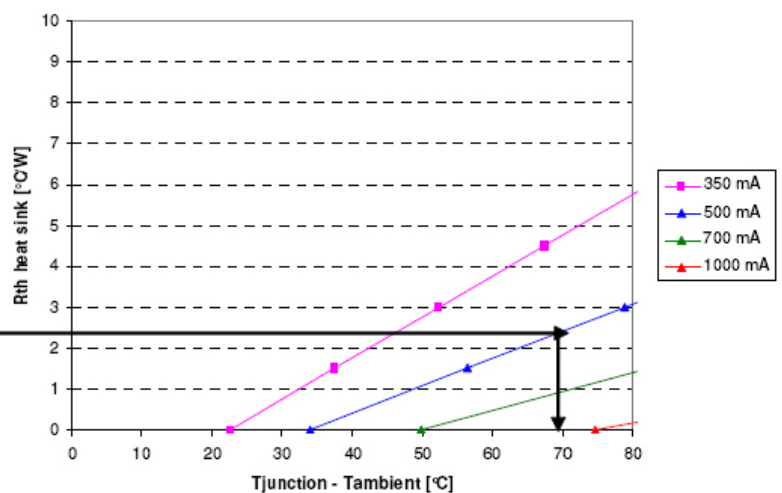
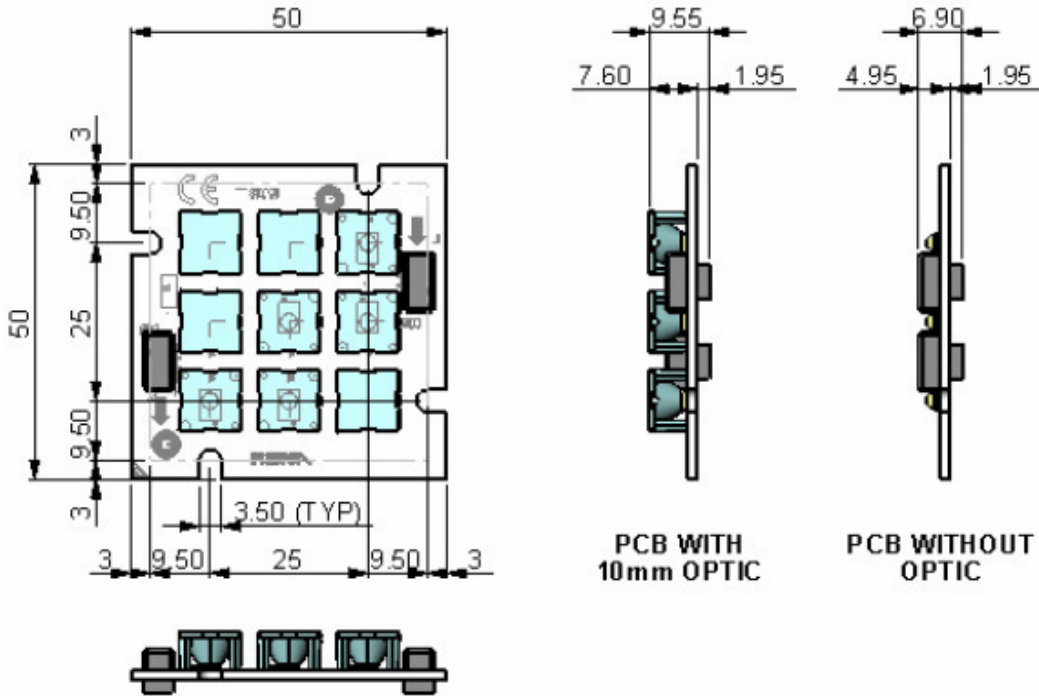


Figure 2

Note: All specifications are subject to change without notice.

## MECHANICAL DRAWINGS

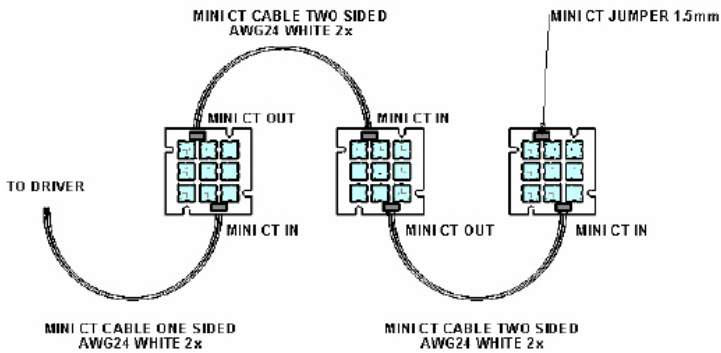
2D drawings with dimensions in mm



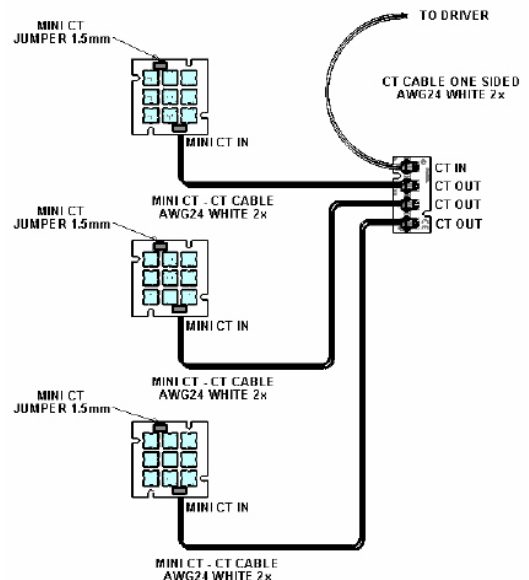
## INTERCONNECTIVITY OPTIONS

Board-to-board wiring options and drawings

Boards connected in series:



Boards connected in parallel:

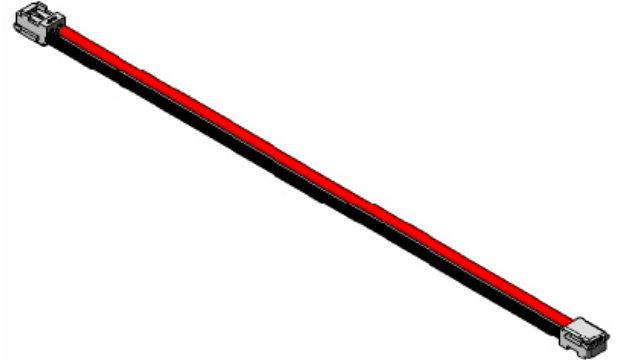


Note: All specifications are subject to change without notice.

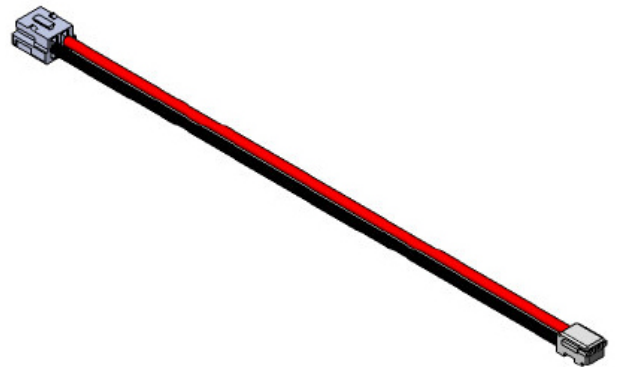
## ACCESSORIES FOR INTERCONNECTIONS

Cable options for board to board connection and for driver connection  
(depending on selected driver)

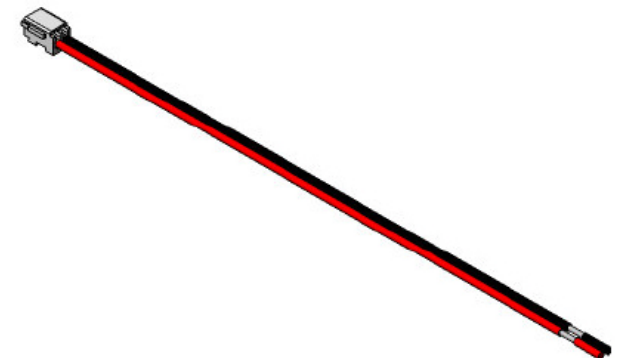
Part number Mini CT-Mini CT cable	Cable length (mm)	Wire colors
1969342-6	300	white
1969342-5	150	white
1969342-4	50	white
1969342-3	300	red & black
1969342-2	150	red & black
1969342-1	50	red & black



Part number CT-Mini CT cable	Cable length (mm)	Wire colors
1969328-6	300	white
1969328-5	150	white
1969328-4	50	white
1969328-3	300	red & black
1969328-2	150	red & black
1969328-1	50	red & black



Part number single Mini CT cable	Cable length (mm)	Wire colors
1969341-6	300	white
1969341-5	150	white
1969341-4	50	white
1969341-3	300	red & black
1969341-2	150	red & black
1969341-1	50	red & black



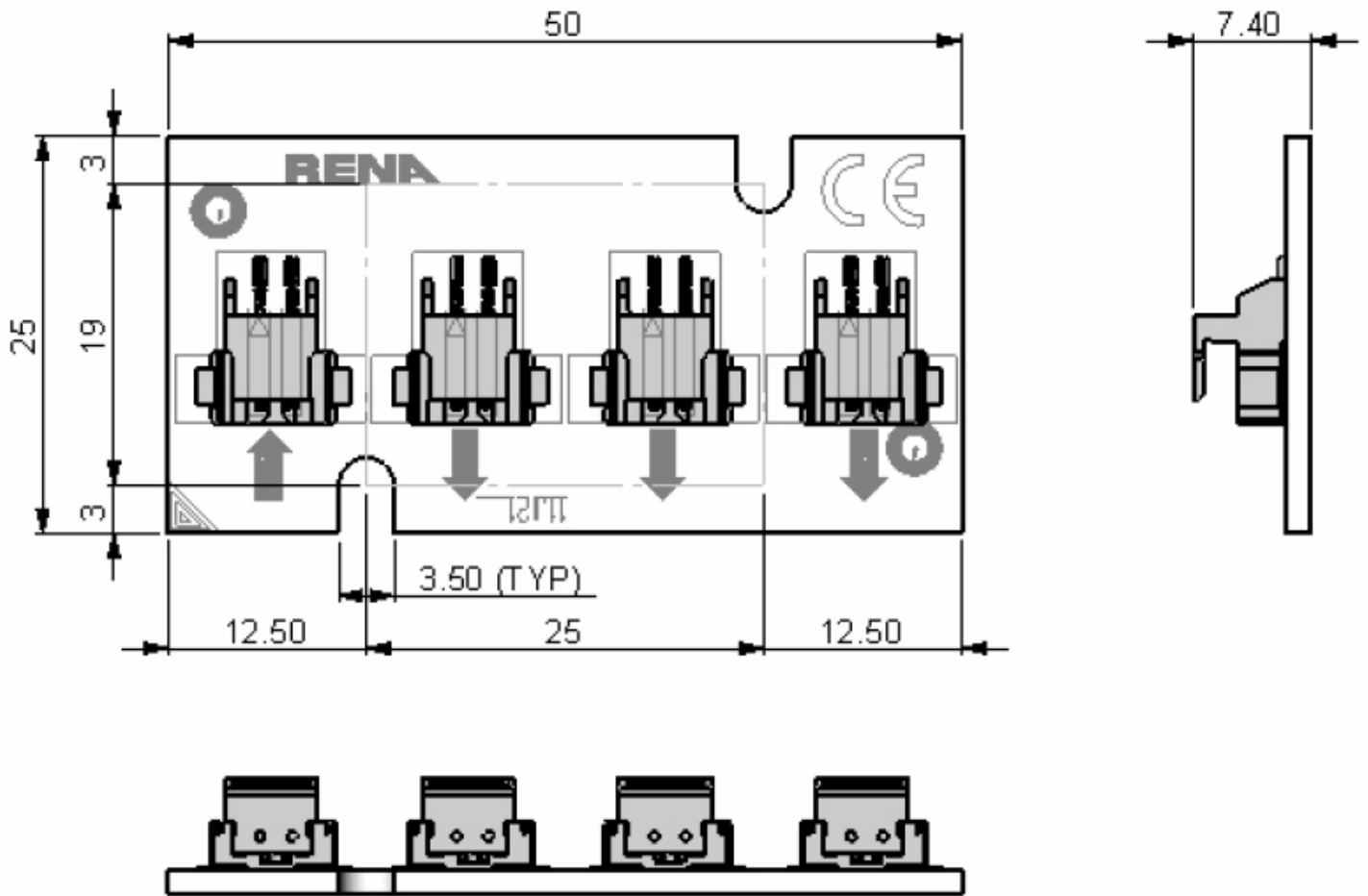
\* Please refer to [www.FutureLightingSolutions.com](http://www.FutureLightingSolutions.com) for a detailed explanation on choosing the correct cable assembly.

Note: All specifications are subject to change without notice.

## ACCESSORIES FOR INTERCONNECTIONS

Interconnection board for parallel assembly  
Part number 57011121

2D drawings with dimensions in mm



Note: All specifications are subject to change without notice.

## PART NUMBERING & ORDERING INFORMATION

### 1. PRODUCT SERIES (05708)

square board with 9 LEDs in series

### 2. COLOR TEMP (AAAA)

7777 = Neutral White  
8888 = Warm White  
9999 = Cool White

### 3. MINIMUM CRI\* (BB)

XX = No Min CRI  
55 = Min 55  
60 = Min 60  
65 = Min 65  
70 = Min 70  
75 = Min 75  
80 = Min 80  
85 = Min 85  
90 = Min 90

### 4. MINIMUM FLUX\* (LM) (CCC)

065 = Min 65  
066 = Min 66  
067 = Min 67  
075 = Min 75  
080 = Min 80  
100 = Min 100

### 1. LED TYPE

R = LUXEON Rebel

### 5. CONNECTOR (D)

C = Connector  
N = No Connector

Part Number:

05708RAAAABBCCCDEFG

1
2
3
4
5
6
7
8

### 6. SUPPLIER COLLIMATOR (E)

X = No Optics  
A = Carclo 10mm

### 7. OPTIC HOLDER (F)

X = No Holder

### 8. COLLIMATOR (G)

X = No Lens  
E = Medium Beam  
F = Medium Beam Frosted  
H = Wide Beam Frosted  
K = Elliptical Beam

\* According to Lumileds datasheet  
Special configurations available upon request  
Contact your local sales representative

Note: All specifications are subject to change without notice.



## COMPANY INFORMATION

### About Future Lighting Solutions

Future Lighting Solutions ([www.futurelightingsolutions.com](http://www.futurelightingsolutions.com)) is a leading provider of LED lighting components and support services for solid-state lighting products and installations, including engineering expertise, concept development, full system solutions and online tools that accelerate quality application development. The company is a division of Future Electronics.

### About simpleLED®

Future Lighting Solutions simpleLED program has over 500 combinations of LUXEON® LED & Optic configurations, enabling you to select the right Light Engine for your application, eliminate prototyping delays and accelerating time to market. Additional benefits include UL recognized quality and a 3 year warranty. Visit our website and start innovating.

## CONTACT DETAILS

---

In North America:  
1-888-LUXEON2  
[Americas@futurelightingsolutions.com](mailto:Americas@futurelightingsolutions.com)

In Europe:  
00-800-44FUTURE  
[Europe@futurelightingsolutions.com](mailto:Europe@futurelightingsolutions.com)

In Asia:  
+800-LUMILEDS  
[Asia@futurelightingsolutions.com](mailto:Asia@futurelightingsolutions.com)

In Japan:  
+81-0120-667-013  
[Japan@futurelightingsolutions.com](mailto:Japan@futurelightingsolutions.com)

Note: All specifications are subject to change without notice. Warranty provided by the manufacturer, Rena Electronica BV.