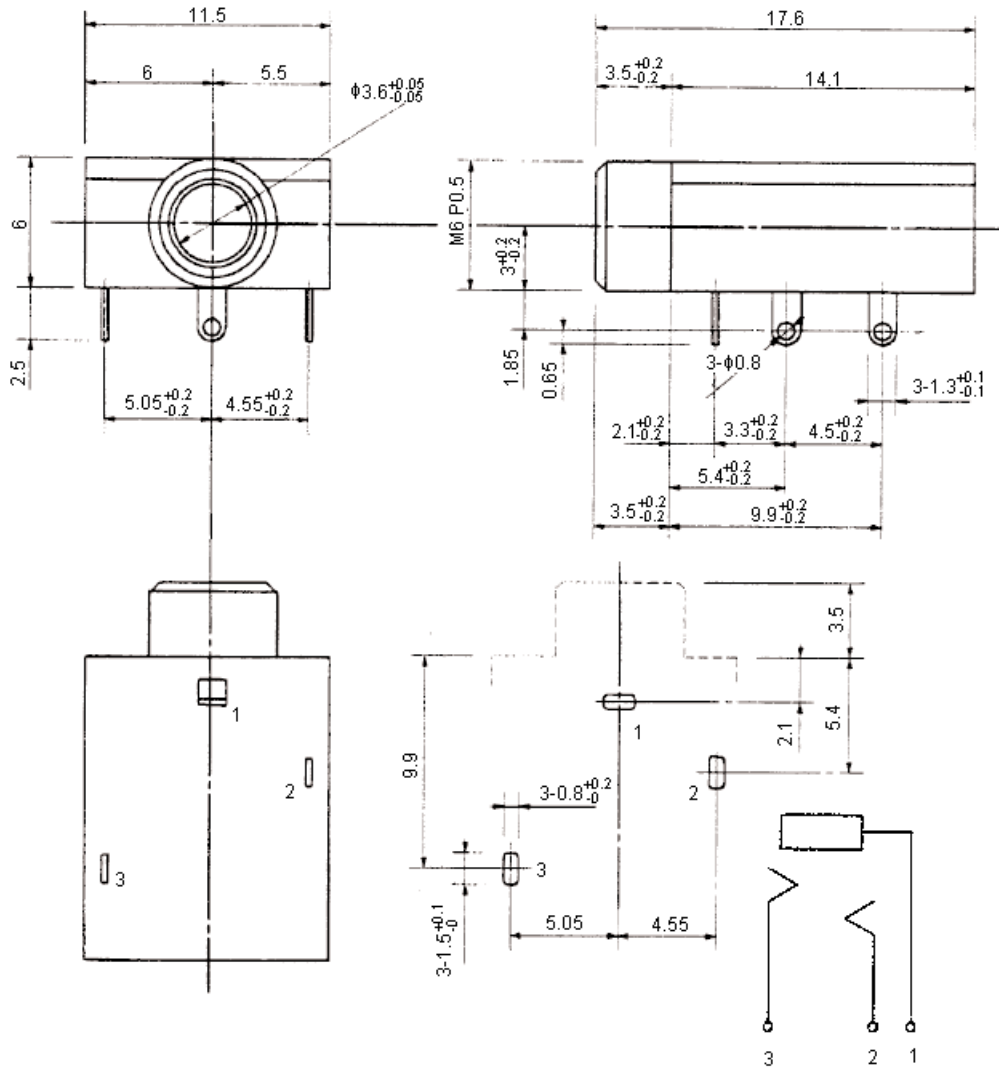


PART NO.

MJ-352W-0

REVISIONS

ECN #	REV	DESCRIPTION	DRAWN	DATE	CHECKD	DATE	APPRVD	DATE
-	A	RELEASED	Jagan	05/10/09	Sridhar	05/10/09	Farnell	09/10/09



Dimensions : Millimetres

This data sheet and its contents (the "Information") belong to the Premier Farnell Group (the "Group") or are licensed to it. No licence is granted for the use of it other than for information purposes in connection with the products to which it relates. No licence of any intellectual property rights is granted. The Information is subject to change without notice and replaces all data sheets previously supplied. The Information supplied is believed to be accurate but the Group assumes no responsibility for its accuracy or completeness, any error in or omission from it or for any use made of it. Users of this data sheet should check for themselves the Information and the suitability of the products for their purpose and not make any assumptions based on information included or omitted. Liability for loss or damage resulting from any reliance on the Information or use of it (including liability resulting from negligence or where the Group was aware of the possibility of such loss or damage arising) is excluded. This will not operate to limit or restrict the Group's liability for death or personal injury resulting from its negligence. SPC pro-SIGNAL is the registered trademark of the Group. © Premier Farnell plc 2009.

TOLERANCES:
UNLESS OTHERWISE SPECIFIED, DIMENSIONS ARE FOR REFERENCE PURPOSES ONLY.

DRAWN BY:	DATE:
Jagan	05/10/09
CHECKED BY:	DATE:
Sridhar	05/10/09
APPROVED BY:	DATE:
Farnell	19/10/09

DRAWING TITLE:			
3.5mm Socket - 3 Pole			
SIZE	DWG NO.	ELECTRONIC FILE	REV
A		1267400-DWG	A
SCALE: NTS		U.O.M.: mm	SHEET: 1 OF 2



PART NO.

MJ-352W-0

REVISIONS

ECN #	REV	DESCRIPTION	DRAWN	DATE	CHECKD	DATE	APPRVD	DATE
-	A	RELEASED	Jagan	05/10/09	Sridhar	05/10/09	Farnell	19/10/09

Specifications Table

Item	Parts Name	Material	Plating	Remarks
1	Body	Noryl	-	Black (UL94V-0)
2	Cover	PC	-	-
3	Main terminal A	BsR2-H 0.3t	Ag	(Tip contact)
4	Main terminal B	BsR2-H 0.25t		(Ring contact)
5	Earth terminal	Bsr2-H 0.4t		(Sleeve contact)
6	Spring A	SUS-304	-	Heat treatment
7	Spring B		-	
9	Metal	BsBM2	Ni-3	-

Part Number Table

Description	Part Number
Socket, 3.5mm Jack, 3 Pole	MJ-352W-0

<http://www.farnell.com>

<http://www.newark.com>

<http://www.cpc.co.uk>

This data sheet and its contents (the "Information") belong to the Premier Farnell Group (the "Group") or are licensed to it. No licence is granted for the use of it other than for information purposes in connection with the products to which it relates. No licence of any intellectual property rights is granted. The Information is subject to change without notice and replaces all data sheets previously supplied. The Information supplied is believed to be accurate but the Group assumes no responsibility for its accuracy or completeness, any error in or omission from it or for any use made of it. Users of this data sheet should check for themselves the Information and the suitability of the products for their purpose and not make any assumptions based on information included or omitted. Liability for loss or damage resulting from any reliance on the Information or use of it (including liability resulting from negligence or where the Group was aware of the possibility of such loss or damage arising) is excluded. This will not operate to limit or restrict the Group's liability for death or personal injury resulting from its negligence. SPC pro-SIGNAL is the registered trademark of the Group. © Premier Farnell plc 2009.

**TOLERANCES:
UNLESS OTHERWISE SPECIFIED, DIMENSIONS ARE FOR REFERENCE PURPOSES ONLY.**

DRAWN BY:	DATE:
Jagan	05/10/09
CHECKED BY:	DATE:
Sridhar	05/10/09
APPROVED BY:	DATE:
Farnell	19/10/09

DRAWING TITLE:			
3.5mm Socket - 3 Pole			
SIZE	DWG NO.	ELECTRONIC FILE	REV
A		1267400-DWG	A
SCALE: NTS		U.O.M.: mm	SHEET: 2 OF 2