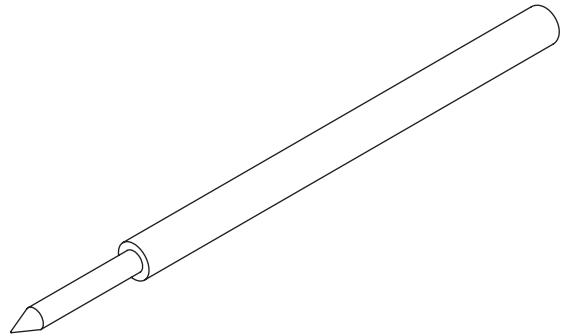




# TSS-0,8-5

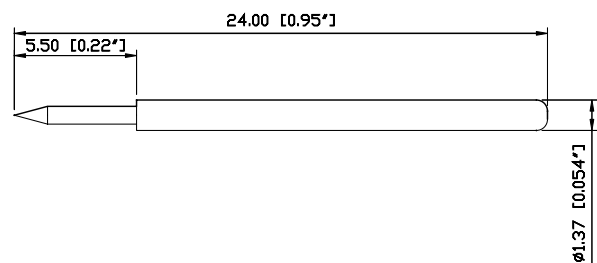
Set of five rigid tips 0.8 mm



High precision solid tips – durable and rugged – for reliable probing as well as for scratching solder points or piercing through the insulation of cables and wires.

Material: turned stainless steel

Order-No. 891-005-011



PMK GmbH  
Mess- und  
Kommunikationstechnik  
Industriestr. 17  
63150 Heusenstamm  
Germany

Phone: +49 (0) 6104 6453  
Fax: +49 (0) 6104 6457  
Internet: [www.pmk.de](http://www.pmk.de)  
E-Mail: [sales@pmk.de](mailto:sales@pmk.de)  
[service@pmk.de](mailto:service@pmk.de)