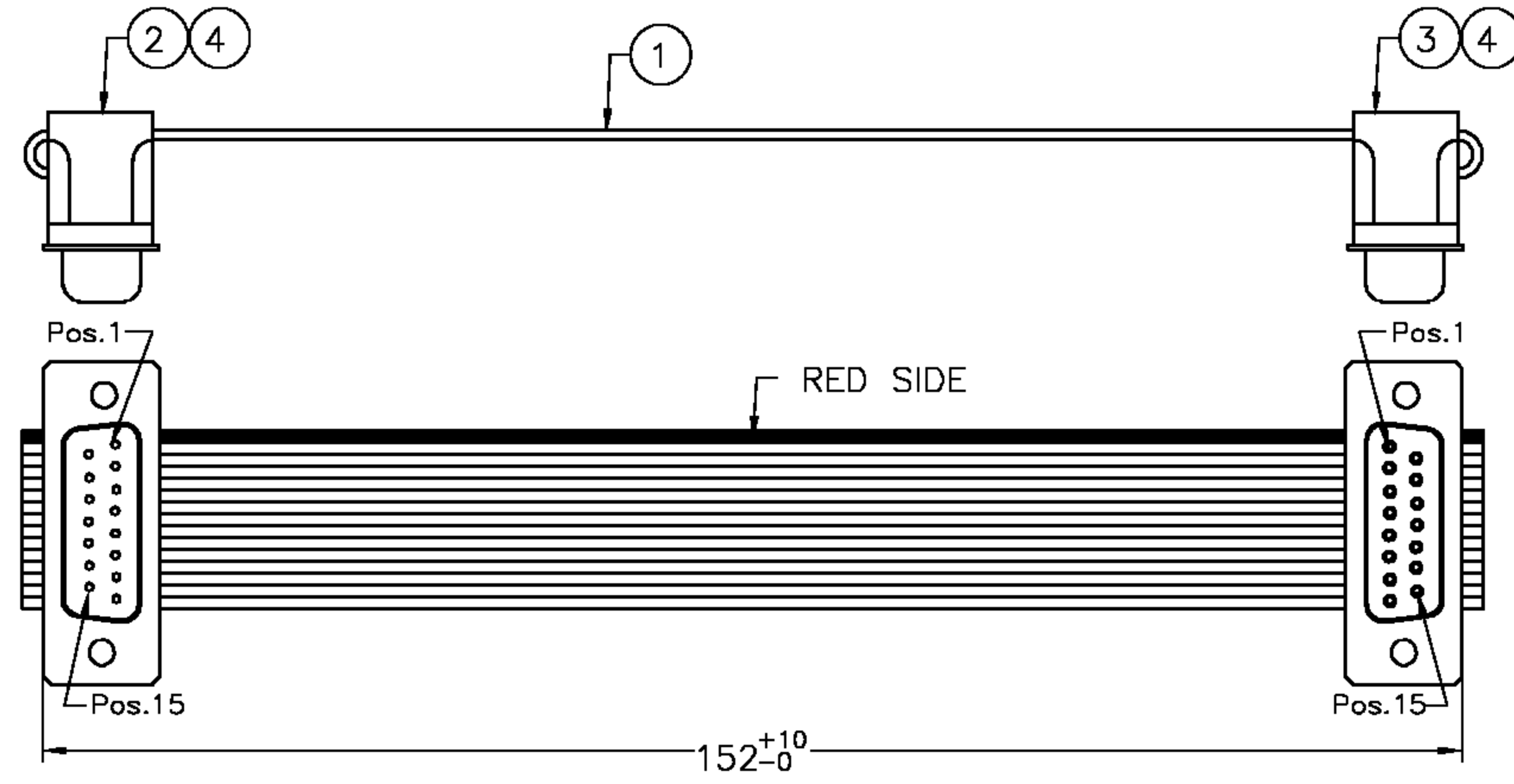


USED ON _____



DWG NO 1537732

THIS DRAWING IS A CONTROLLED DOCUMENT.

TYCO P/N: 1537732-1
 CUSTOMER P/N: EB-GCN-04-248-01-15

QTY	U/M	PART NO.	DESCRIPTION	ITEM
2	PC		STRAIN RELIEF FOR 15 PIN	4
1	PC		DB15 FEMALE, IDC TYPE, FOR WIRE 28AWG INSULATION: BLACK	3
1	PC		DB15 MALE, IDC TYPE, FOR WIRE 28AWG INSULATION: BLACK	2
AR	MR		UL2651 28AWG 15C, 1.27MM PITCH, GRAY	1

DWN	21JUL04	MATERIAL	HEAT TREAT
BOVEY LIU		-	-
CHK	20AUG04		
PHILIP YANG			
APVD	20AUG04		
SINGOL HE			
NAME	DB15M TO DB15F FLAT CABLE ASSEMBLY		
SCALE	SIZE	DRAWING NO	SHEET OF REV
N.T.S.	A3	1537732	1 OF 1 A

DIMENSIONS:		TOLERANCES UNLESS OTHERWISE SPECIFIED:	
MM		0 PLC	± -
		1 PLC	± -
		2 PLC	± -
		3 PLC	± -
		4 PLC	± -
ANGLES ±	-		
SURFACE TEXTURE	√		

	A	ECN-0412333	22NOV04	BL	KL
P	LTR	REVISION RECORD	DATE	DWN	APVD

LOC HS
DIST 00

THIS INFORMATION IS CONFIDENTIAL AND PROPRIETARY TO TYCO ELECTRONICS CORPORATION AND ITS WORLDWIDE SUBSIDIARIES AND AFFILIATES. IT MAY NOT BE DISCLOSED TO ANYONE, OTHER THAN TYCO ELECTRONICS PERSONNEL, WITHOUT WRITTEN AUTHORIZATION FROM TYCO ELECTRONICS CORPORATION, HARRISBURG, PENNSYLVANIA USA.