



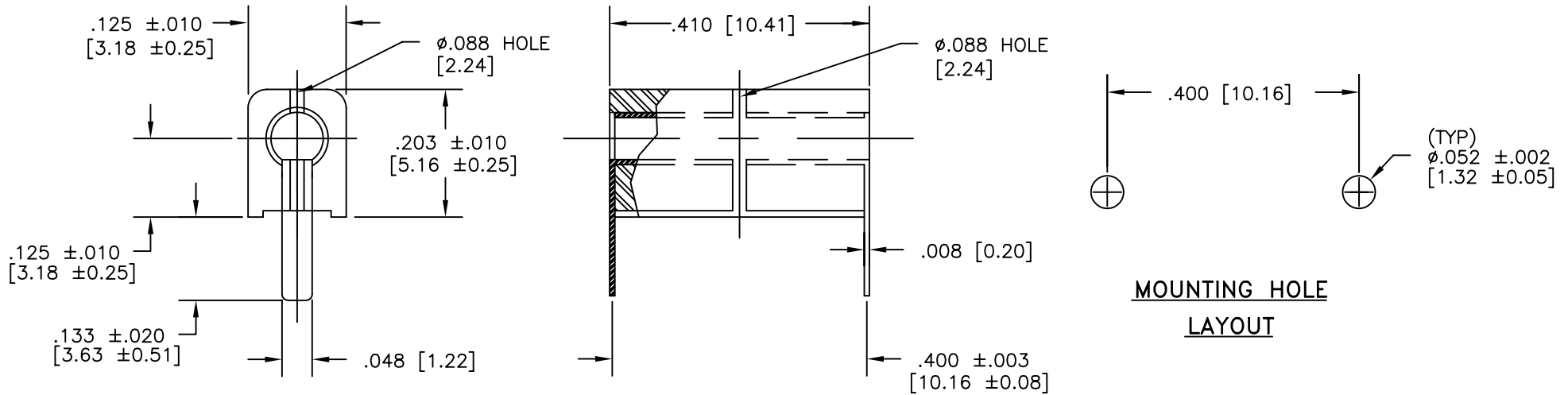
ALL RIGHTS RESERVED. NO PORTION OF THIS PUBLICATION, WHETHER IN WHOLE OR IN PART CAN BE REPRODUCED WITHOUT THE EXPRESS WRITTEN CONSENT OF SPC TECHNOLOGY.

SPC-F005.DWG

REVISIONS

DOC. NO. SPC-F005 * Effective: 7/8/02 * DCP No: 1398

DCP #	REV	DESCRIPTION	DRAWN	DATE	CHECKD	DATE	APPRVD	DATE
1210	C	Elect. File Name chgd	JWM	7/25/01	JC	7/25/01	JC	7/25/01
1686	D	Remove TJ-100-BLU & TJ-100-GRN	JWM	2/11/04	JC	2/11/04	JC	2/11/04



MOUNTING HOLE LAYOUT

NOTES:

- MATERIAL:
 - CONTACT: COPPER ALUMINUM ALLOY (MEETS OR EXCEEDS BERYLLIUM COPPER)
 - BODY: NYLON 66 PER ASTM D4066
- CONTACT FINISH: GOLD
- CURRENT RATING: 5 AMPS
- BREAKDOWN VOLTAGE: 2100 VRMS MINIMUM
- CONTACT RESISTANCE: .005 OHM MAX
- FLAMMABILITY: UL94V-2 SELF-EXTINGUISHING
- CONTINUOUS USE TEMPERATURE: -40°F (-40°C) TO 185°F (85°C)
- ADJACENT JACK CAP.: 1 pF MAX AT 1 MHz
- FOR STANDARD TIP PLUG: $\phi .080$ [2 MM].
- PROBE ACCESS FROM BOTH ENDS.
- CONTACT PROTECTED FROM FLUX AND SOLDER.
- WEIGHT: .0006 LBS.

PART NUMBER	COLOR
TJ-100-BLK	BLACK
TJ-100-RED	RED
TJ-100-WHT	WHITE
TJ-100-YEL	YELLOW

DISCLAIMER: ALL STATEMENTS AND TECHNICAL INFORMATION CONTAINED HEREIN ARE BASED UPON INFORMATION AND/OR TESTS WE BELIEVE TO BE ACCURATE AND RELIABLE. SINCE CONDITIONS OF USE ARE BEYOND OUR CONTROL, THE USER SHALL DETERMINE THE SUITABILITY OF THE PRODUCT FOR THE INTENDED USE AND ASSUME ALL RISK AND LIABILITY WHATSOEVER IN CONNECTION THEREWITH.

TOLERANCES:
UNLESS OTHERWISE SPECIFIED, DIMENSIONS ARE FOR REFERENCE PURPOSES ONLY.

DRAWN BY:	DATE:
JP	1/15/93
CHECKED BY:	DATE:
JOHN COLE	1/18/93
APPROVED BY:	DATE:
J.Liska	1/19/93

DRAWING TITLE: Horizontal Test Jacks			
SIZE	DWG. NO.	ELECTRONIC FILE	REV
A	TA-374	TA-374.dwg	D
SCALE: NTS	U.O.M.: INCHES [mm]	SHEET: 1 OF 1	