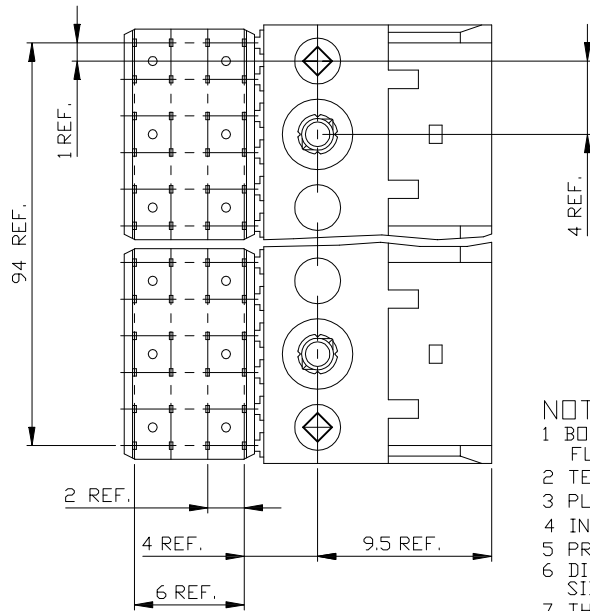
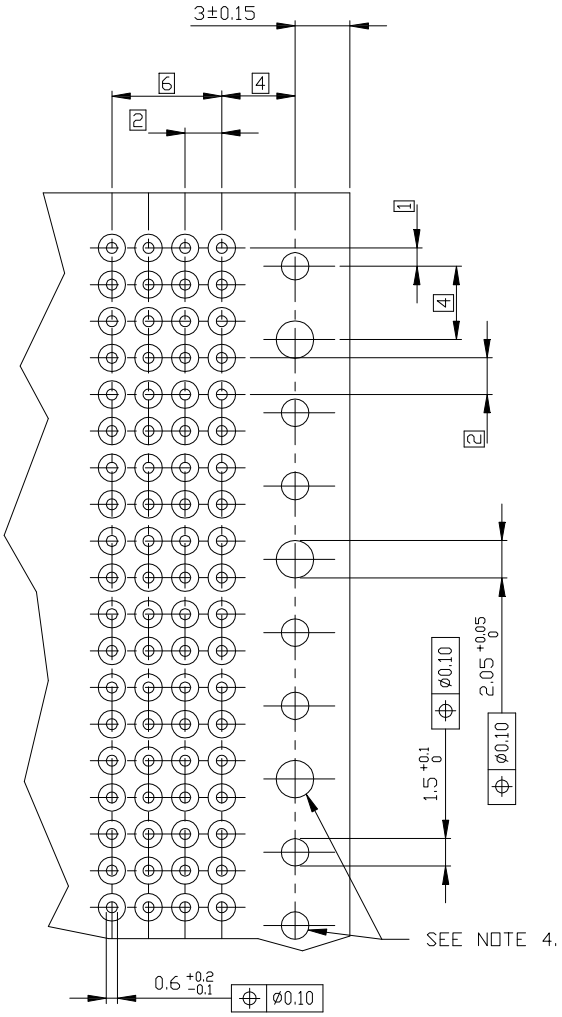
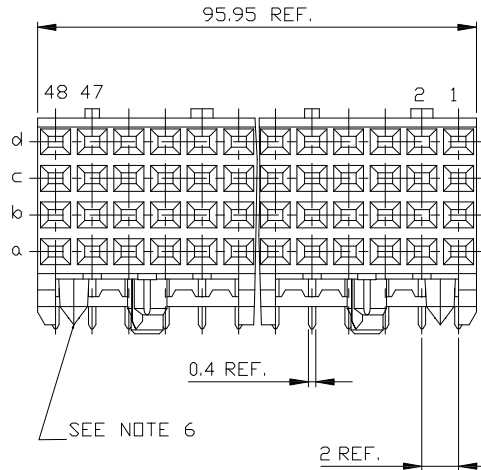
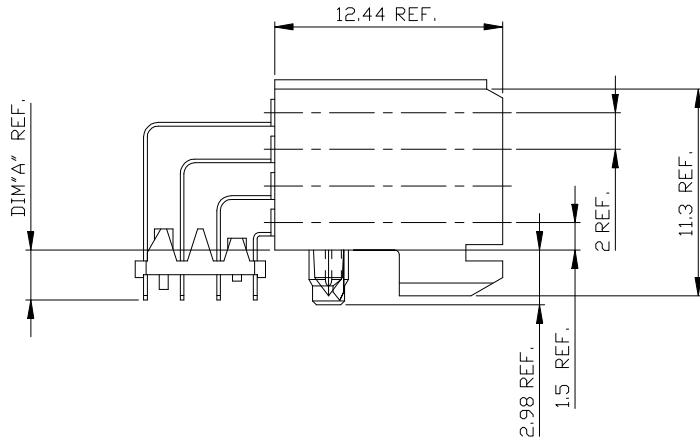
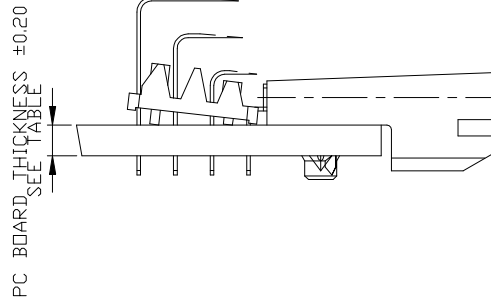


PC BOARD VERSIONS		
PRODUCTNR:	PCB THICKNESS	DIM"A"
89038-X01/X01LF	1.6	2.90
89038-X11/X11LF	2.4	3.53



PRODUCT AFTER PC BOARD APPLICATION.



NOTES:

- BODY MAT'L: LIQUID CRYSTAL POLYMER 30% GLASS FLAME RETARDANT ACC. UL 94-V0
- TERMINAL MATERIAL: PHOSPHOR BRONZE.
- PLATING SOLDER TAILS 2-8 μm SnPb 90-97 OR 2-8 μm PURE Sn
- INDICATED HOLES ARE UNPLATED.
- PRODUCT MARKING: PART NUMBER & BATCH ID.
- DIAMOND LOCATION PEG ARE ONLY EXISTED ON THE BOTH T. SIDES OF PRODUCT
- THIS PRODUCT MEETS EUROPEAN UNION DIRECTIVES AND OTHER COUNTRY REGULATIONS AS DESCRIBED IN GS-22-008.
- THE HOUSING WILL WITHSTAND EXPOSURE TO 260 DEGREE PEAK TEMPERATURE FOR 10 SECONDS IN A WAVE SOLDER APPLICATION.

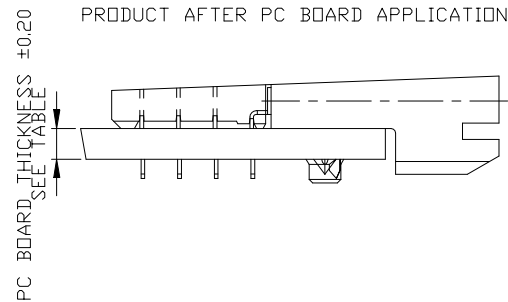
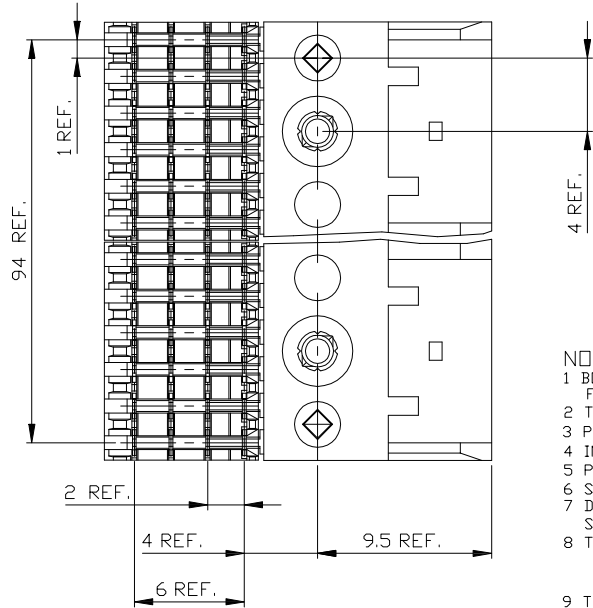
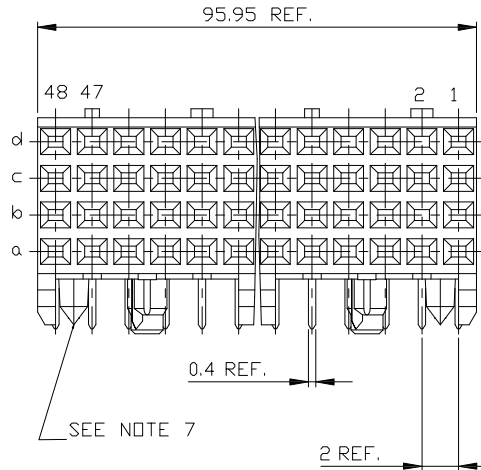
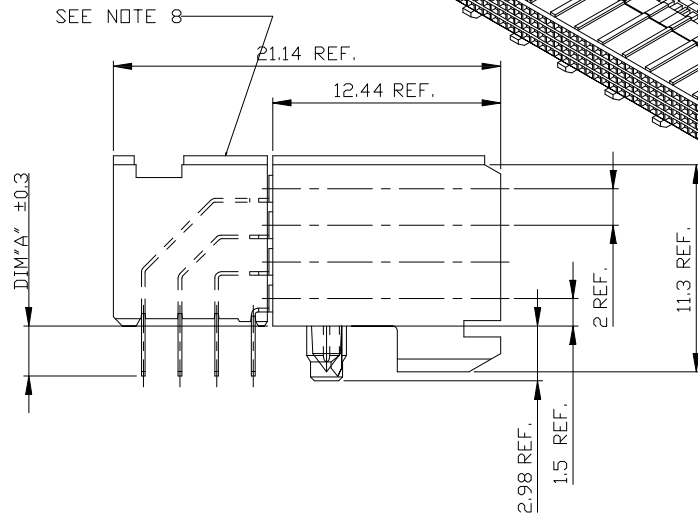
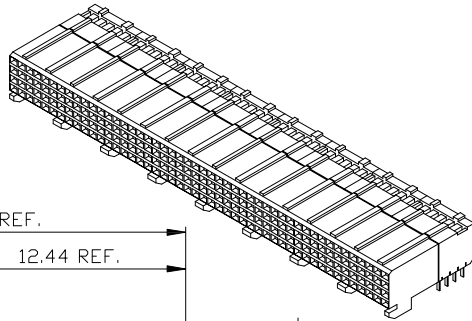
PLATING CONTACT AREA:

DASH NR:	PERFORMANCE LEVEL:
-1YY/1YYLF	TELCORDIA CO
-2YY/2YYLF	CUSTOMER SPECIAL
-3YY/3YYLF	CUSTOMER SPECIAL
-9YY/9YYLF	TELCORDIA CO

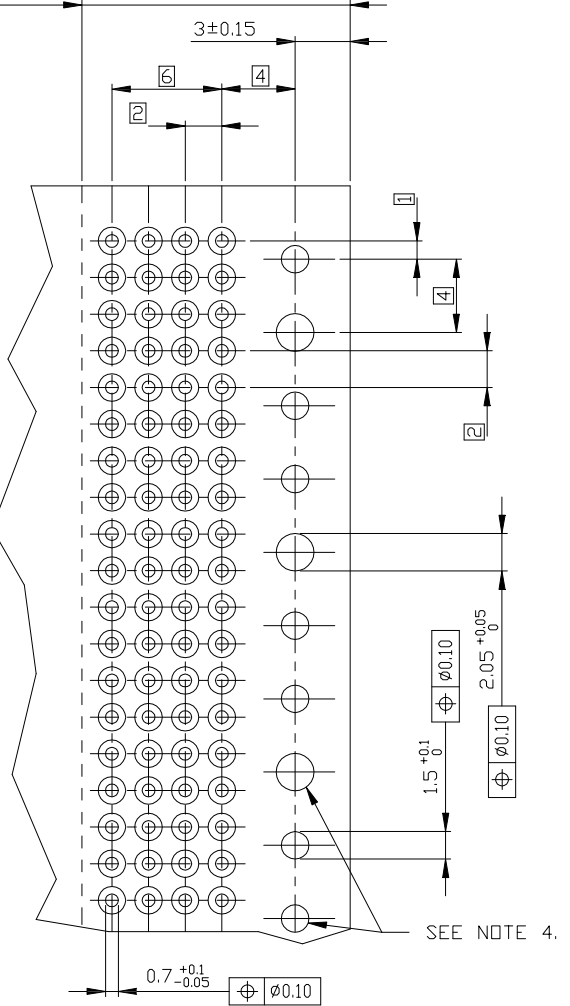
mat'l code		tolerances unless otherwise specified		CUSTOMER CDPY		FCI	
ltr	ecm	nodr	date	linear	projection	title	www.ficconnection.com
J	DG04-004	Clu	0412/21			RA FEMALE SIGNAL	
K	DG06-0478	Cenh	11/23/06			96 mm PRESS PEG	
L	DG07-071	Cenh	05/25/07	angles			
F	V91450	DDb	990827	dir	H.Bouwknecht	930202	product family METRAL(tn)
G	V00578	LLA	000316	engr	H. Bouwknecht	940311	code 213
H	V00847	LLA	000530	chr	Slee	930203	size/dwg no
sheet	revision	L	L	app	J.vintjes	930203	scale 5:1
index	sheet	1	2				A2 89038
							sheet 1 of 3

All rights strictly reserved. Reproduction or use in any form without written authority from the proprietor. Property of F.C.I. nv. © F.C.I. nv.

PC BOARD VERSIONS		
PRODUCTNR:	PCB THICKNESS	DIM"A"
89038-X02/X02LF	1.6	2.90
89038-X12/X12LF	2.4	3.53



14.64 REF. SEE NOTE 6



RECOMMENDED HOLE PATTERN, COMPONENT SIDE.

- NOTES:
- BODY MAT'L: LIQUID CRYSTAL POLYMER 30% GLASS
FLAME RETARDANT ACC. UL 94-V0
 - TERMINAL MATERIAL: PHOSPHOR BRONZE.
 - PLATING SOLDER TAILS 2-8 μm SnPb 90-97 OR 2-8 μm PURE Sn
 - INDICATED HOLES ARE UNPLATED.
 - PRODUCT MARKING: PART NUMBER & BATCH ID.
 - SET BACK FOR PRESS BLOCK.
 - DIAMOND LOCATION PEG ARE ONLY EXISTED ON THE BOTH SIDES OF PRODUCT.
 - TOP SURFACE OF PRESS BLOCK MAY EXTEND UP TO 0.4MM HIGHER THAN HOUSING. THIS MAY AFFECT THE TAIL LENGTH BEFORE APPLICATION TO A BOARD
 - THIS PRODUCT MEETS EUROPEAN UNION DIRECTIVES AND OTHER COUNTRY REGULATIONS AS DESCRIBED IN GS-22-008
 - THE HOUSING WILL WITHSTAND EXPOSURE TO 260DEGREE PEAK TEMPERATURE FOR 10 SECONDS IN A WAVE SOLDER APPLICATION.

PLATING CONTACT AREA:

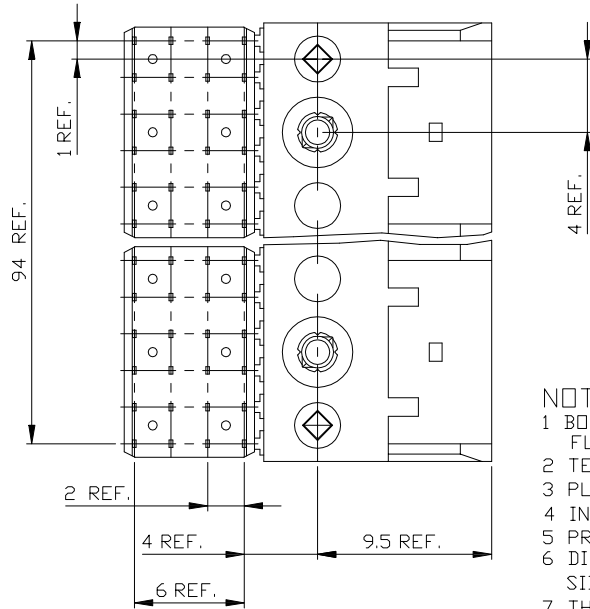
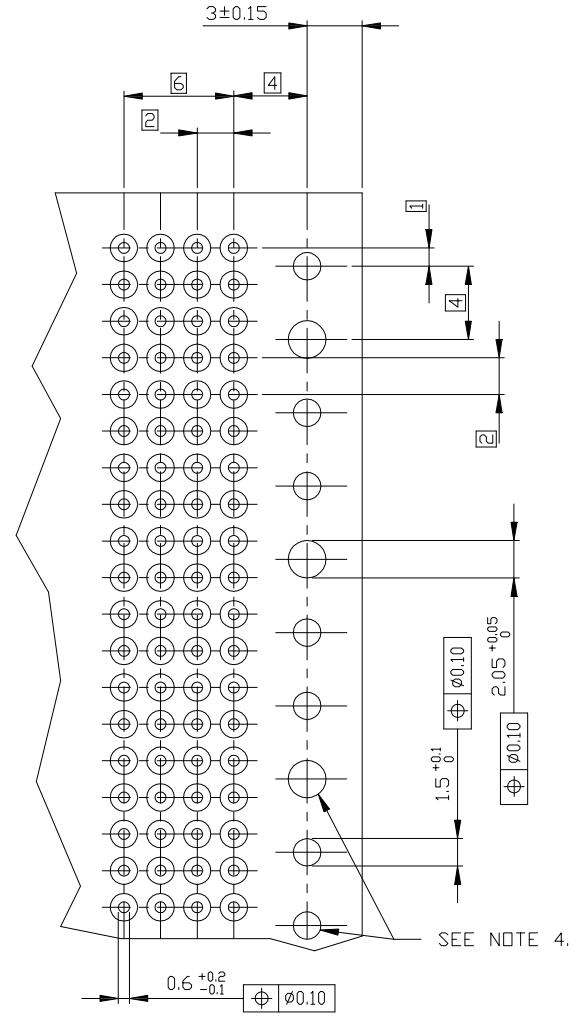
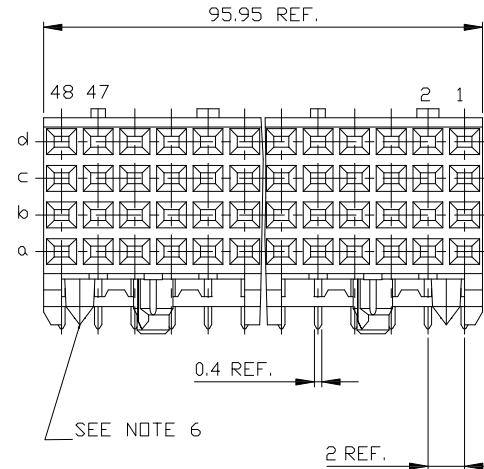
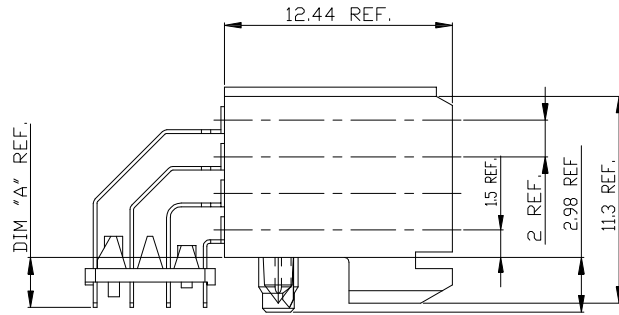
DASH NR:	PERFORMANCE LEVEL:
-1YY/1YYLF	TELCORDIA CO
-2YY/2YYLF	CUSTOMER SPECIAL
-3YY/3YYLF	CUSTOMER SPECIAL
-9YY/9YYLF	TELCORDIA CO

mat'l. code	tolerances unless otherwise specified	CUSTOMER CDPY	 www.fciconnection.com
ltr.ecn.nodr.date	linear	projection	
	angles	 mm product family METRAL(tm) code 213 size/dwg no 89038 sheet 2 of-	
sheet revision index	scale 5:1	dr. D. de Bil 970529 engr. P. Schalk 970529 chr. P. Schalk 970529 app. H. Cooljans 970529	

All rights strictly reserved. Reproduction or issue in any form without written authority from the proprietor. Property of F.C.I. nv. © F.C.I. nv.



PC BOARD VERSIONS		
PRODUCTNR:	PCB THICKNESS	DIM "A"
89038-X03/X03LF	1.6	2.90
89038-X13/X13LF	2.4	3.53



PRODUCT AFTER PC BOARD APPLICATION.

PC BOARD THICKNESS ±0.20
SEE TABLE

NOTES:

- 1 BODY MAT'L: LIQUID CRYSTAL POLYMER 30% GLASS
FLAME RETARDANT ACC. UL 94-V0
- 2 TERMINAL MATERIAL: PHOSPHOR BRONZE.
- 3 PLATING SOLDER TAILS 2-8 μm SnPb 90-97 OR 2-8 μm PURE Sn
- 4 INDICATED HOLES ARE UNPLATED.
- 5 PRODUCT MARKING: PART NUMBER & BATCH ID.
- 6 DIAMOND LOCATION PEG ARE ONLY EXISTED ON THE BOTH SIDES OF PRODUCT.
- 7 THIS PRODUCT MEETS EUROPEAN UNION DIRECTIVES AND OTHER COUNTRY REGULATIONS AS DESCRIBED IN GS-22-008.
- 8 THE HOUSING WILL WITHSTAND EXPOSURE TO 260 DEGREE PEAK TEMPERATURE FOR 10 SECONDS IN A WAVE SOLDER APPLICATION.

PLATING CONTACT AREA:

DASH NR:	PERFORMANCE LEVEL:
-1YY/1YYLF	TELCORDIA CO
-2YY/2YYLF	CUSTOMER SPECIAL
-3YY/3YYLF	CUSTOMER SPECIAL
-9YY/9YYLF	TELCORDIA CO

mat'l. code		tolerances unless otherwise specified		CUSTOMER CDY		FCJ	
ltr	ecnr	nodr	date	linear	projection	title RA FEMALE SIGNAL	
L				angles	⊕	96 mm PRESS PEG	
				dir	Heaven Cen	11/23/06	product family METRAL(tm)
				engr	Collins Lu	11/23/06	code 213
				chr	Ber Fu	11/23/06	scale 5:1
				app	Joseph Hsia	11/23/06	sheet 3 of 3
sheet	revision						
index	sheet						

All rights strictly reserved. Reproduction or issue in any form without written authority from the proprietor. Property of F.C.I. Inc. © F.C.I. Inc.

