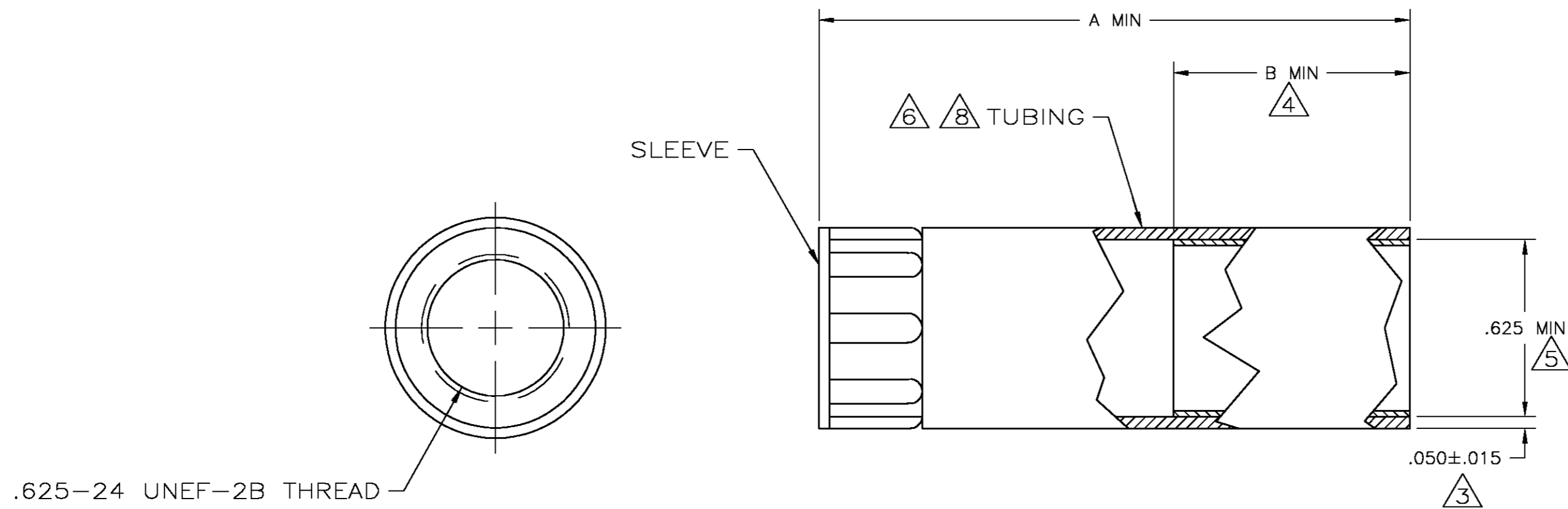


THIS DRAWING IS UNPUBLISHED. RELEASED FOR PUBLICATION
 © COPYRIGHT BY TYCO ELECTRONICS CORPORATION. ALL RIGHTS RESERVED.

LOC	DIST	REVISIONS			
P	LTR	DESCRIPTION	DATE	DWN	APVD
FT	0	Y	REVISED PER 0G3B-0668-02	12/18/02	SS SH



NOTES:

- 1. POLYOLEFIN, BLACK.
- 2. NYLON, BLACK.
- 3. NOMINAL WALL THICKNESS, EXPANDED.
- 4. LENGTH OF SEALANT.
- 5. EXPANDED INSIDE DIAMETER.
- 6. 6.35[.250] MAXIMUM RECOVERED INSIDE DIAMETER.
- 7. ASSEMBLY WILL PASS 0.0703 KG PER SQ CENTIMETER [ONE POUND PER SQ IN.] WATER PRESSURE TEST.
- 8. 121°C [250°F] SHRINK TEMPERATURE.
- 9. -55°C TO 110°C [-67°F TO 230°F] OPERATING TEMPERATURE.
- 10. THIS PART WILL ACCOMODATE $\phi 6.35 - \phi 15.24$ [$\phi .250 - \phi .600$] CABLE RANGE.

.70	1.62	54010-2
1.00	2.50	54010-1
B	A	PART NUMBER

THIS DRAWING IS A CONTROLLED DOCUMENT.		DWN C.REIFSNYDER 09 APR 96	Tyco Electronics Corporation Harrisburg, PA 17105	
DIMENSIONS: INCHES		CHK R.STONE 15 APR 95	NAME T.A.WETZEL	
TOLERANCES UNLESS OTHERWISE SPECIFIED:		APVD T.A.WETZEL 03 MAY 96	PRODUCT SPEC	
0 PLC ± -		APPLICATION SPEC		
1 PLC ± -		WEIGHT		
2 PLC ± -		SCALE 2:1		
3 PLC ± -		SHEET 1 OF 1		
4 PLC ± -		REV Y		
ANGLES ± -		CUSTOMER DRAWING		
FINISH -		RESTRICTED TO		
MATERIAL		SIZE CAGE CODE DRAWING NO		
TUBING: Δ		A2 00779 C=54010		
SLEEVE: Δ		-		