

MICRO SWITCH

FREEPORT ILLINOIS, U S A
A DIVISION OF HONEYWELL
FED. MFG. CODE 91929

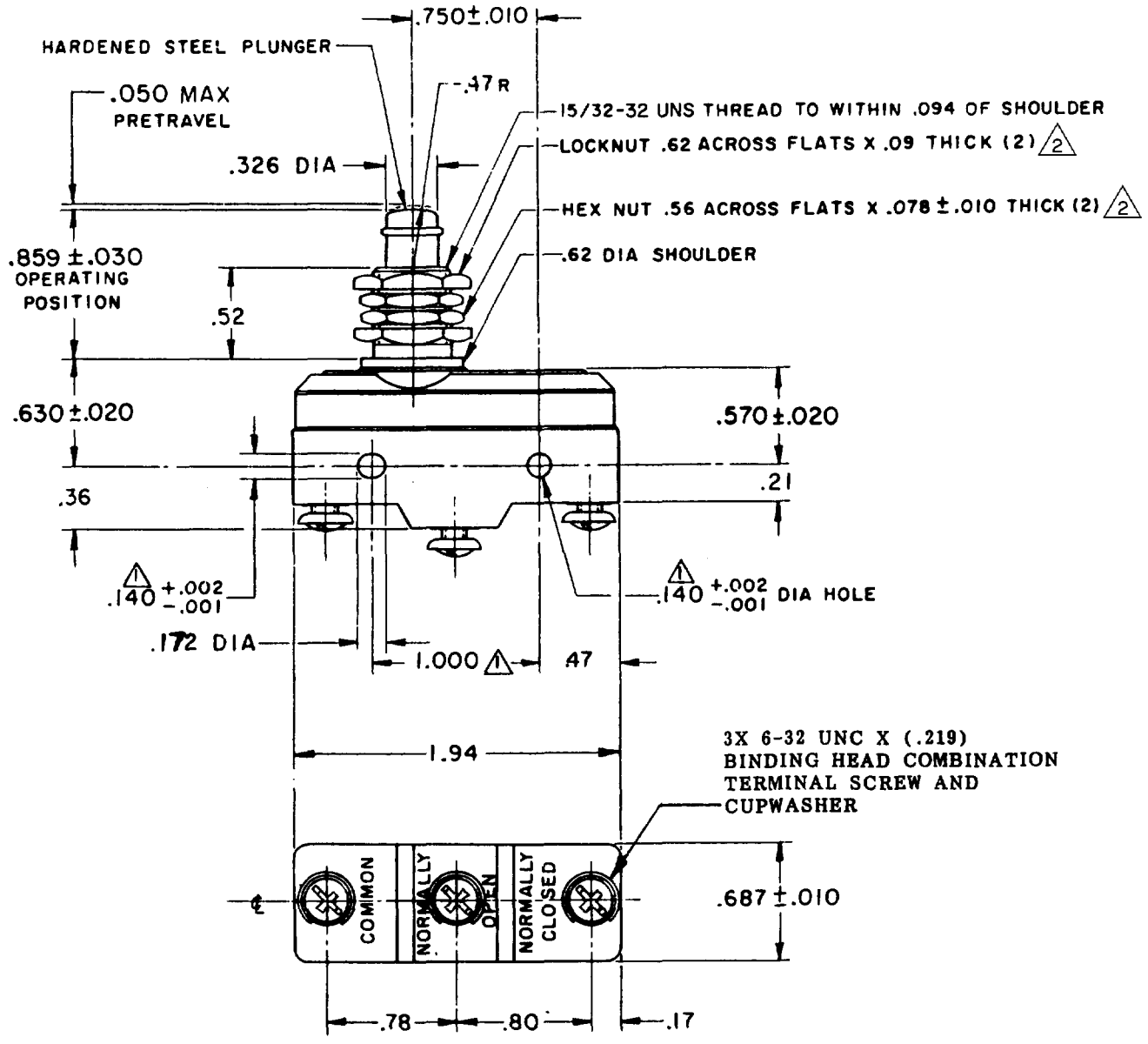
SWITCH-BASIC

CATALOG LISTING
BE-2RQ1-A2

BE-2RQ1-A2
 REPLACES X69099-BE
 DRAWING NUMBER
8
 ISSUE
5
 CHECK
 REVISIONS

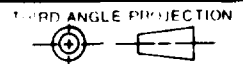
A	CO	58792	WJM	25 JAN 86
B	CO-	73287-J	JAL	22 NOV 93
C	CO	77590	SAD	9 JUN 94
D	CO-82133			

 CSL
 26 JUL 96
 CHECK
 19 JUNE 79
 CHECK
 C E B
 JUN 79
 DRAWN
 FO-52848-A
FORMTEK



- NOTES
- ① MOUNTING HOLES WILL ACCEPT PINS OR SCREWS OF .139 MAX DIA ON 1.000 ± .002 CENTERS
 - ② HARDWARE FURNISHED UNASSEMBLED

THIS DRAWING COVERS A PROPRIETARY ITEM AND IS THE PROPERTY OF MICRO SWITCH, A DIVISION OF HONEYWELL. THIS DRAWING IS NOT TO BE COPIED OR USED WITHOUT THE APPROVAL OF MICRO SWITCH.



CHARACTERISTICS	ELECTRICAL DATA	SCALE FULL																				
		DO NOT SCALE PRINT																				
OPERATING FORCE ----- 14-22 OZ	CONTACT ARRANGEMENT S P D T	TOLERANCES APPLY TO DESIGN UNITS. CONVERSIONS ARE ONLY FOR REFERENCE. UNLESS NOTED, TOLERANCES ARE:																				
RELEASE FORCE ----- 10 OZ MIN	25A-125 or 250VAC 1HP-125VAC; 2HP-250VAC	<table border="1"> <tr> <th>NO. PLACES</th> <th>DIM. mm</th> <th>TOL. mm/in</th> <th>DIM. in</th> <th>TOL. mm/in</th> </tr> <tr> <td>ONE PLACE</td> <td>X</td> <td>1/.04</td> <td>X X</td> <td>0.07/03</td> </tr> <tr> <td>TWO PLACES</td> <td>X.X</td> <td>0.4/.018</td> <td>X XX</td> <td>0.38/.015</td> </tr> <tr> <td>THREE PLACES</td> <td>X.XX</td> <td>0.15/.008</td> <td>X XXX</td> <td>0.13/.008</td> </tr> </table>	NO. PLACES	DIM. mm	TOL. mm/in	DIM. in	TOL. mm/in	ONE PLACE	X	1/.04	X X	0.07/03	TWO PLACES	X.X	0.4/.018	X XX	0.38/.015	THREE PLACES	X.XX	0.15/.008	X XXX	0.13/.008
NO. PLACES	DIM. mm	TOL. mm/in	DIM. in	TOL. mm/in																		
ONE PLACE	X	1/.04	X X	0.07/03																		
TWO PLACES	X.X	0.4/.018	X XX	0.38/.015																		
THREE PLACES	X.XX	0.15/.008	X XXX	0.13/.008																		
DIFFERENTIAL TRAVEL --- .0020 --- .0075	PILOT DUTY 750VA-125, 250, 277VAC	<input type="checkbox"/> SI METRIC <input checked="" type="checkbox"/> US CUSTOMARY																				
OVERTRAVEL ----- .094 MIN	60/75°C (Cv)	DESIGN UNITS <input type="checkbox"/> <input checked="" type="checkbox"/>																				
		WEIGHT .084 LB																				