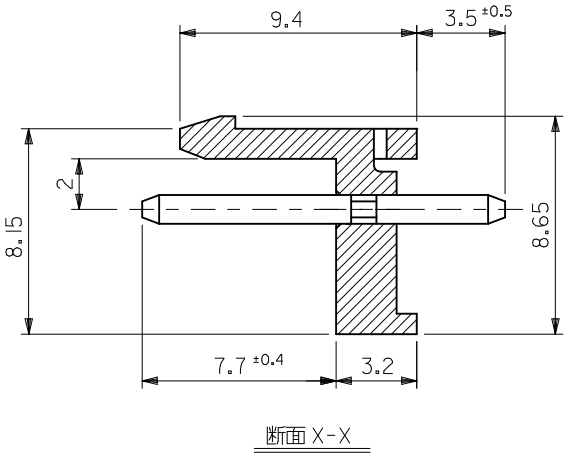
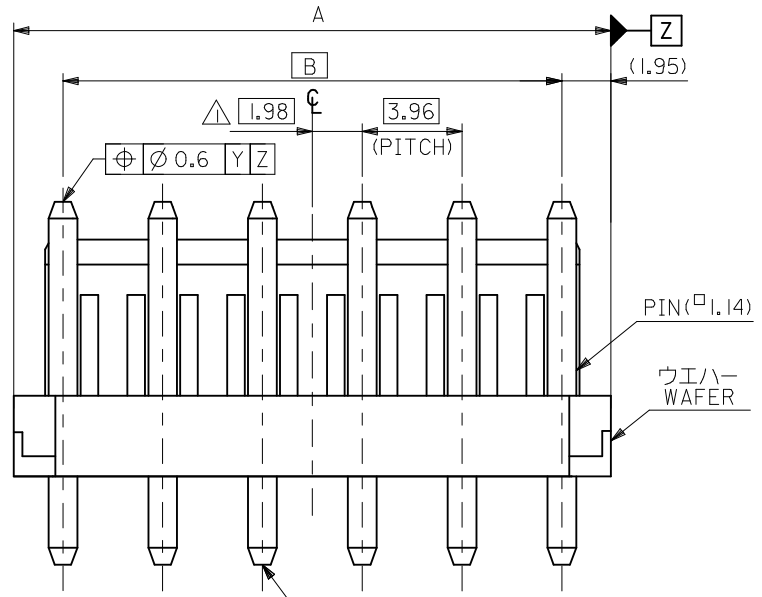


基板取付穴推奨寸法 (±1.6)
RECOMMENDED P.C. BOARD HOLE DIM.

注記
NOTES

- △ 偶数極品に適用。
APPLIES ONLY TO EVEN NO. CKT. SIZES.
- 2. 嵌合相手: 51144 シリーズ
MATES WITH: 51144 SERIES.
- 3. 製品型番の下一桁は色を表します。
LAST DIGIT OF PART NUMBER INDICATES COLOR.
0: 白 WHITE 1: 黒 BLACK 2: 赤 RED 3: 黄 YELLOW 4: 青 BLUE
5: 灰 GRAY 6: 緑 GREEN



43.56	47.46	53520-122*	12
39.6	43.5	-112*	11
35.64	39.54	-102*	10
31.68	35.58	-092*	9
27.72	31.62	-082*	8
23.76	27.66	-072*	7
19.8	23.7	-062*	6
15.84	19.74	-052*	5
11.88	15.78	-042*	4
7.92	11.82	-032*	3
3.96	7.86	53520-022*	2
B	A	MATERIAL NO.	極数 NO. OF CKTS.

MATERIAL 材料	ウエハー : 66NYLON WAFER UL94V-0 ピン : リン青銅 銅下地銅メッキ PIN : PHOS.BRO. TIN OVER COPPER PLATING.
FINISH 仕上げ	— // —
WIRE RANGE 適用電線範囲	— // —
INS. RANGE 被覆外径	— // —

REVISED	EC NO. J2009-0347
DRWN: NAKAMURA	2008/08/26
CHKD: T. HARIYAMA	2008/08/26
APPR: NUKITA	2009/01/13
REV	DESCRIPTION

GENERAL TOLERANCES (UNLESS SPECIFIED)	
10 UNDER	±0.2
10 OVER 30 UNDER	±0.25
30 OVER	±0.3
ANGULAR	±3 °
DRAFT WHERE APPLICABLE MUST REMAIN WITHIN DIMENSIONS	

DIMENSION STYLE MM ONLY	
DRAWN BY	DATE
A. IDA	2004/04/16
CHECKED BY	DATE
H. TAKASE	2004/04/16
APPROVED BY	DATE
J. MIYAZAWA	2004/04/16
MATERIAL NO.	
SEE TABLE	
SIZE	A3

SCALE	5:1
DESIGN UNITS	METRIC
THIRD ANGLE PROJECTION	
TITLE	
3.96 WAFER ASSY WITH LOCK -LEAD FREE-	
MOLEX INCORPORATED	
DOCUMENT NO.	SD-53520-001
SHEET NO.	1 OF 2
THIS DRAWING CONTAINS INFORMATION THAT IS PROPRIETARY TO MOLEX INCORPORATED AND SHOULD NOT BE USED WITHOUT WRITTEN PERMISSION	

10 9 8 7 6 5 4 3 2 1

F

F

E

E

D

D

C

C

B

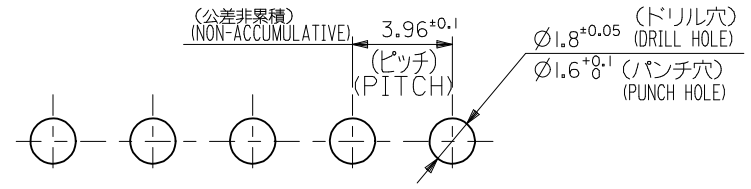
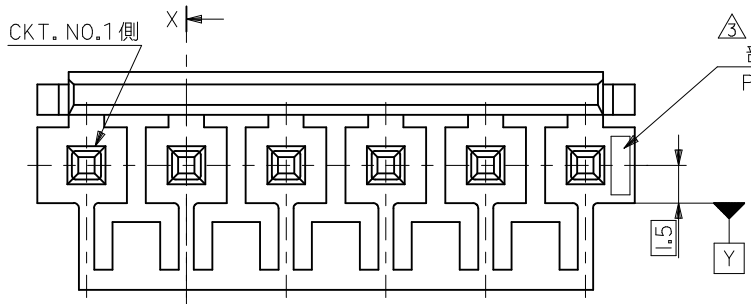
B

A

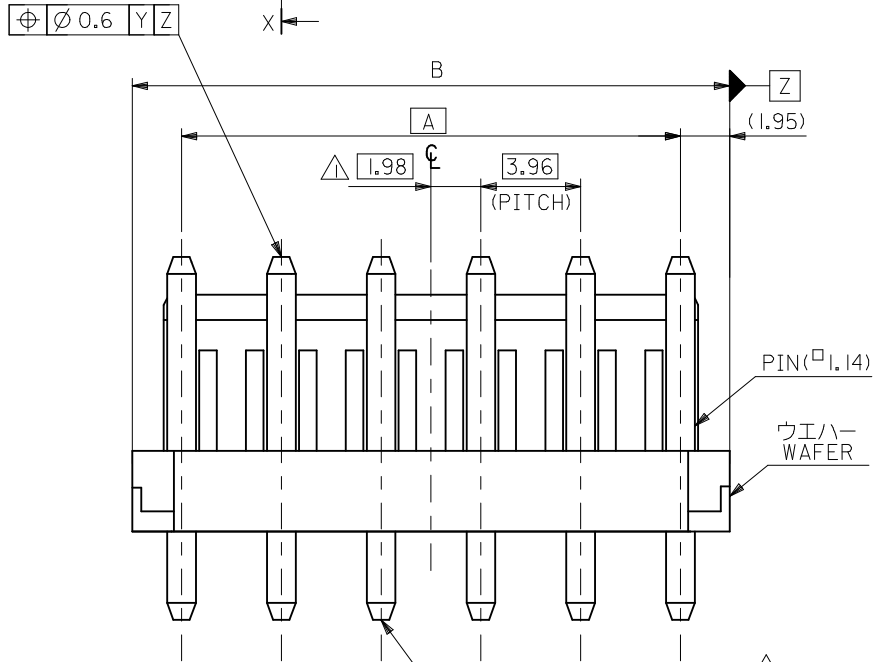
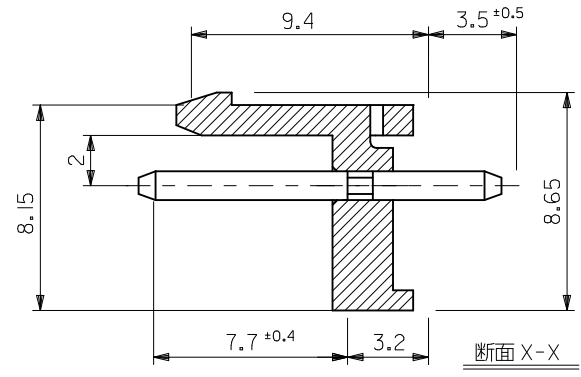
A

						53520-1220	12
						53520-1120	11
						53520-1020	10
						53520-0920	9
			53520-0823	53520-0822		53520-0820	8
						53520-0720	7
						53520-0620	6
53520-0526						53520-0520	5
53520-0426		53520-0424	53520-0423	53520-0422		53520-0420	4
			53520-0323		53520-0321	53520-0320	3
53520-0226	53520-0225	53520-0224	53520-0223	53520-0222	53520-0221	53520-0220	2
53520-**26 COLOR : GREEN	53520-**25 COLOR : GRAY	53520-**24 COLOR : BLUE	53520-**23 COLOR : YELLOW	53520-**22 COLOR : RED	53521-**21 COLOR : BLACK	53520-**20 COLOR : WHITE	極数 NO. OF CKTS.
MATERIAL NO.							

REVISED EC NO: J2009-0347 DRWN: KAKURAA 2008/08/26 CHKD: T. HARUYAMA 2008/08/26 APPR: NUKITA 2009/01/13	GENERAL TOLERANCES (UNLESS SPECIFIED)		DIMENSION STYLE MM ONLY		SCALE 5:1	DESIGN UNITS METRIC	THIRD ANGLE PROJECTION
	10 UNDER	±0.2	DRAWN BY A. IDA	DATE 2004/04/16	TITLE 3.96 WAFER ASSY WITH LOCK -LEAD FREE- MOLEX INCORPORATED DOCUMENT NO. SD-53520-001 SHEET NO. 2 OF 2		
	10 OVER 30 UNDER	±0.25	CHECKED BY H. TAKASE	DATE 2004/04/16			
	30 OVER	±0.3	APPROVED BY J. MIYAZAWA	DATE 2004/04/16			
ANGULAR ±3 °		MATERIAL NO. SEE TABLE					
DRAFT WHERE APPLICABLE MUST REMAIN WITHIN DIMENSIONS		THIS DRAWING CONTAINS INFORMATION THAT IS PROPRIETARY TO MOLEX INCORPORATED AND SHOULD NOT BE USED WITHOUT WRITTEN PERMISSION					



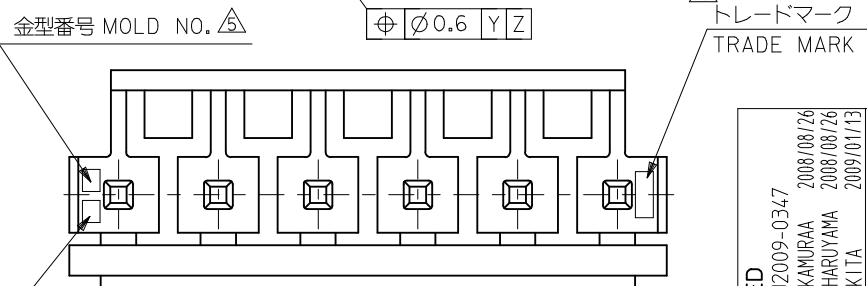
基板取付穴推奨寸法(±1.6)
RECOMMENDED P.C.BOARD HOLE DIM.



注記 NOTES

- △ 偶数極品に適用。
APPLIES ONLY TO EVEN NO. CKT. SIZES.
- 2. 嵌合相手 : 51144 シリーズ
MATES WITH : 51144 SERIES.
- △ 53520と表示。
INDICATE 53520.
- △ MXプラス1文字のアルファベットで構成。(例 MXJ)
FORMED BY MX AND 1 MORE LETTER OF ALPHABET.
(e.g. MXJ)
- △ キャビティー番号 : 1桁~2桁の数字で構成。(例 A1, B12)
金型番号 : アルファベット1文字で構成。
CAVITY NO. : FORMED BY 1 DIGIT TO 2 DIGIT NUMBERS.
MOLD NO. : FORMED BY 1 LETTER OF ALPHABET.
(e.g. A1, B12)

47.46	43.56	53520-1220	12
43.5	39.6	↑ -1120	11
39.54	35.64	-1020	10
35.58	31.68	-0920	9
31.62	27.72	-0820	8
27.66	23.76	-0720	7
23.7	19.8	-0620	6
19.74	15.84	-0520	5
15.78	11.88	-0420	4
11.82	7.92	↓ -0320	3
7.86	3.96	53520-0220	2
B	A	MATERIAL NO.	極数 NO. OF CKTS.



材料 ウエハー : 66NYLON
MATERIAL WAFER UL94V-0
ピン : リン青銅, 銅下地銅メッキ
PIN : PHOS.BRO., TIN OVER
COPPER PLATING.

REVISED EC NO. : J2009-0347 DRWN:NAKAMURAA 2008/08/26 CHKD:T. HARUYAMA 2008/08/26 APPR:NUKITA 2009/01/13	GENERAL TOLERANCES (UNLESS SPECIFIED)		DIMENSION STYLE MM ONLY	SCALE 5:1	DESIGN UNITS METRIC	MODEL NO. 53520-**20
	10 UNDER	±0.2	DRAWN BY Y. MIZUNO	DATE '97/7/15	TITLE 3.96 WAFER W/LOCK	THIRD ANGLE PROJECTION
	10 OVER 30 UNDER	±0.25	CHECKED BY Y. MIZUNO	DATE '97/7/30	MATERIAL NO.	SHEET NO. 1 OF 1
	30 OVER	±0.3	APPROVED BY M. FUKUSHIMA	DATE '97/7/30	DOCUMENT NO. SD-53520-003	
	ANGULAR ±3 °	DRAFT WHERE APPLICABLE MUST REMAIN WITHIN DIMENSIONS	SIZE A3	THIS DRAWING CONTAINS INFORMATION THAT IS PROPRIETARY TO MOLEX INCORPORATED AND SHOULD NOT BE USED WITHOUT WRITTEN PERMISSION		