

## Twin-head system



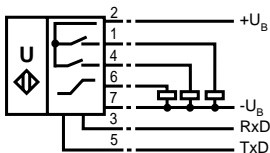
## UC300-F43-2KIR2-V17

## Features

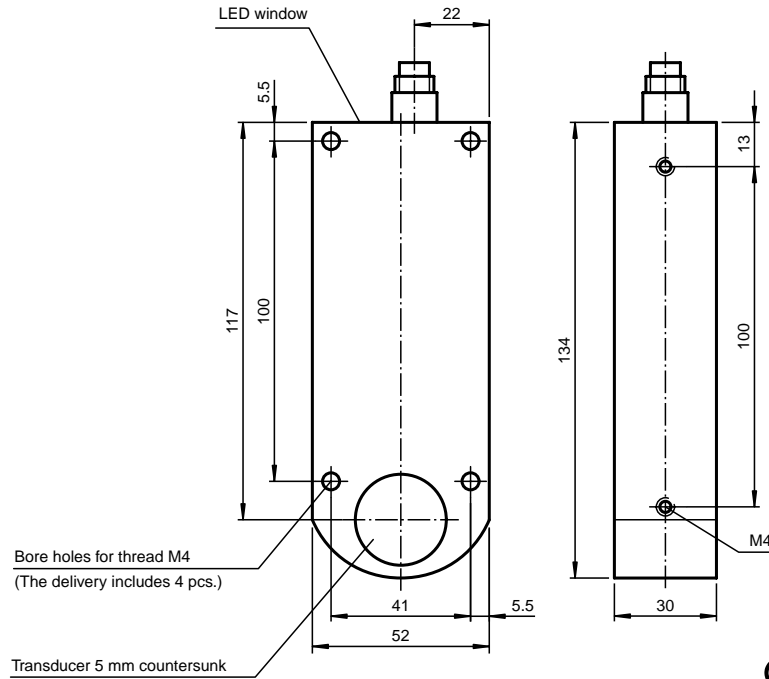
- Current output
- 2 Relays
- Serial Interfaces
- Temperature compensation
- Watchdog
- Reverse polarity protection
- Parameterisable

## Electrical connection

Standard symbol/Connection:



## Dimensions



## Technical data

### General specifications

Sensing range	0 ... 300 mm
Standard target plate	100 mm x 100 mm
Unusable area	0 mm
Transducer frequency	approx. 380 kHz
Response delay	minimum (EM; NONE): ≤20 ms (2 measuring cycles) factory setting (EM, MXN, 5, 2): ≤60 ms (6 measuring cycles) dynamic (EM,DYN): ≤30 ms (3 measuring cycles) EN 60947-5-2

### Standard conformity

### Indicating/Operating means

LED green	continuous: object in the measuring window flashing: object outside the measuring window error (e. g. interference level too high)
LED red	

### Electrical specifications

Rated operational voltage $U_e$	10 ... 30 V DC without current output function 15 ... 30 V DC with current output function Ripple $\pm 10\%$ $\%_{SS}$
Power consumption $P_0$	≤ 2 W (all relays pulled-in, current output 20 mA) no-load power consumption ≤ 0.7 W

### Output

Output type	2 relay outputs, 1 analogue output 4 ... 20 mA
Contact loading	60 V DC / 1 A (max. 24 W DC), ohmic
Lifetime	electrical: $3 \times 10^5$ operating cycles at ohm. Load (1 A / 24 V DC) mechanical: $10^7$ operating cycles

Range hysteresis	H	0 ... 15 % Parameterisable
Repeat accuracy		≤ 0.1 %
Resolution		0.17 mm
Load impedance		current output: ≤ 500 Ohm
Deviation of the characteristic curve		< 0.2 % of final value
Temperature influence		≤ 2 %, internal temperature compensation

### Interface

Interface type	RS 232, 9600 bit/s, no parity, 8 data bits, 1 stop bit
----------------	--

### Ambient conditions

Ambient temperature	0 ... +70 °C (273 ... 343 K)
Storage temperature	-40 ... +85 °C

### Mechanical specifications

Protection degree	IP65 according to EN 60529
Connection type	8-pin round connector, Lumberg type RSF 8
Material	
Housing	PBT
Mass	290 g

## Note

Thanks to its extensive command set, the sensor can be configured to suit the application via the RS 232 interface.

### RS 232 command set (overview)

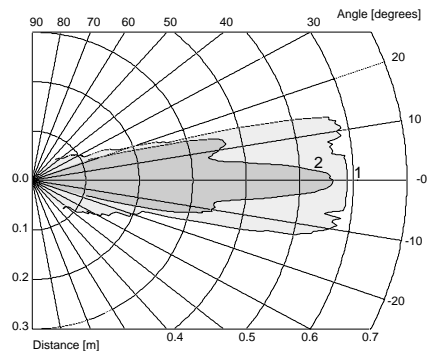
Command	Meaning	Parameter	Access
VS0	Velocity of Sound at 0 °C	Velocity of sound at 0 °centigrade VS0 in [cm/s] {10000 ... 60000}	read and set
VS	Velocity of Sound	Velocity of sound VS in [cm/s]	read
TO	Temperature Offset	TO in [0.1K]	read and set
TEM	TEMPerature	TEM in [0.1K]	read and adapt to TO
REF	REFerence measurement	REF distance in [mm] {0 ... 600}	adaptation of VS0
SD1	Switching Distance 1	Switching point, relay 1 SD1 in [mm] {0 ... 600}	read and set
SD2	Switching Distance 2	Switching point, relay 2 SD2 in [mm] {0 ... 600}	read and set
SH1	Switching Hysteresis 1	Hysteresis, relay 1 in [%] {0 ... 15}	read and set
SH2	Switching Hysteresis 2	Hysteresis, relay 2 in [%] {0 ... 15}	read and set
NDE	Near Distance of Evaluation	Near measuring window limit in [mm] {0 ... 600}	read and set
FDE	Far Distance of Evaluation	Far measuring window limit in [mm]{0 ... 600}	read and set
BR	Blind Range	Unusable area in [mm] {0 ... 600}	read and set
CBT	Constant Burst Time	Burst length in [µs] {0,1, 2, 3}	read and set
CCT	Constant Cycle Time	Time in [ms] {0 ... 1000}	read and set
FTO	Filter TimeOut	Number of measurements without echo to be filtered {0 ... 255}	read and set
EM	Evaluation Method	Evaluation method { 0 = NONE; PT1[.f,p,c]; MXN[.m,n]; DYN[.p] }	read and set
CON	CONservative filter	Counter threshold as number {0 ... 255}	read and set
OM	Output Mode	OM coded [normally-open NO = 0, normally-closed NC = 1]	read and set
FSF	Fail Safe Function	Failure function type e.g. FSF,11,35 {0,1,2}, [fault current in 0.1 mA]	read and set
MD	Master Device	Function as master {0 = NONE},AD,RD,RT,SS,ADB,RDB,RTB }	read and set
MA	Main Application	Determines whether the green LED orients itself according to NDE, FDE or SD1 and SD2	read and set
NEF	No Echo Failure	Sensor behavior when no echo is present {0,1}	read and set
AD	Absolute Distance	Distance in [mm]	read
RD	Relative Distance	Relative distance as number {0 ... 4095}	read
RT	RunTime	Echo run time in machine cycles [1 machine cycle = 1.085 µs]	read
SS1	Switching State 1	SS1 binary [0: inactive, 1 active] (independent of OM)	read
SS2	Switching State 2	SS2 binary [0: inactive, 1 active] (independent of OM)	read
ADB	Absolute Distance Binary	Distance in [mm] not as ASCII	read
RDB	Relative Distance Binary	Relative distance as number {0 ... 4095} not as ASCII	read
RTB	RunTime Binary	Echo run time in machine cycles [1 machine cycle = 1.085 µs] not as ASCII	read
ER	Echo Received	Echo detected: no, yes [0/1]	read
VER	VERsion	Version string: xxxx	read
ID	IDentification	ID string: P&F UC300-F43-2KIR2-V17...	read
DAT	DATE	Date string: e.g. Date: e.g. 04/12/99 Time: 11:14:35	read
ST	STatus	Status as hexadecimal string	read
RST	ReSeT	Performs a reset	Command
DEF	DEFault settings	Restores defaults	Command
SUC	Store User Configuration	Stores all settings	Command
RUC	Recall User Configuration	Restores stored settings	Command

## Model number

UC300-F43-2KIR2-V17

## Characteristic curves/ Additional information

### Characteristic response curves



Curve 1: flat plate 100 mm x 100 mm  
Curve 2: round bar, Ø 25 mm

### Basic setting

#### OM:

Relay 1: NO  
Relay 2: NO

#### SD1/SD2:

Switch point relay 1 = 25 mm  
Switch point relay 2 = 50 mm

#### NDE/FDE:

Analogue output: 4 mA ⇒ 25 mm  
20 mA ⇒ 300 mm

#### FSF:

Error ⇒ Relay 1 and 2: latest state  
⇒ Analogue output: IOUT = 3,9 mA

#### NEF:

No echo ⇒ error message

#### MA,S:

Switching mode