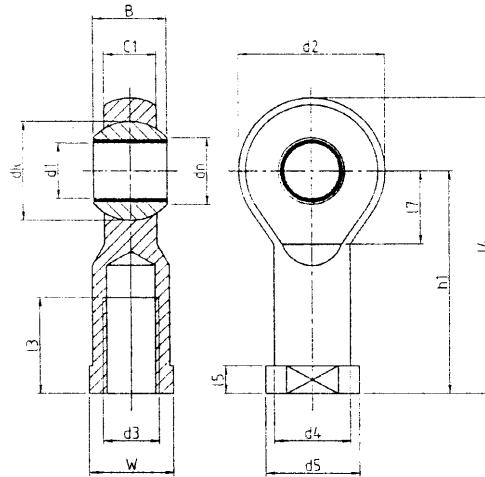
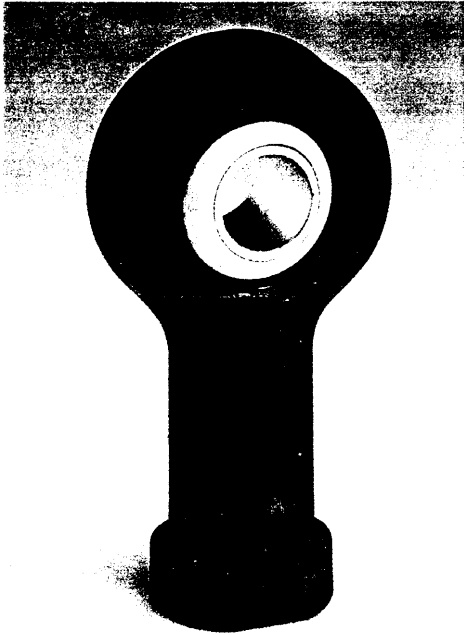


igubal® rod end with stainless steel insert



igubal® rod end with stainless steel insert

igubal® rod end

- can be fixed by a bolt through the ball
- higher clamping torque than for rod ends without stainless steel insert
- maintenance free dry operation
- self aligning
- resistant against corrosion and chemicals
- low weight
- dimensions corresponding to DIN 648 type K and E
- male and female thread

dimension table

for rod end KBRM-xx MH/ KBLM-xx MH with stainless steel insert 1.4571

Part no		d 1	d n	d 2	d 3	d 4	d 5	C 1	B	h 1	l 3	l 4	l 5	l 7	W
right hand thread	left hand thread	+/-0.05													
KBRM-06 MH	KBLM-06 MH	6,00	8,90	20,00	M 06	10,00	13,00	7,00	9,00	30,00	14,00	40,00	5,00	10,00	SW 11
KBRM-08 MH	KBLM-08 MH	8,00	10,30	24,00	M 08	13,00	16,00	9,00	12,00	36,00	17,00	48,00	5,00	12,00	SW 14
KBRM-10 MH	KBLM-10 MH	10,00	12,90	30,00	M 10	15,00	19,00	10,50	14,00	43,00	20,00	58,00	6,50	14,00	SW 17
KBRM-10 M10x1,25 MH	KBLM-10 M10x1,25 MH	10,00	12,90	30,00	M 10 x 1,25	15,00	19,00	10,50	14,00	43,00	20,00	58,00	6,50	14,00	SW 17
KBRM-12 MH	KBLM-12 MH	12,00	15,40	34,00	M 12	18,00	22,00	12,00	16,00	50,00	24,00	67,00	6,50	16,00	SW 19
KBRM-12 M12x1,25 MH	KBLM-12 M12x1,25 MH	12,00	15,40	34,00	M 12 x 1,25	18,00	22,00	12,00	16,00	50,00	24,00	67,00	6,50	16,00	SW 19
KBRM-14 MH	KBLM-14 MH	14,00	16,80	38,00	M 14	20,00	25,00	13,50	19,00	57,00	28,00	76,00	8,00	18,00	SW 22
KBRM-16 MH	KBLM-16 MH	16,00	19,30	42,00	M 16	22,00	27,00	15,00	21,00	64,00	31,00	85,00	8,00	21,00	SW 22
KBRM-16 M16x1,5 MH	KBLM-16 M16x1,5 MH	16,00	19,30	42,00	M 16 x 1,5	22,00	27,00	15,00	21,00	64,00	31,00	85,00	8,00	21,00	SW 22
KBRM-18 MH	KBLM-18 MH	18,00	21,80	46,00	M 18	25,00	31,00	16,50	23,00	71,00	35,00	94,00	10,00	23,00	SW27
KBRM-20 MH	KBLM-20 MH	20,00	24,30	50,00	M 20 x 1,5	28,00	34,00	18,00	25,00	77,00	38,00	102,00	10,00	25,00	SW 30
KBRM-20 M20 MH	KBLM-20 M20 MH	20,00	24,30	50,00	M 20	28,00	34,00	18,00	25,00	77,00	38,00	102,00	10,00	25,00	SW 30

Please ask for delivery time.

igubal® rod end with
stainless steel insert

igus® GmbH P.O.BOX 906123
51127 Köln

Phone ++49/02203/9649 - 0
Fax ++49/02203/9649 - 222

Internet: <http://www.igus.de>
email: info@igus.de