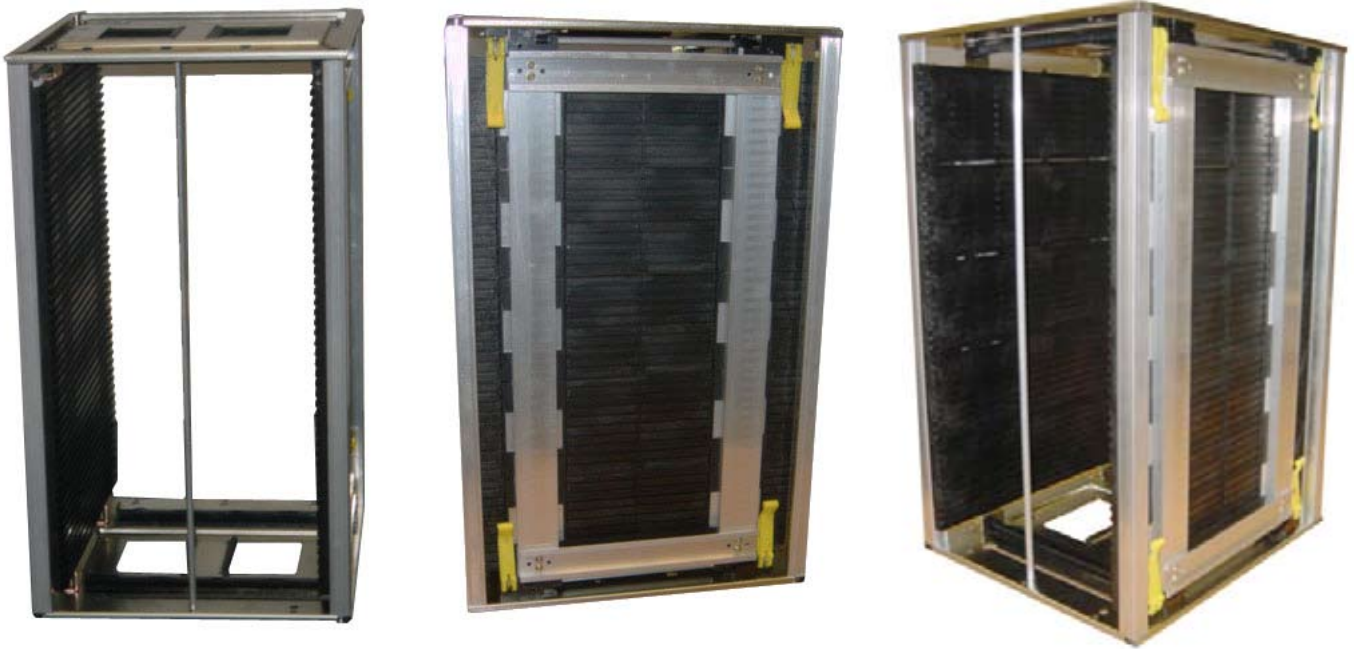
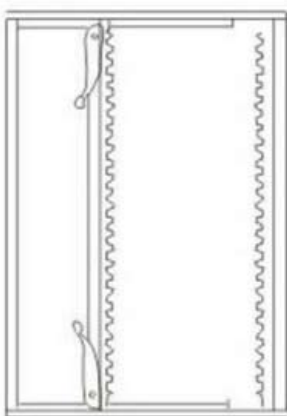


# SMT Magazine Rack

- SMT Magazine rack is designed for the manufacture, assembly, storage and transfer of PCB
- Gear adjustment
- Common type (60°C) and heat resistant type (120°C, 160-200°C) are available
- Surface Resistance:  $10^4 - 10^6$  Ohms

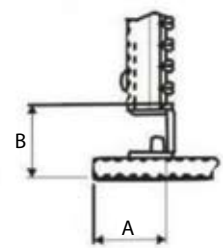
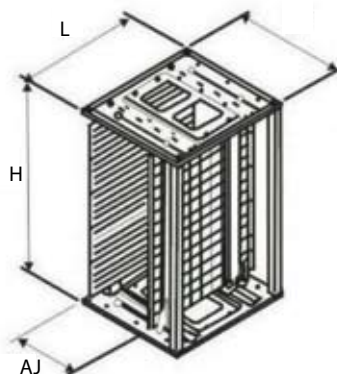


PN:	Base Material:	Adjust:	Max Term:	Exterior Size L x W x H (mm):	Adjust (mm):	Ref Position (mm):	Guide Slot:	PCB Slots:	Weight (kg):
B0103	Metal	Gear track	120°C	355 x 320 x 563	50-250	A34 B34	D3.5 Ws5.0 P10.0	50	5.6

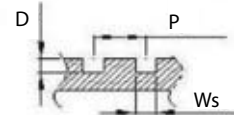


Adjustable Width

Magazine Dimensions



Reference Position



Side Guide Slot Size

Disclaimer This data sheet and its contents (the "Information") belong to the Premier Farnell Group (the "Group") or are licensed to it. No licence is granted for the use of it other than for information purposes in connection with the products to which it relates. No licence of any intellectual property rights is granted. The Information is subject to change without notice and replaces all data sheets previously supplied. The Information supplied is believed to be accurate but the Group assumes no responsibility for its accuracy or completeness, any error in or omission from it or for any use made of it. Users of this data sheet should check for themselves the Information and the suitability of the products for their purpose and not make any assumptions based on information included or omitted. Liability for loss or damage resulting from any reliance on the Information or use of it (including liability resulting from negligence or where the Group was aware of the possibility of such loss or damage arising) is excluded. This will not operate to limit or restrict the Group's liability for death or personal injury resulting from its negligence. SPC Multicomp is the registered trademark of the Group. © Premier Farnell plc 2008.

## SMT Magazine Rack

Technical Properties:	Test Method:	4540 EVA Copolymer Compound/1801 Sheet Stock Typical Value*	4520 EVA Copolymer Compound/1840 Sheet Stock Typical Value**
Hardness	ASTM D2240	58 – 62 Shore D	67-71 Shore D
Heat Deflection Temp.	ASTM D648	38° - 43° C @ 264 PSI	100° C @ 66 PSI 50° C @ 264 PSI
Water Absorption	ASTM 570	0.1 – 0.2%	0.1 – 0.2%
Vocat Softening	ASTM D1525	88° – 92° C	148° C
Flammability	ASTM D635	4.5 – 5.5 cm/min.	2 cm/min.
Impact Resistance	ASTM D265	2.9 – 3.7 ft.-lbs./in. @ 72° F	8 – 10 ft.-lbs./in. @ 72° F
Notched Izod		0.6 – 1.3 7 ft.-lbs./in. @ 25° F	7 – 9 ft.-lbs./in. @ 25° F
Maximum Temp. Exposure	3M	150° F	180° F
Tensile Strength	ASTM D638	1700 – 2000 PSI	2800 – 3000 PSI
Flex Modulus	ASTM D790	40,000 – 50,000 PSI	130,000 – 150,000 PSI
Mold Shrinkage	ASTM 955	15 – 20 mil/in.	10 – 20 mil/in.
Electrical Conductance			
Volume Conductive	ASTM D991	<500 ohm-cm	<500 ohm-cm
Chemical Resistance	ASTM D543		
Alcohol		Resistant	Resistant
Aromatic Hydrocarbons		Severe Attack	Severe Attack
Aliphatic Hydrocarbons		Moderate Attack	Moderate Attack
Concentrated Acids		Slight Attack	Slight Attack
Concentrated Alkalines		Slight Attack	Slight Attack
Dilute Acids		Resistant	Resistant
Dilute Alkalines		Resistant	Resistant
Kerosene		Severe Attack	Severe Attack
Ketones (Acetone)		Moderate Attack	Moderate Attack
Mineral Oil		Slight Attack	Slight Attack
Oil & Gasoline		Moderate Attack	Moderate Attack

Product Code:	Description:	Dimensions L x W x H (mm):	Additional Notes:
1735507	SMT Magazine Rack	355 x 320 x 563	Each (Ref: 025-0400)

Disclaimer This data sheet and its contents (the "Information") belong to the Premier Farnell Group (the "Group") or are licensed to it. No licence is granted for the use of it other than for information purposes in connection with the products to which it relates. No licence of any intellectual property rights is granted. The Information is subject to change without notice and replaces all data sheets previously supplied. The Information supplied is believed to be accurate but the Group assumes no responsibility for its accuracy or completeness, any error in or omission from it or for any use made of it. Users of this data sheet should check for themselves the Information and the suitability of the products for their purpose and not make any assumptions based on information included or omitted. Liability for loss or damage resulting from any reliance on the Information or use of it (including liability resulting from negligence or where the Group was aware of the possibility of such loss or damage arising) is excluded. This will not operate to limit or restrict the Group's liability for death or personal injury resulting from its negligence. SPC Multicomp is the registered trademark of the Group. © Premier Farnell plc 2008.