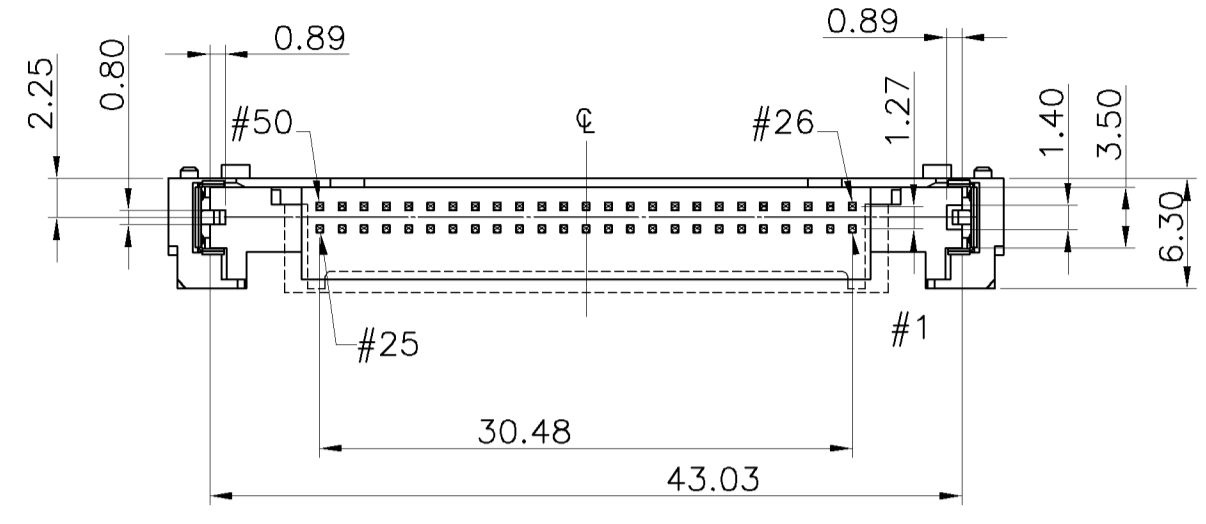
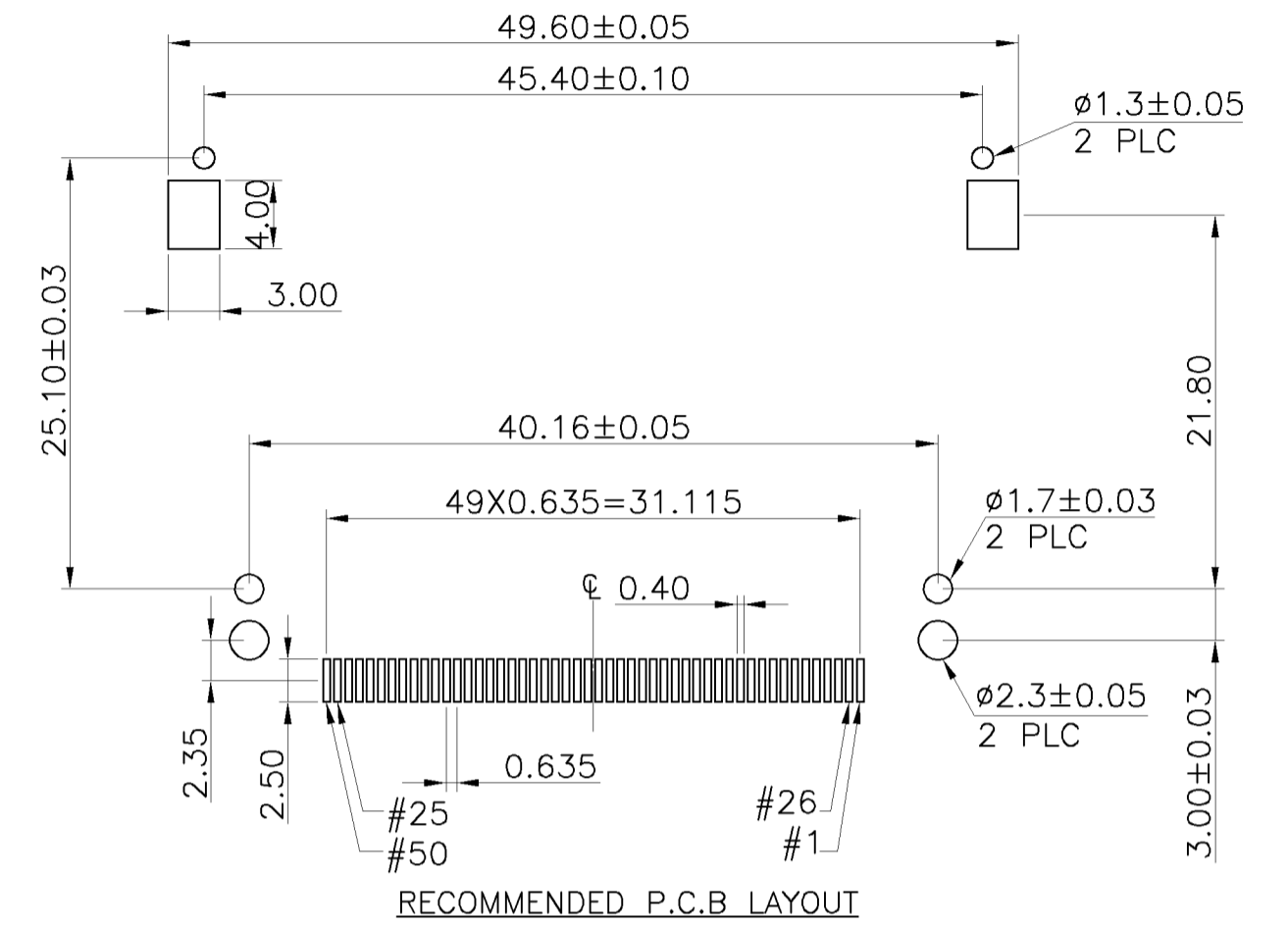


THIS DRAWING IS UNPUBLISHED. RELEASED FOR PUBLICATION  
 © COPYRIGHT BY TYCO ELECTRONICS CORPORATION. ALL RIGHTS RESERVED.

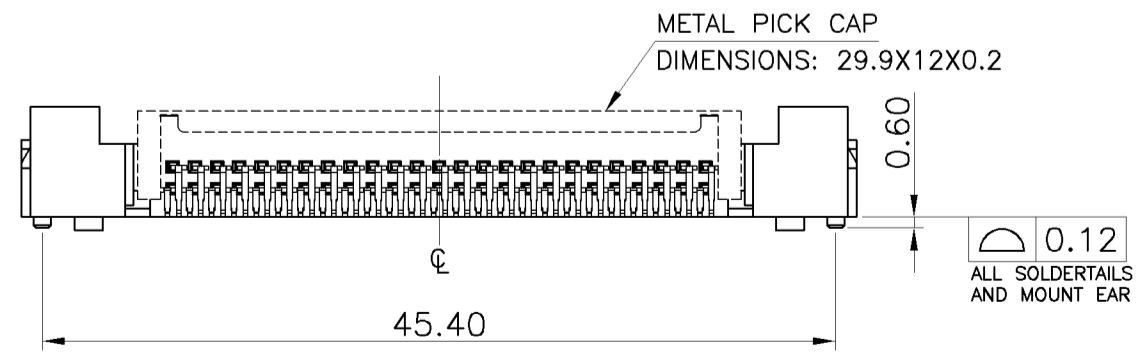
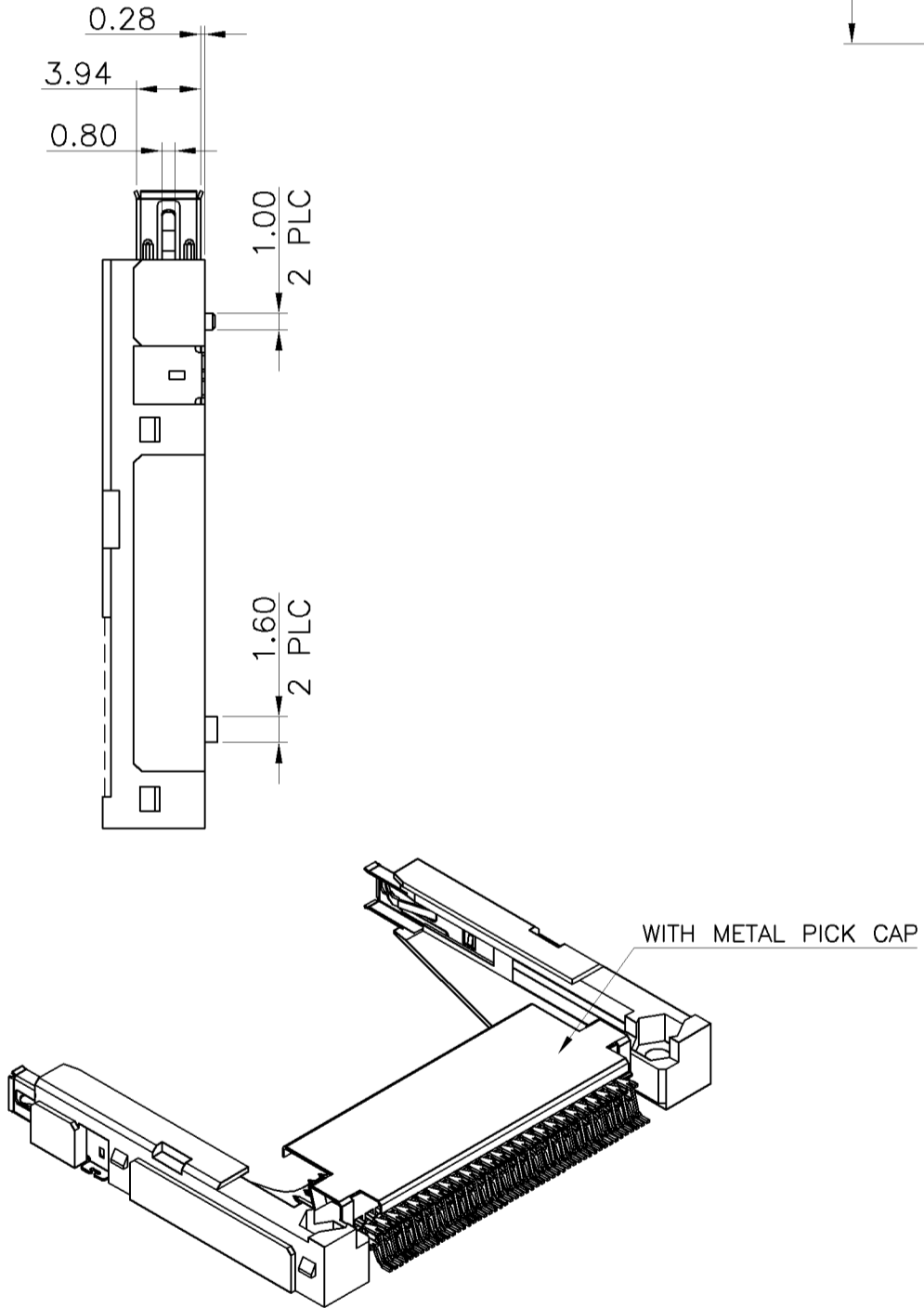
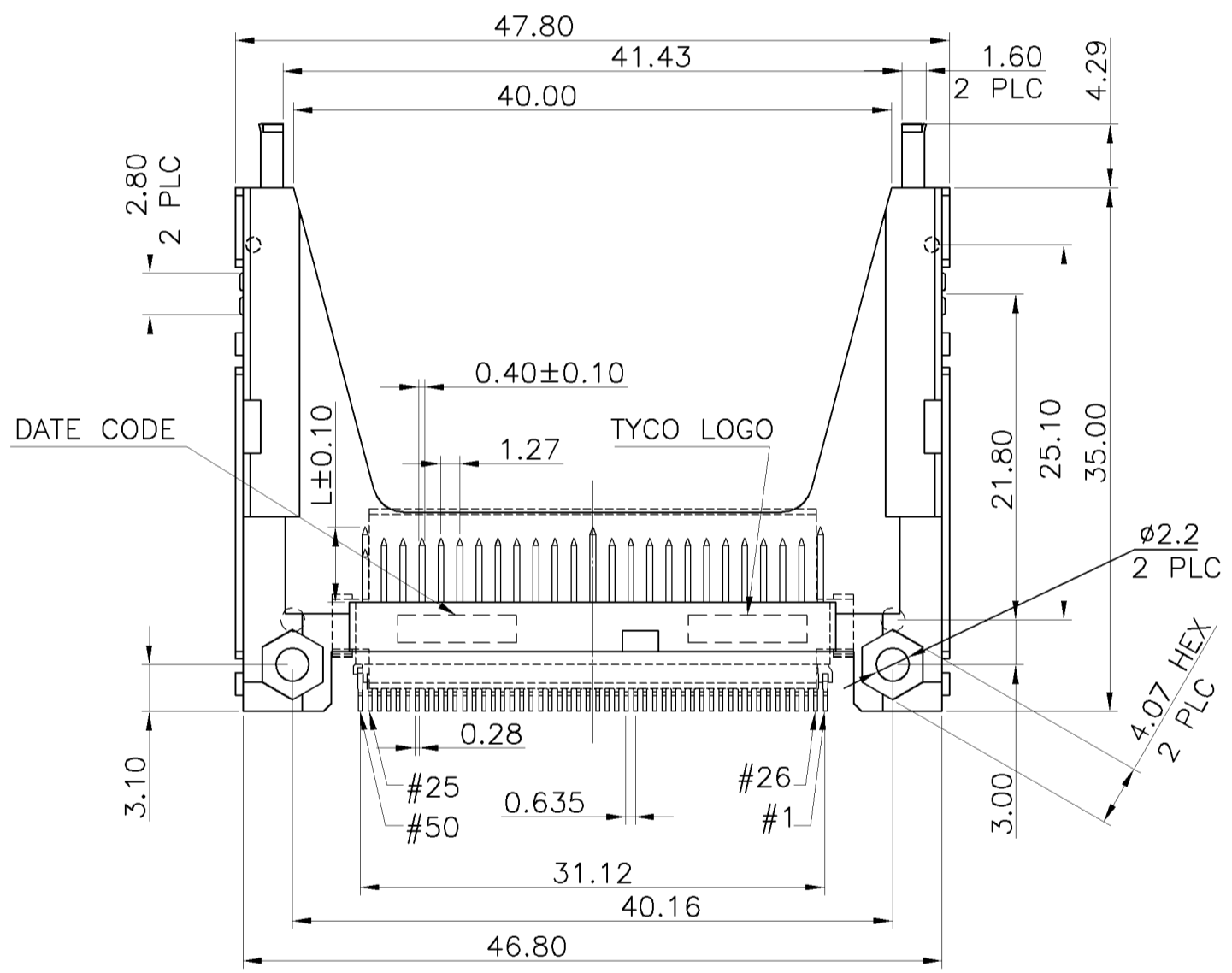
LOC DW	DIST —	REVISIONS		
P	LTR	DESCRIPTION	DATE	DWN
	B	ECR-07-010411, CHANGE TERMINAL'S PROFILE	04MAY07	OH WK



POWER	5.00mm
GENERAL	4.25mm
DETECT	3.50mm
PIN TYPE	INTERFACE DIM. L



- NOTE:
- MATERIAL:  
 HOUSING: LCP WITH 30% GF, UL 94V-0, WHITE COLOR.  
 CONTACTS: BRASS.  
 MOUNT EAR: BRASS.  
 GROUNDING: PHOSPHOR BRONZE.  
 PICKCAP: STEEL.
  - FINISH:  
 CONTACTS: 0.381µm [15µ"] GOLD PLATED ON CONTACT AREA,  
 2.54µm [100µ"] MIN. MATTE-TIN ON SOLDER TAIL, WITH  
 ENTIRE CONTACT UNDERPLATED 1.27µm [50µ"] MIN. NICKEL.  
 MOUNT EAR: 2.54µm [100µ"] MIN. TIN PLATED ON SOLDER AREA  
 1.27µm [50µ"] MIN. NIKEL UNDERPLATED ALL OVER.  
 GROUNDING: 2.03µm [80µ"] MIN. NIKEL UNDERPLATED ALL OVER.
  - REFLOW SOLDER CAPABLE TO 260°C PER TYCO TEST SPEC.  
 109-201, CONDITION B.

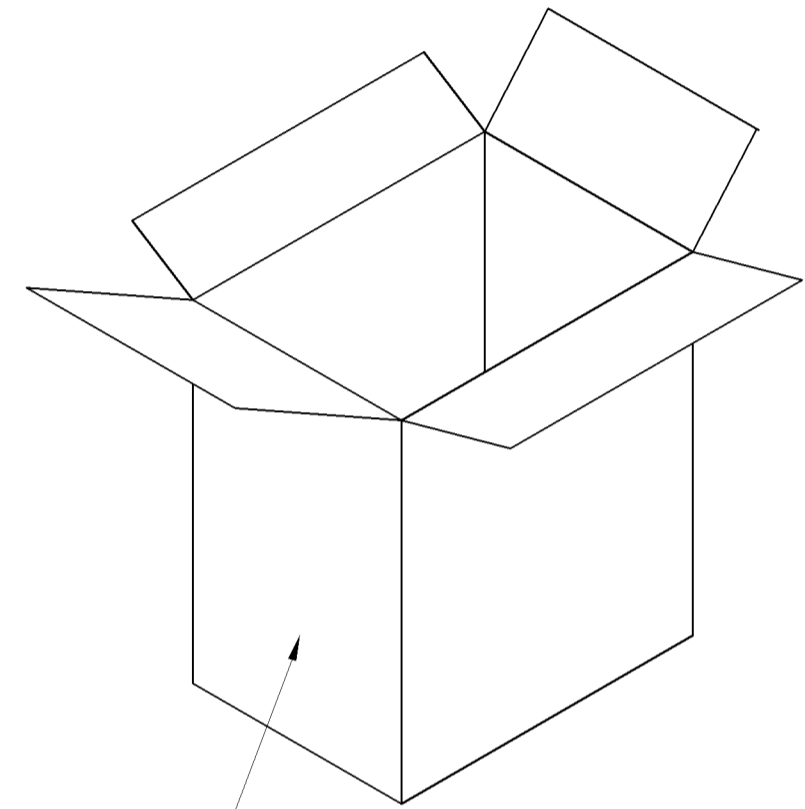
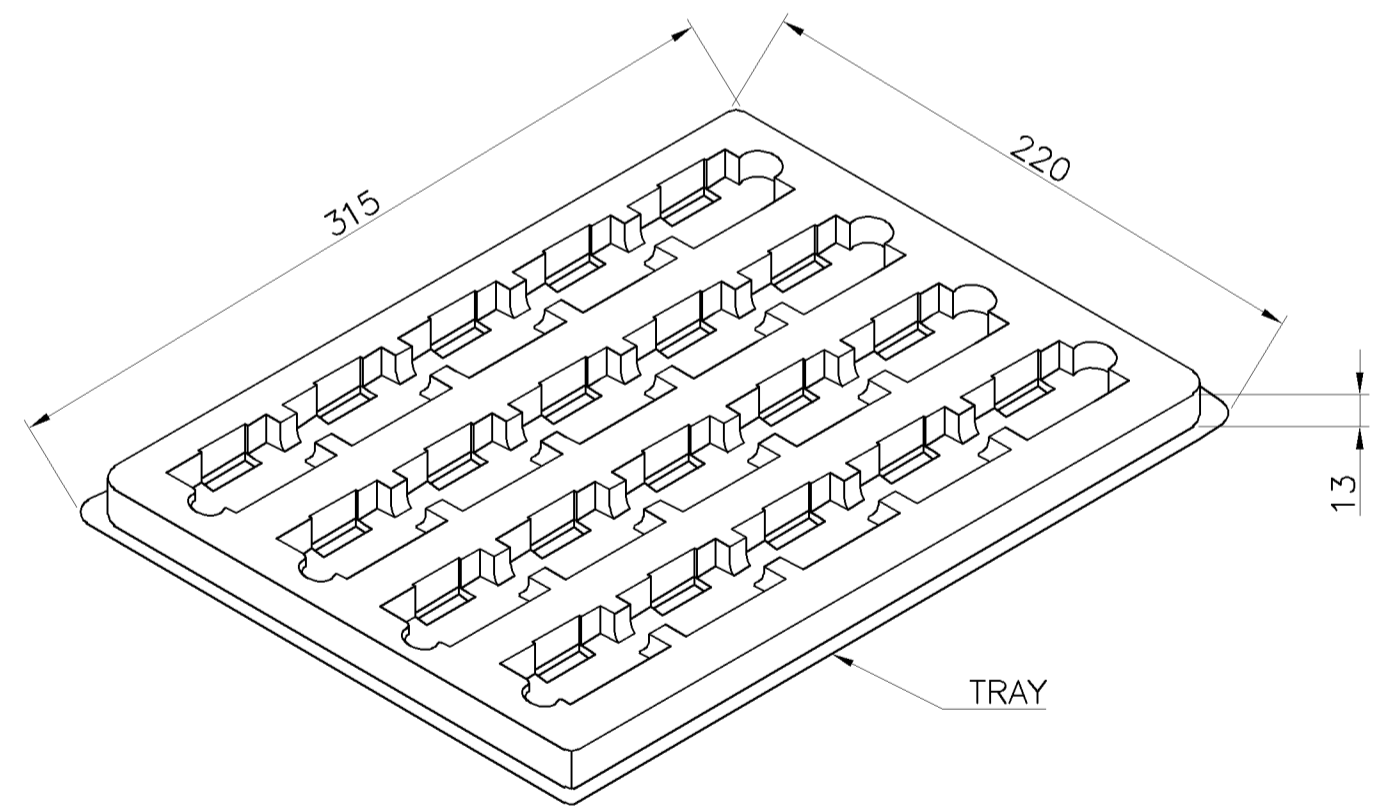
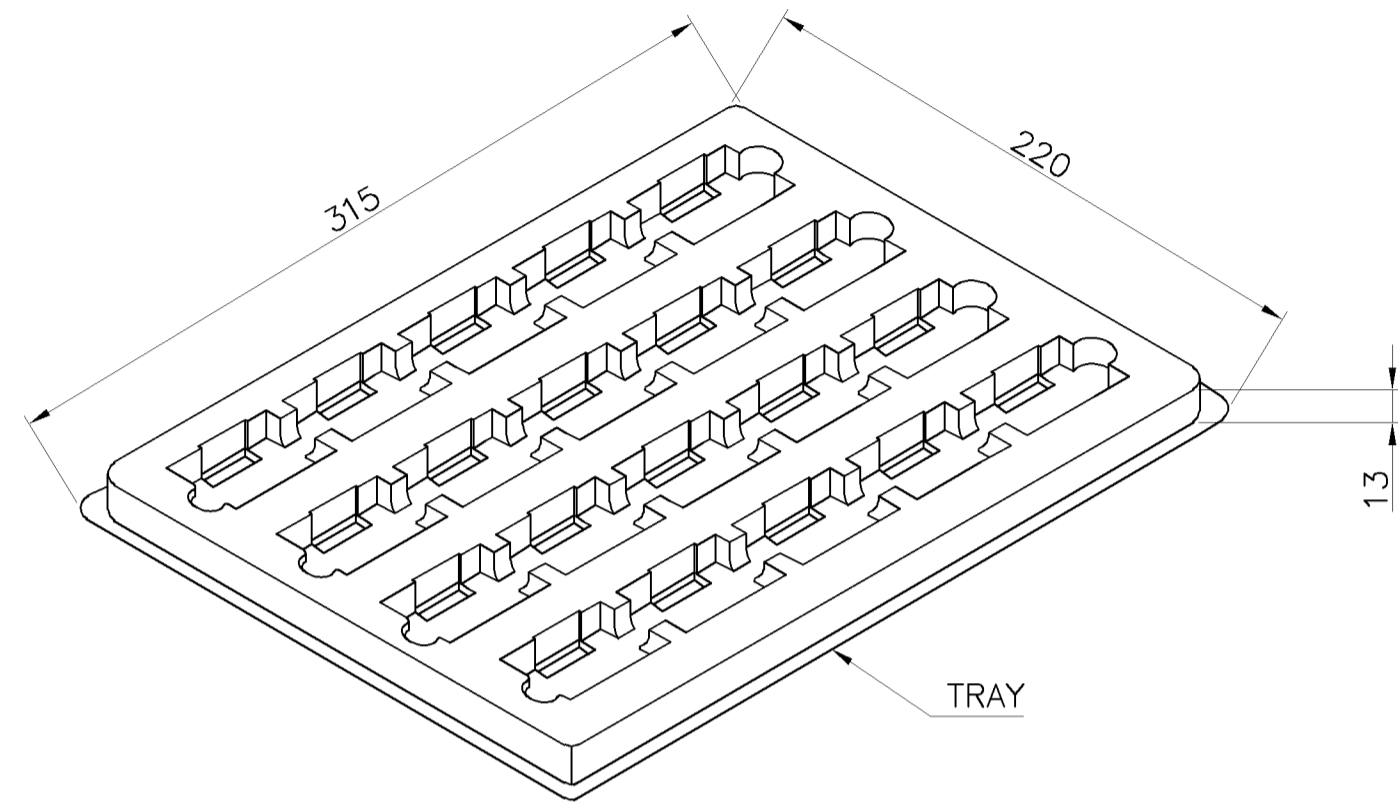


W/	TAPE & REEL	1-1734448-2
	TRAY	1734448-2
W/O	TAPE & REEL	1-1734448-1
	TRAY	1734448-1
PICK CAP	PACKAGING	PART NUMBER

THIS DRAWING IS A CONTROLLED DOCUMENT.		DWN O. HU	03MAY2007	<b>tyco</b> Electronics	Tyco Electronics Corporation Taipei, Taiwan		
DIMENSIONS: MM		CHK S. HOU	03MAY2007		NAME		
TOLERANCES UNLESS OTHERWISE SPECIFIED:		APVD W.J. KE	03MAY2007	PRODUCT SPEC			
0 PLC ± 0.5		QUALIFICATION TEST REPORT		108-57134			
1 PLC ± 0.3		WEIGHT		501-57118			
2 PLC ± 0.2		CUSTOMER DRAWING		SCALE —			
3 PLC ± —		SIZE		A3			
4 PLC ± —		CAGE CODE		00779			
ANGLES ± —		DRAWING NO		C=1734448			
FINISH		RESTRICTED TO		—			
SEE NOTE		SHEET		1 OF 3			
SEE NOTE		REV		B			

THIS DRAWING IS UNPUBLISHED. RELEASED FOR PUBLICATION  
 © COPYRIGHT BY TYCO ELECTRONICS CORPORATION. ALL RIGHTS RESERVED.

LOC	DIST	REVISIONS			
P	LTR	DESCRIPTION	DATE	DWN	APVD
		SEE SHEET 1.			



CARTON SIZE  
 450(L) X 330(W) X 254(H)

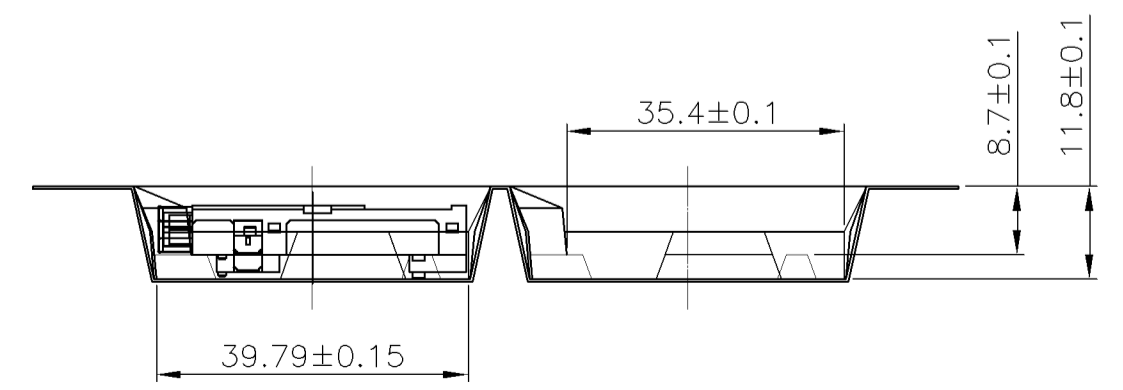
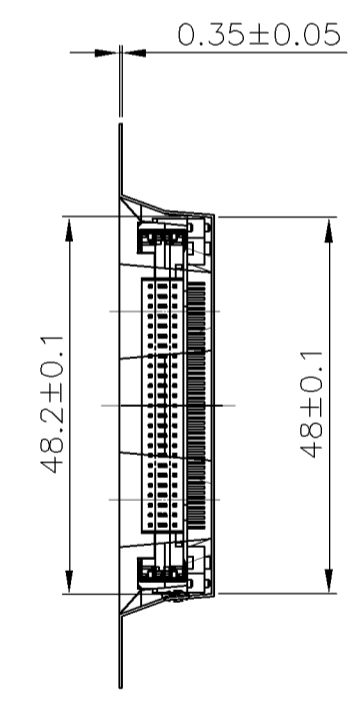
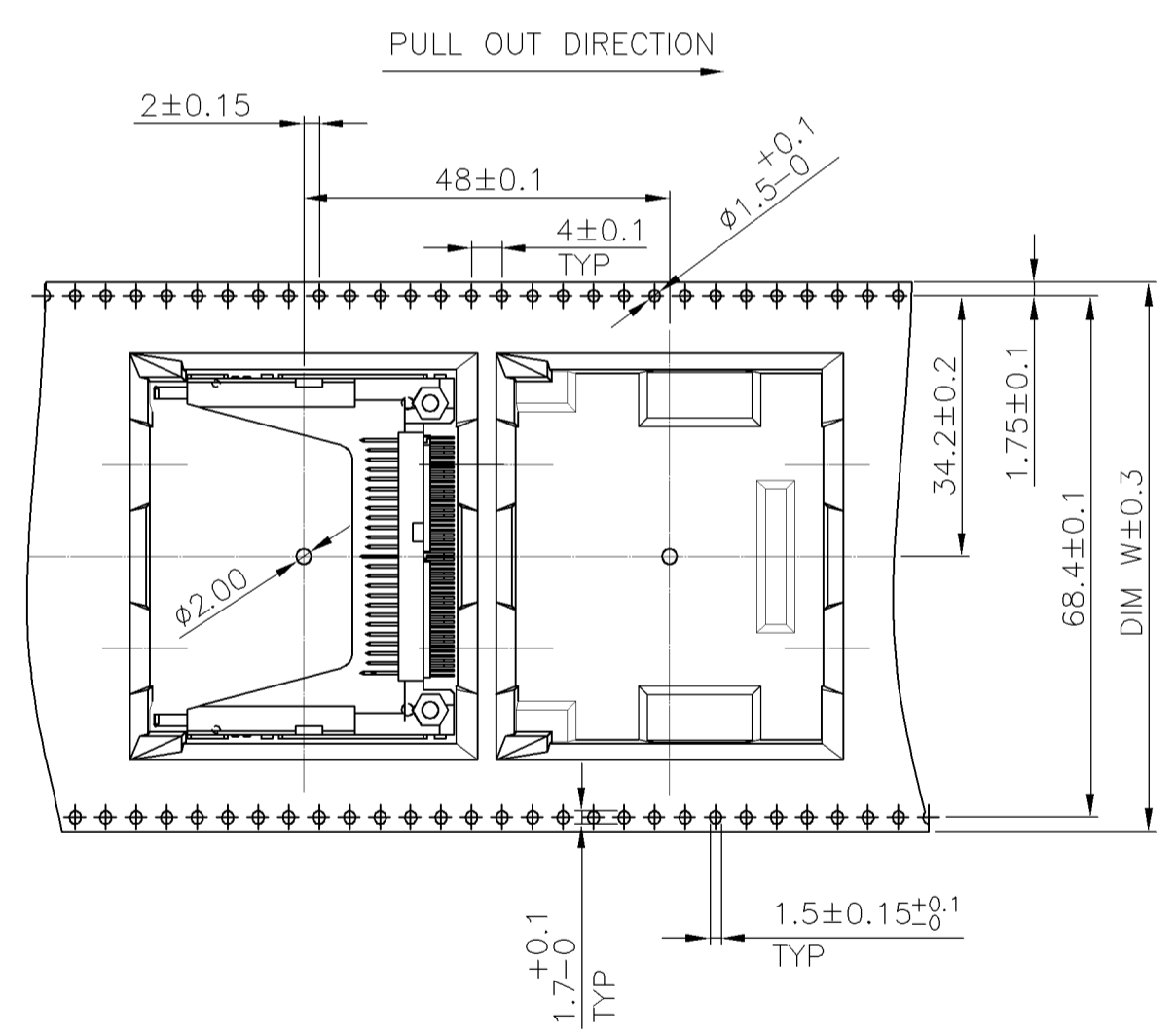
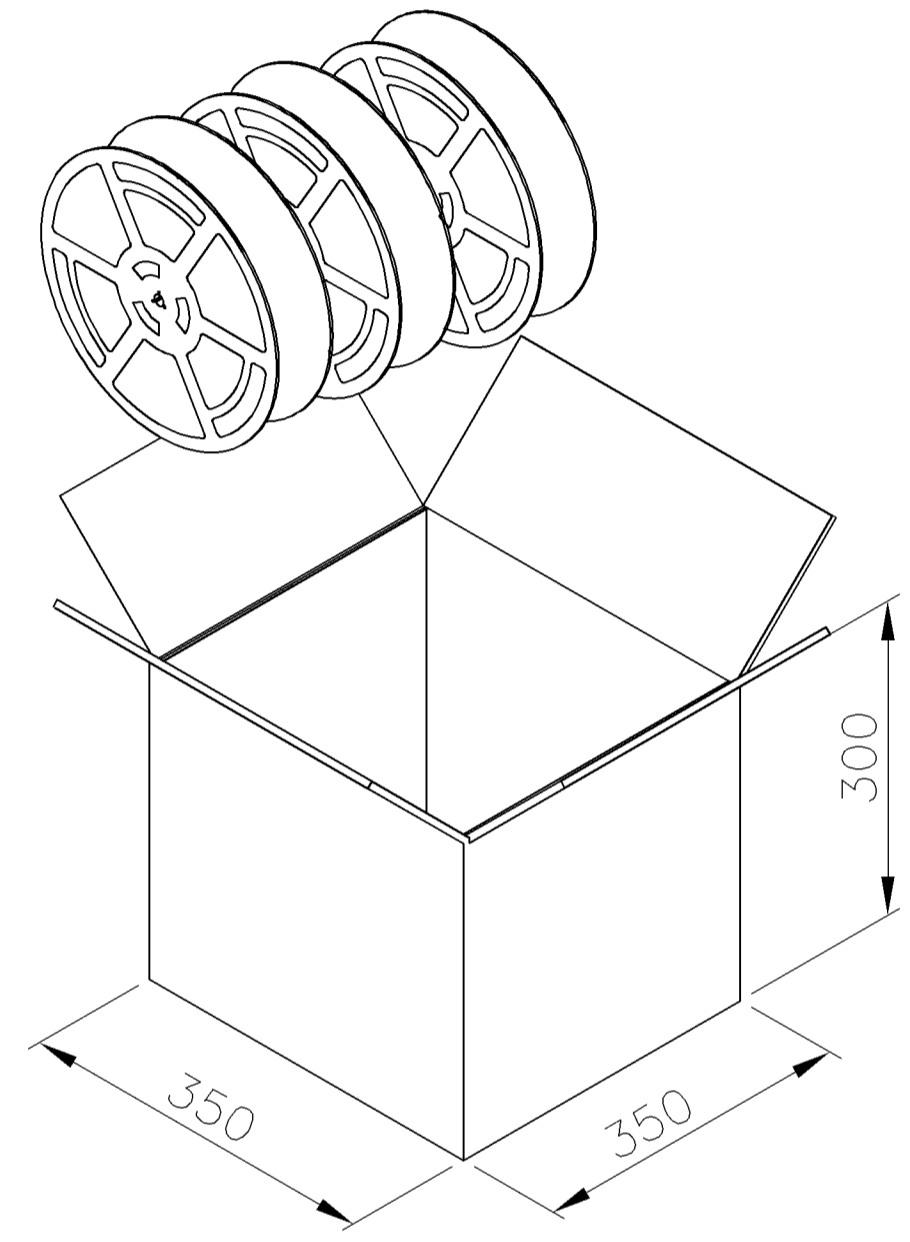
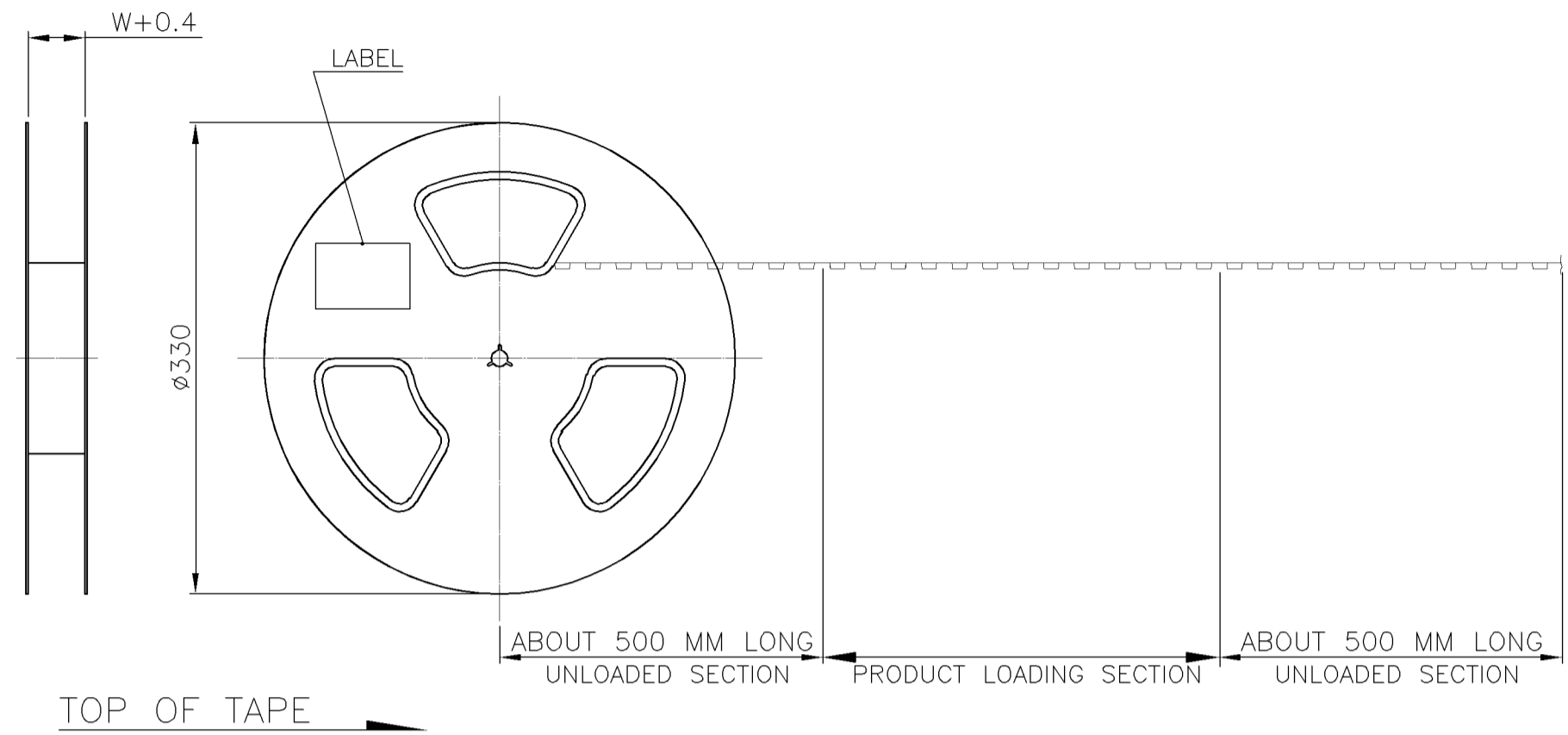
NOTE:  
 1. TOP LAYER IS EMPTY.

50	20	1000
LAYER	TRAY	QUANTITY

THIS DRAWING IS A CONTROLLED DOCUMENT.		DWN O. HU 03MAY2007	<b>tyco</b> Tyco Electronics Corporation	
DIMENSIONS: MM		CHK S. HOU 03MAY2007	<b>Electronics</b> Taipei, Taiwan	
TOLERANCES UNLESS OTHERWISE SPECIFIED:		APVD W.J. KE 03MAY2007	NAME	
0 PLC ± -		PRODUCT SPEC	PIN HEADER TYPE 2, 50 POS, SMT, TOP BOARD, COMPACT FLASH CARD	
1 PLC ± -		APPLICATION SPEC	SIZE	RESTRICTED TO
2 PLC ± -		WEIGHT	A3	—
3 PLC ± -		CUSTOMER DRAWING	CAGE CODE	DRAWING NO
4 PLC ± -		SCALE	00779	1734448
ANGLES ± -		SHEET	2	OF 3
FINISH		REV	B	

THIS DRAWING IS UNPUBLISHED. RELEASED FOR PUBLICATION  
 © COPYRIGHT BY TYCO ELECTRONICS CORPORATION. ALL RIGHTS RESERVED.

LOC	DIST	REVISIONS			
P	LTR	DESCRIPTION	DATE	DWN	APVD
		SEE SHEET 1.			



72	70	3	210	4	5
DIM W	PCS/TAPE	REELS/CARTON	QUANTITY (PCS)	G/W (Kg)	N/W (Kg)

THIS DRAWING IS A CONTROLLED DOCUMENT.		DWN O. HU	03MAY2007	Tyco Electronics Corporation Taipei, Taiwan	
DIMENSIONS: MM		CHK S. HOU	03MAY2007		
TOLERANCES UNLESS OTHERWISE SPECIFIED:		APVD W.J. KE	03MAY2007	NAME	
0 PLC ± -		PRODUCT SPEC		PIN HEADER TYPE 2, 50 POS, SMT, TOP BOARD, COMPACT FLASH CARD	
1 PLC ± -		APPLICATION SPEC		RESTRICTED TO	
2 PLC ± -		WEIGHT		SIZE CAGE CODE DRAWING NO	
3 PLC ± -		CUSTOMER DRAWING		A3 00779 C=1734448	
4 PLC ± -		SCALE		SHEET 3 OF 3 REV B	
ANGLES ± -		SCALE		SHEET 3 OF 3 REV B	
FINISH		SCALE		SHEET 3 OF 3 REV B	