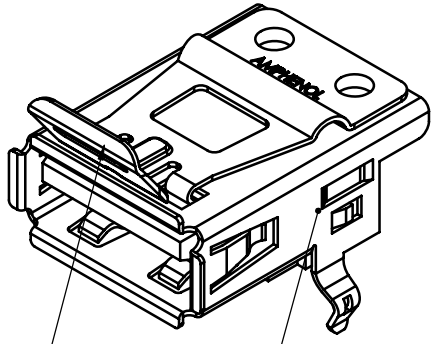
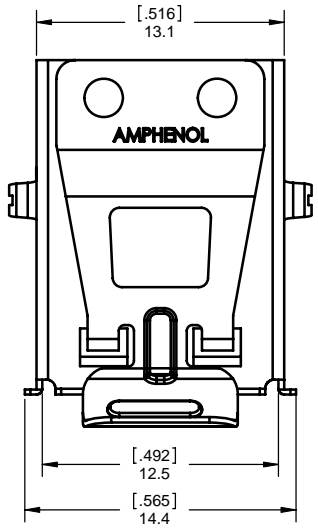
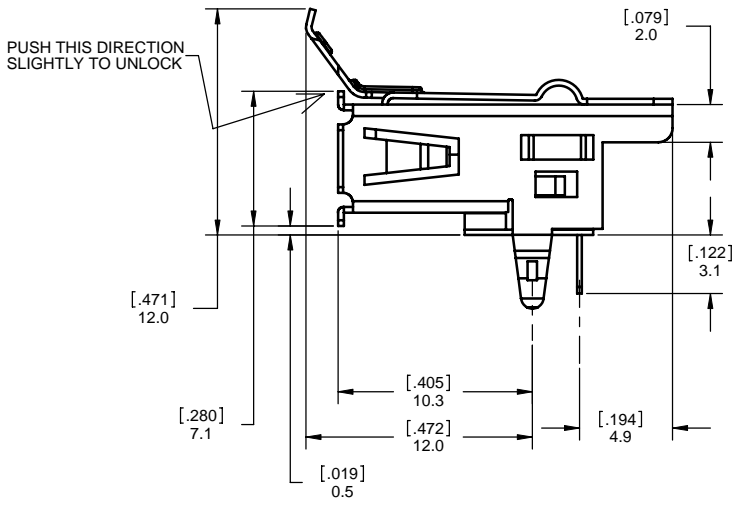
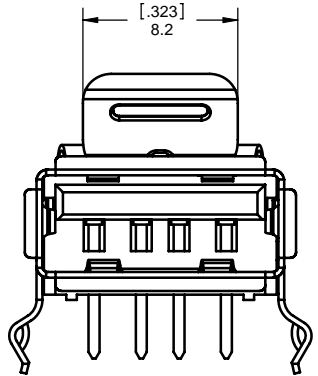


REV - DESCRIPT - DATE - APPRVD
A - RELEASE - OCT19/07 - A.G.
B - CHANGE DIMS - JUN30/08 - K.L.
.



LOCKING TAB  
TYPE A- USB RECEPTACLE



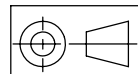
NOTES:

- MATERIAL:
  - SHELL OF USB RECEPTACLE: NICKEL PLATED COPPER ALLOY
  - HOUSING OF USB RECEPTACLE: HIGH TEMPERATURE THEMOPLASTIC, UL94V-0, COLOR - BLACK.
  - CONTACTS OF USB RECEPTACLE: PHOSPHOR BRONZE, PLATING: 0.76 MICRONS [30 MICRO"] GOLD, OVER NICKEL ON MATING AREA, TIN PLATING ON SOLDER TAILS.
  - LOCKING TAB: STAINLESS STEEL
- FEATURE: POSITIVE LOCK ON TYPE A, USB RIGHT ANGLE RECEPTACLE.
- LOCKING FORCE: MIN. 50 N.
- OPERATING TEMPERATURE: -40°C TO +85°C.
- ALL COMPONENTS AND MATERIALS USED FOR CONNECTOR AND PACKAGING ARE ROHS COMPLIANT PER EU DIRECTIVE 2002/95/EC AND AMENDMENTS.
- PART NUMBER FOR ORDER IS LUSB-A111-00.
- SEE PAGE 2 OF 2 FOR PCB LAY-OUT AND PANEL CUT-OUT.

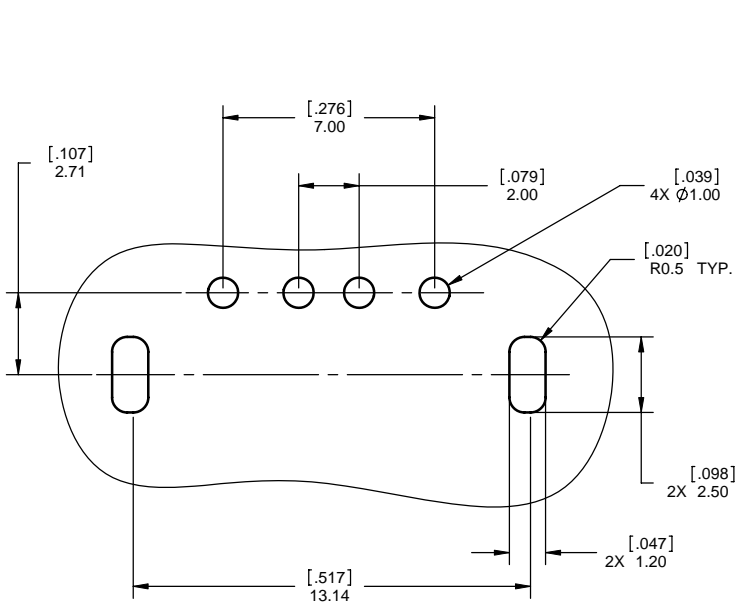


UNLESS OTHERWISE SPECIFIED DIMENSIONS ARE IN MILLIMETER TOLERANCES ARE:		APPROVALS	DATE	<b>Amphenol Canada Corp.</b>	
DECIMALS	ANGLES	DRAWN	DATE		
.XX ±.10	± 1°	LAWRENCE KIM	OCT19,07	TITLE <b>USB A TYPE RECEPTACLE WITH POSITIVE LOCKING TAB RIGHT ANGLE TYPE</b>	
.X ±.25		DESIGNED	DATE		
MATERIAL AND FINISH		LAWRENCE KIM	OCT19,07	SIZE	DWG. NO.
REF.		CHECKED		C	P-LUSB-A111-00
CODE IDENT. NO.		QA APP'D		SCALE	PROJECT
		IE APP'D		4:1	LUSB
		DWG APP'D	OCT19,07	SHEET	SHEET
		A.GREEN		4:1	1 OF 2

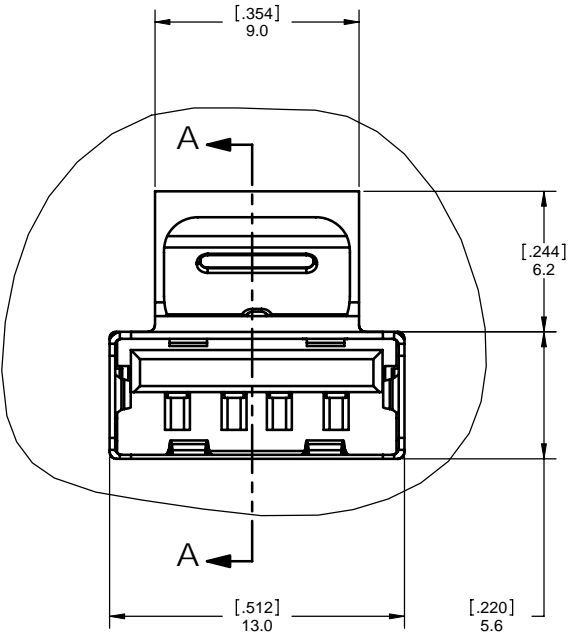
DO NOT SCALE DRAWING  
THIS DOCUMENT CONTAINS PROPRIETARY INFORMATION AND SUCH INFORMATION MAY NOT BE DISCLOSED TO OTHERS FOR ANY PURPOSE OR USED FOR MANUFACTURING PURPOSES WITHOUT PERMISSION FROM AMPHENOL CANADA CORP.



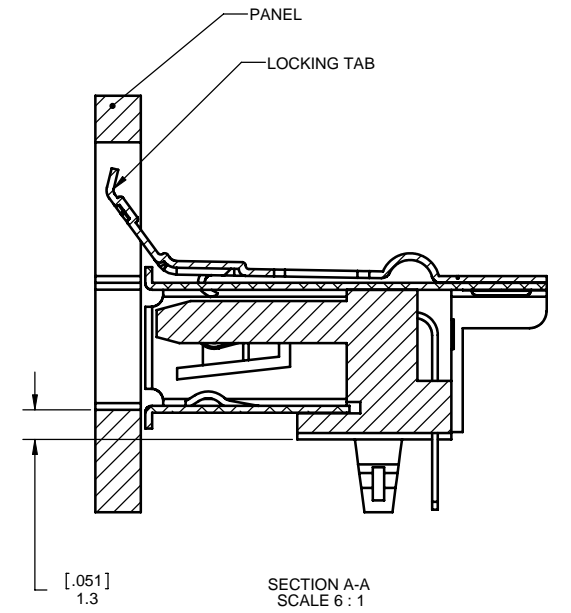
REV - DESCRIPT - DATE - APPRVD
A RELEASE OCT 19,07 - AG
B - UPDATE DIMS - JUN30/08 - K.L.
.



**RECOMMENDED PCB LAY-OUT**



**RECOMMENDED PANEL CUT-OUT**



UNLESS OTHERWISE SPECIFIED DIMENSIONS ARE IN MILLIMETER TOLERANCES ARE:		APPROVALS	DATE	<b>Amphenol Canada Corp.</b>	
DECIMALS	ANGLES	DRAWN	DATE		
.XX ±.10	± 1°	LAWRENCE KIM	OCT19,07	TITLE USB A TYPE RECEPTACLE WITH POSITIVE LOCKING TAB RIGHT ANGLE TYPE	
.X ±.25		DESIGNED	OCT19,07		
MATERIAL AND FINISH		LAWRENCE KIM		SIZE	DWG. NO.
		CHECKED		C	P-LUSB-A111-00
		QA APP'D		SCALE	PROJECT
		IE APP'D		5:1	LUSB
REF.		DWG APP'D	OCT19,07	SHEET	2 OF 2
CODE IDENT. NO.		A.GREEN			

DO NOT SCALE DRAWING  
THIS DOCUMENT CONTAINS PROPRIETARY INFORMATION AND SUCH INFORMATION MAY NOT BE DISCLOSED TO OTHERS FOR ANY PURPOSE OR USED FOR MANUFACTURING PURPOSES WITHOUT PERMISSION FROM AMPHENOL CANADA CORP.

