



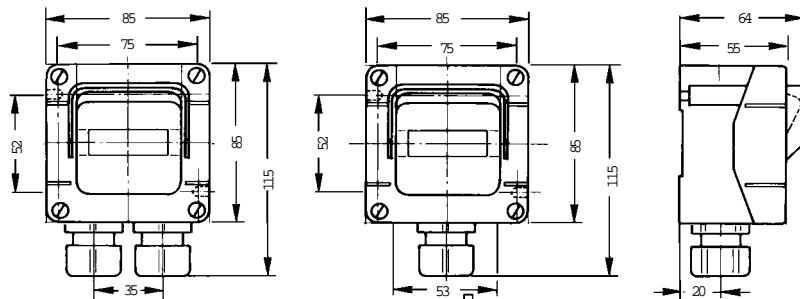
Switch/Pushbutton

Technical data

Ex-installation switches and Ex-pushbuttons

Marking to 94/9/EC	II 2 G/II 2 D*
Type of protection	EEx de IIC T6
EC-Type Examination Certificate	PTB 98 ATEX 3121
Enclosure	Made of a low temperature impact-resistant thermoplastic that fulfils the EN requirements for a surface resistance <math> < 10^9 </math> Ohms and, at the same time, has sufficient insulating properties.
Degree of protection	IP 66 to EN 60529
Switch ratings	Rated voltage: 250 V~ Rated current: 16 A
Cable entries	EEx-e M 25 cable entry for cables \varnothing 8 – 17 mm
Terminals	Switch terminals: 2 x 2.5 mm ² PE terminals: 4 x 2.5 mm ²
Weight	0.32 kg

Dimensions in mm





Technical data

Ex-plugs and sockets, 21-pole, up to 250 V

Type of protection	EEx e II T6
Certificate of Conformity*	PTB-No. Ex-87.B.1055
Degree of protection	IP 65 to EN 60529
Rated voltage	up to 250 V~
Rate current	max. 10 A
Frequency	50/60 Hz
Back-up fuse, max.	16 A
Cable entries	Wall socket: 1 x M40 (on top) Plug: Ø 32.5 - 38 mm
Connections	Wall socket: 1 - 2.5 mm ² Plug: 1 - 2.5 mm ² Crimped or soldered connection

A special tool must be used for crimped connections

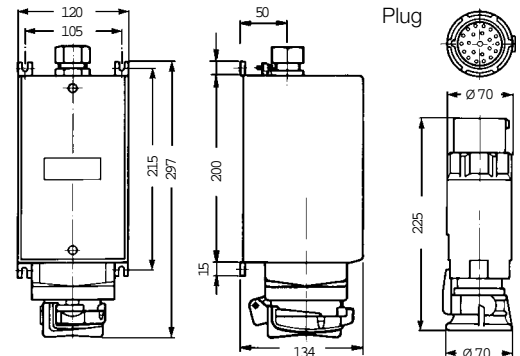


Wall socket



Plug

Dimensions in mm



Wall socket



Wall socket

Technical data

Ex-plugs and sockets, 7-pole, up to 400 V

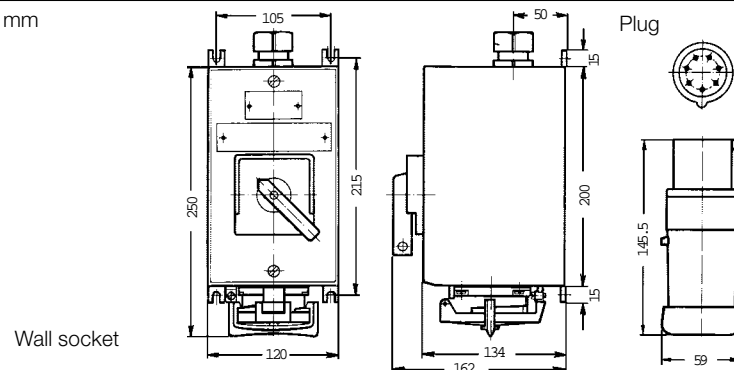
Type of protection	EEx de IIC T6
Certificate of Conformity*	PTB No. Ex-88.B.1020
Degree of protection	IP 65 to EN 60529
Rated voltage	up to 400 V~
Rate current	max. 16 A
Frequency	50/60 Hz
Back-up fuse, max.	without thermal protection: 16 A with thermal protection: 25 A
Cable entries	Wall socket: 1 x M40 (on top) Plug: Ø 32.5 - 38 mm
Connections	Wall socket: 2 x 4 mm ² Plug: 1 - 2.5 mm ² Crimped or soldered connection

A special tool must be used for crimped connections



Plug

Dimensions in mm



Technical data

Ex-plugs and sockets, 2- and 3-pole, for low voltages to CEE and IEC 309-1/2

Marking to 94/9/EC	Ⓔ II 2 G / Ⓔ II 2 D*	
Type of protection	EEx de IIC T6	
EC-Type Examination Certificate	Wall socket, plug and coupler:	PTB 99 ATEX 1039
	Flange socket:	PTB 99 ATEX 1063 U
Degree of protection	IP 66 to EN 60529	
Rated voltage	- 50 V	
Rate current	max. 16 A	
Frequency	50/60 Hz	
Switching capacity	AC3 16 A, DC1 16 A	
Back-up fuse, max.	without thermal protection: 16 A,	
	with thermal protection: 25 A	
Cable entries	Wall socket:	1 x M25, 1 x M25 Ex-blanking plug plastic (bottom) or 2 x M20 Ex-blanking plug, metal version
	Plug and coupler:	∅ 9 - 17 mm
Connection terminals	Wall socket: 2 x 4 mm ²	
	Plug and coupler: 4 mm ²	

* II 2 D applied for



Wall socket



Plug

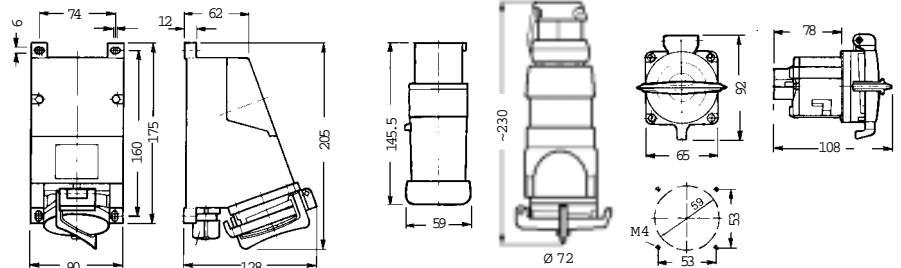


Flange socket



Coupler

Dimensions in mm



Plug

Coupler

Flange socket

Wall socket

Technical data

Ex-plugs and sockets CEE and IEC 309-1/2

Marking of 94/9/EC	Ⓜ II 2 G/Ⓜ II 2 D*
Type of protection	EEx de IIC T6
EC-Type Examination Certificate	Wall socket, plug and coupler: PTB 99 ATEX 1039 Flange socket: PTB 99 ATEX 1040 U
Degree of protection	IP 66 to EN 60529
Rated voltage	up to 690 V~
Rate current	max. 16 A
Frequency	50/60 Hz
Switching capacity AC3	up to 690 V~/16 A
Back-up fuse, max.	without thermal protection: 16 A, with thermal protection: 35 A
Cable entries	Wall socket: 1 x M25, 1 x M25 Ex-blanking plug plastic (bottom) or 2 x M20 x 1.5 thread, metal version Plug and coupler: Ø 9 - 17 mm
Connection terminals	Wall socket, coupler and flange socket: 2 x 4 mm ² ; Plug: 1 x 2,5 mm ²

* II 2 D applied for

Dimensions in mm

x.. = Fixing dimensions



Wall socket



Plug

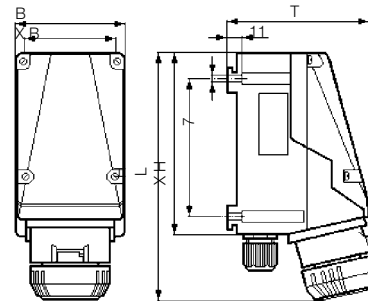


Flange socket

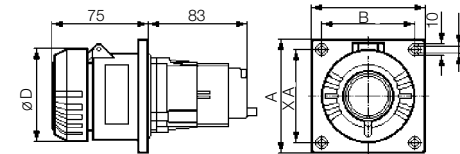


Coupler

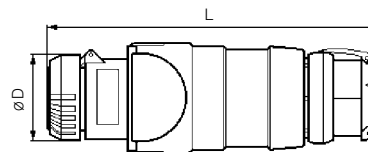
Wall socket



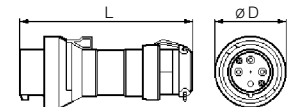
Flange socket



Coupler



Plug





Wall socket



Plug



Flange socket



Coupler

Technical data

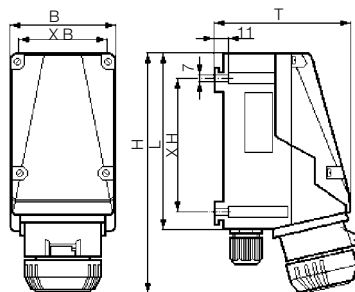
Ex-plugs and sockets CEE and IEC 309-1/2

Marking to 94/9/EC	Ⓔ II 2 G / Ⓔ II 2 D*
Type of protection	EEx de IIC T6
EC-Type Examination Certificate	Wall socket, plug and coupler: PTB 99 ATEX 1041 Flange socket: PTB 99 ATEX 1042 U
Degree of protection	IP 66 to EN 60529
Rated voltage	up to 690 V~
Rate current	max. 32 A
Frequency	50/60 Hz
Switching capacity AC 3	up to 690 V~/32 A
Back-up fuse, max.	without thermal protection: 35 A, with thermal protection: 50 A gL
Cable entries	Wall socket: 1 x M40, 1 x M40 Ex-blanking plug plastic (bottom) or 2 x M32 Ex-blanking plug, metal version Plug and coupler: Ø 12 - 28 mm
Connection terminals	Wall socket, coupler and flange socket: 2 x 4-10 mm ² ; Plug: 1 x 6 mm ²

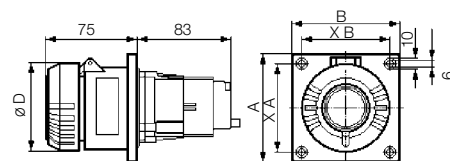
* II 2 D applied for

Dimensions in mm x.. = Fixing dimensions

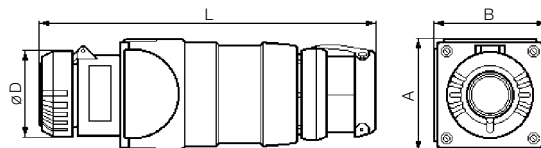
Wall socket



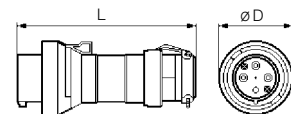
Flange socket



Coupler



Plug





Wall socket



Plug

Technical data

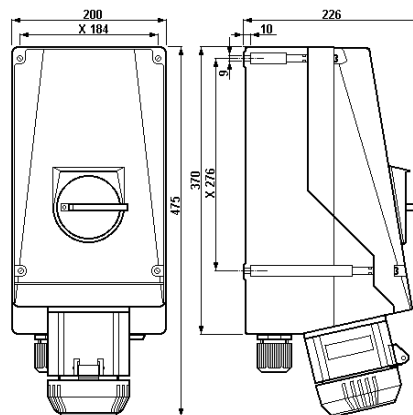
Ex-plugs and sockets to CEE and IEC 309-1/2

Marking to 94/9/EC	⊕ II 2 G / ⊕ II 2 D*	
Type of protection	EEx de IIC T6	
EC-Type Examination Certificate	PTB 00 ATEX 1070	
Degree of protection	IP 66 to EN 60529	
Rated voltage	up to 690 V~	
Rate current	max. 63 A	
Frequency	50/60 Hz	
Switching capacity AC 3	up to 690 V~/63A	
Back-up fuse, max.	without thermal protection: 63 A, with thermal protection: 80 A	
	Wall socket:	1 x M50, 1 x M50 Ex-blanking plug plastic (bottom)
Cable entries	Plug and coupler:	Ø 19 - 34 mm
Connection terminals		Wall socket and coupler: 2 x 25 mm ² Plug: 16 mm ² (with cable lug 25 mm ²)

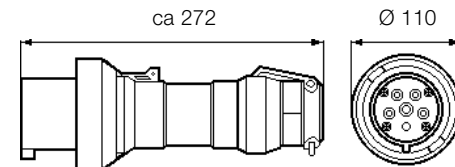
* II 2 D applied for

Dimensions in mm x.. = Fixing dimensions

Wall socket



Plug





Wall socket



Plug

Technical data

Ex-plugs and sockets to CEE and IEC 309-1/2

Marking to 94/9/EC	Ⓔ II 2 G/Ⓔ II 2 D*	
Type of protection	EEx de IIC T6	
EC-Type Examination Certificate	PTB 01 ATEX 1069	
Degree of protection	IP 66 to EN 60529	
Rated voltage	up to 690 V~	
Rate current	max. 125 A	
Frequency	50/60 Hz	
Switching capacity AC 3	up to 690 V~/125A	
Back-up fuse, max.	without thermal protection: 125 A, with thermal protection: 180 A	
Cable entries	Wall socket:	1 x M63, 1 x M63 plastic Ex-blanking plug, or 2 x M50 Ex-blanking plug, metal version
Connection terminals	Plug and coupler:	Ø 31 - 55 mm
	Wall socket and coupler:	2 x 4- 70 mm ² ,
	Plug:	x 4-35 mm ² , with pin-type cable lug 1 x 50 mm ²

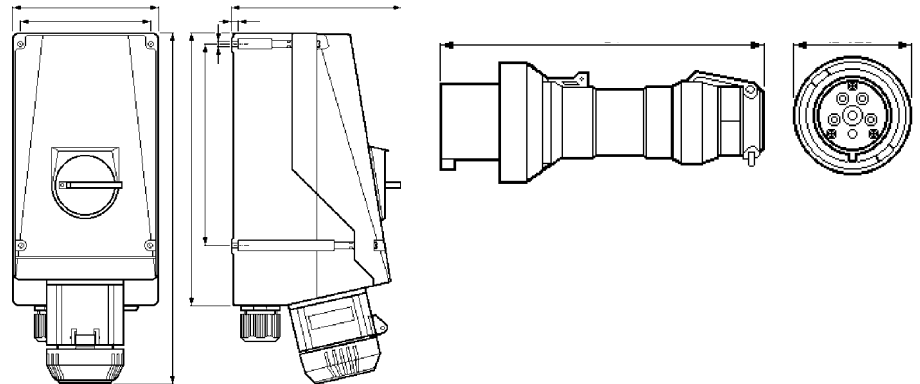
* II 2 D applied for

Dimensions in mm

x.. = Fixing dimensions

Wall socket

Plug



7 P 20 A

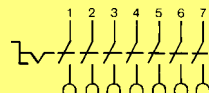


Wall socket 20 A

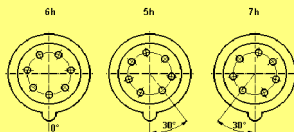
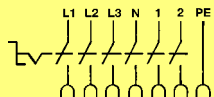


Plug

Contact arrangement, 7-pole



Contact arrangement 6-pole + PE



Coding



Technical data

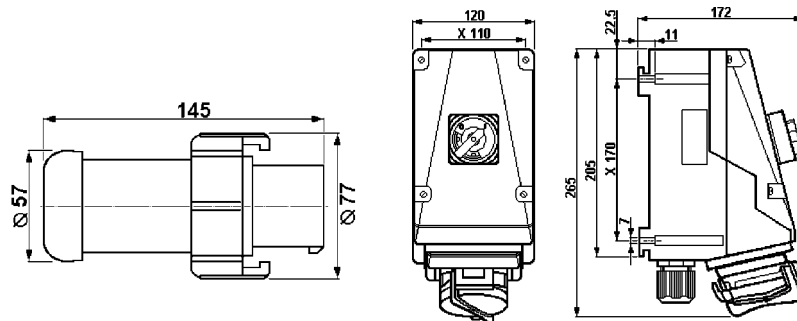
Ex-plugs and sockets, 7-pole, up to 500 V

Marking to 94/9/EC	⊕ II 2 G/⊕ II 2 D *
Type of protection	EEx ed IIC T6/T5 or EEx ed ia IIC T6/T5
Certificate of Conformity	PTB 00 ATEX 1109
Degree of protection	IP 66 to EN 60529
Rated voltage	up to 500 V~
Rated current	16 A/20 A (T6/T5)
Frequency	50/60 Hz
Switching capacity AC3	up to 500 V~/16 A
Back-up fuse, max.	without thermal protection: 16 A/20 A with thermal protection: 25 A
Cable entries	Wall socket: 1 x M40, 1 x M40 with plastic Ex-blanking plug or 2 x M32 Ex-blanking plug, metal version Plug: Ø 9 - 17 mm
Connections	Wall socket: 2 x 1.5 - 4 mm ² , Plug: 1 - 2.5 mm ² , Crimped or soldered connection

A special tool must be used for crimped connections.

* II 2D applied for

Dimensions in mm



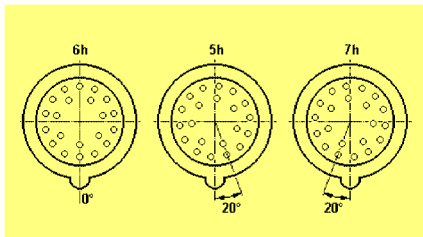
21 P 10 A



Wall socket



Plug



Technical data

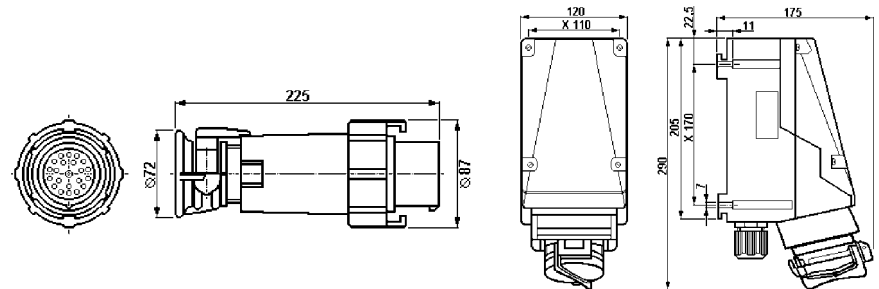
Ex-plugs and sockets, 21-pole, up to 250 V

Marking to 94/9/EC	Ex II 2 G/Ex II 2 D *	
Type of protection	EEx e II T6	
Certificate of Conformity	PTB 00 ATEX 1109	
Degree of protection	IP 65 to EN 60529	
Rated voltage	up to 250 V~	
Rated current	max. 10 A	
Frequency	50/60 Hz	
Back-up fuse, max.	without thermal protection: 10 A	
Cable entries	Wall socket:	1 x M40, or 1 x M32 Ex-blanking plug, metal version
	Plug:	Ø 32 - 38 mm
Connections	Wall socket:	1 - 2.5 mm ²
	Plug:	1 - 2.5 mm ² Crimped or soldered connection

A special tool must be used for crimped connections

* II 2D applied for

Dimensions in mm



Trafo 16 A

Technical data

Ex-transformer plug to CEE and IEC 309-1/2, up to 400 V

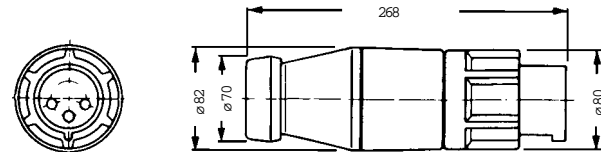
Marking to 94/9/EC	Ⓔ II 2 G/ Ⓔ II 2 D*
Type of protection	EEx de IIC T5
EC-Type Examination Certificate	PTB 99 ATEX 1039
Enclosure material	Polyester, reinforced
Degree of protection	IP 65 to EN 60529
Rated voltage, primary	230 V~
Secondary, optimal	12 V, 24 V, 36 V, 42 V and 230 V~
Rated current (size)	16 A
Frequency	50/60 Hz
Output	65 VA
Back-up fuse	0.5 A mT, exchangeable
Cable entries	∅ 10 - 20 mm
Connection terminals	2 x 4 mm ²
Available versions	4-pole and 5-pole

* II 2 D applied for



Transformer plug

Dimensions in mm



Trafo 32 A



Technical data

Ex-transformer plug to CEE and IEC 309-1/2, up to 400 V

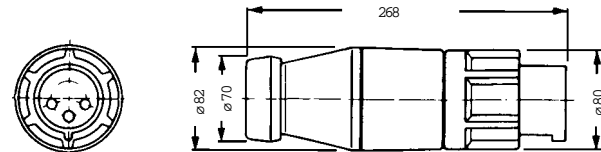
Marking to 94/9/EC	⊕ II 2 G/ ⊕ II 2 D*
Type of protection	EEx de IIC T5
EC-Type Examination Certificate	PTB 99 ATEX 1041
Enclosure material	Polyester, reinforced
Degree of protection	IP 65 to EN 60529
Rated voltage, primary	230 V~
Secondary, optional	12 V, 24 V, 36 V, 42 V and 230 V~
Rated current (size)	32 A
Frequency	50/60 Hz
Output	65 VA
Back-up fuse	0,5 A mT, exchangeable
Cable entries	∅ 10 - 20 mm
Connection terminals	2 x 4 mm ²
Available versions	4-pole and 5-pole

* II 2 D applied for



Transformer plug

Dimensions in mm



Technical data

Ex-plugs and sockets, CEE and IEC 309-1/2 up to 690 V

Type of protection	EEx de IIC T6	
Certificate of conformity	PTB-No. Ex-86.B.1021	
Degree of protection	IP 65 to EN 60529	
Rated voltage	up to 690 V~	
Rated current	max. 63 A	
Frequency	50/60 Hz	
Switching capacity	AC1	to 690 V~/80 A
	AC3	230 V/80 A 400 V/80 A
		500 V/80 A 690 V/80 A
Back-up fuse, max.	without thermal protection: 63 A with thermal protection: 80 A	
Cable entries	Wall socket: 1 x M50 (bottom)	
	Plug: \varnothing 19 - 28 mm	
Connections	Wall socket: 2 x 25 mm ²	
	with cable lug 35 mm ²	
	Plug: 16 mm ²	

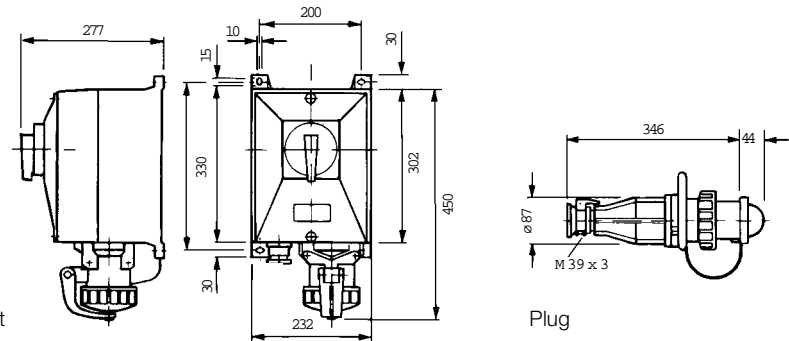


Wall socket



Plug

Dimensions in mm



Wall socket

Plug

125 A



Wall socket



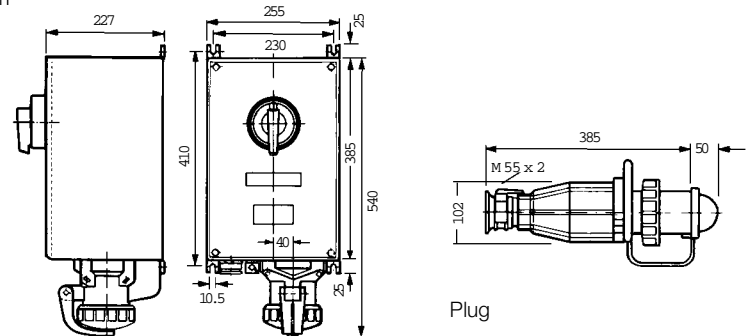
Plug

Technical data

Ex-plugs and sockets, CEE and IEC 309-1/2 up to 690 V

Type of protection	EEx de IIC T6
Certificate of conformity	PTB-No. Ex-86.B.1070
Degree of protection	IP 65 to EN 60529
Rated voltage	up to 690 V~
Rated current	max. 125 A
Frequency	50/60 Hz
Switching capacity	AC1 to 690 V/125 A
	AC3 230 V/125 A 400 V/125 A
	500 V/125 A 690 V/125 A
Bak-up fuse, max.	without thermal protection: 125 A, with thermal protection: 160 A
Cable entries	Wall socket: 1 x M63 (bottom)
	Plug: Ø 34 - 43 mm or Ø 45 - 53 mm
Connection terminals	Wall socket: 2 x 50 mm ² (min. cross section)
	with cable lug 1 x 95 mm ²
	Plug: 25 - 35 mm ² or without clamp with cable lug up to 50 mm ²

Dimensions in mm



Wall socket

Plug

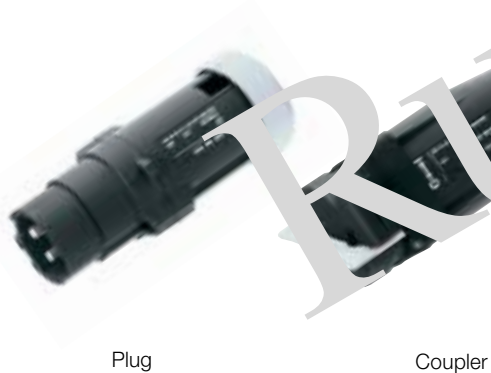

Technical data
Ex-plugs and sockets for low voltages, 2 and 3-pole to CEE and IEC 309-1/2

Type of protection	EEx de IIC T6 for zone 1 and 2
Certificate of Conformity	Wall socket, plug and coupler: PTB No. Ex-87.B.1038 Flange socket: PTB No. Ex-87. B.1037U
Degree of protection	IP 66 to EN 60529
Rated voltage	up to 50 V
Frequency	50/60 Hz
Rated current	max. 16 A
Switching capacity	AC3 16 A, DC1 16 A
Back-up fuse, max.	without thermal protection: 16 A, with thermal protection: 25 A,
Cable entries	Wall socket: 1 x M25 (bottom) Plug and coupler: $\varnothing 9 - 17$ mm Wall socket: 2 x 4 mm ² Plug and coupler: 4 mm ²
Connection terminals	



Flange socket

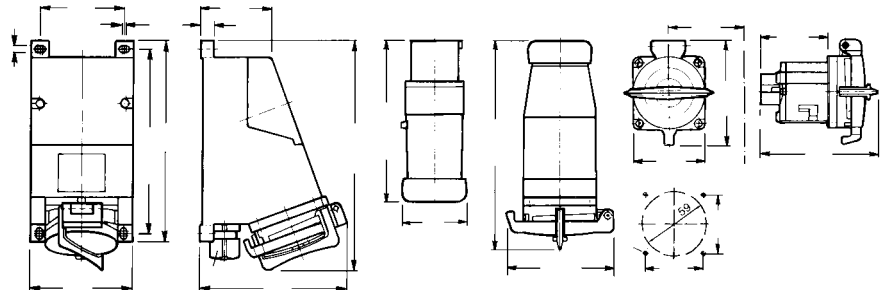
Wall socket



Plug

Coupler

Dimensions in mm



Technical data

Ex-plugs and sockets to CEE and IEC 309-1/2, 110 - 240 V

Type of protection	EEx de IIC T6 for zone 1 and 2
Certificate of Conformity	Wall socket, plug and coupler: PTB No. Ex-87.B.1038 Flange socket: PTB No. Ex-87.B.1036U
Degree of protection	IP 66 to EN 60529
Rated voltage	up to 250 V~
Rated current	max. 16 A
Frequency	50/60 Hz
Switching capacity	AC3 up to 250 V~/16 A
Back-up fuse, max.	without thermal protection: 16 A with thermal protection: 25 A
Cable entries	Wall socket: 1 x M25 (bottom) Plug and coupler: Ø 9 - 17 mm Wall socket: 2 x 4 mm ²
Connection terminals	Plug and coupler: 4 mm ²



Flange socket

Wall socket



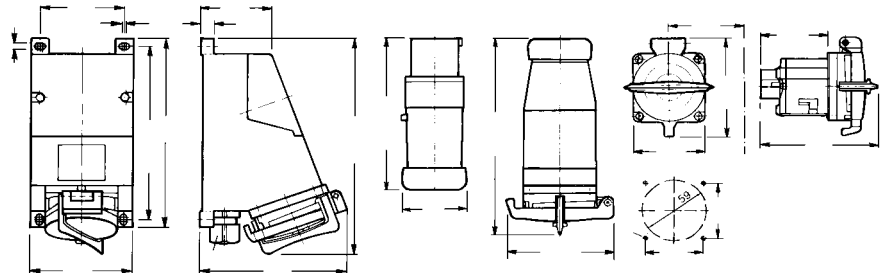
Plug

Coupler



1 P + PE

Dimensions in mm



Technical data

Ex-plugs and sockets to CEE and IEC 309-1/2, up to 690 V

Type of protection	EEx de IIC T6 / T5 for zone 1 and 2
Certificate of Conformity	Wall socket, plug and coupler: PTB No. Ex-85.B.1115 Flange socket: PTB No. Ex-85.B.1114U
Degree of protection	IP 66 to EN 60529
Rated voltage	up to 690 V~
Rated current	max. 16 A
Frequency	50/60 Hz
Switching capacity	AC1 up to 690 V~/16 A
	AC3 230 V/16 A 400 V/16 A
	500 V/16 A 690 V/16 A
Back-up fuse, max.	without thermal protection: 16 A
	with thermal protection: 25 A
Cable entries	Wall socket: 1 x M25 (bottom)
	Plug: Ø 9 - 17 mm
	Coupler: Ø 13 - 20 mm
Connection terminals	Wall socket: 2 x 6 mm ²
	Plug and coupler: 4 mm ²



Flange socket

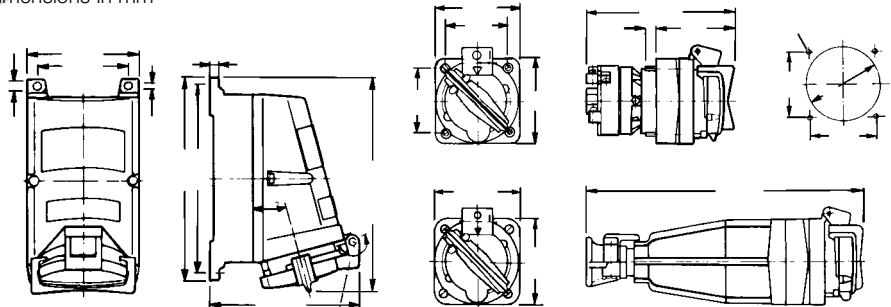
Wall socket



Plug

Coupler

Dimensions in mm



7 P 32 A



Flange socket



Wall socket



Plug



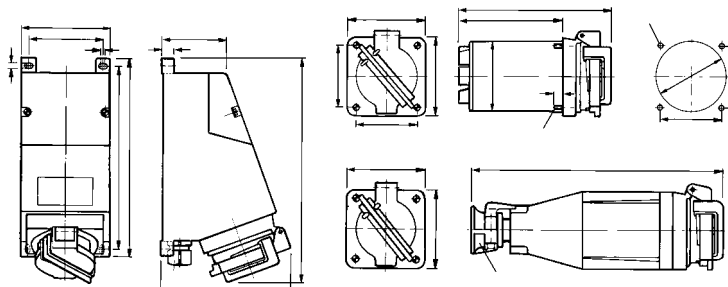
Coupler

Technical data

Ex-plugs and sockets to CEE and IEC 309-1/2, up to 690 V

Type of protection	EEx de IIC T6 for zone 1 and 2		
Certificate of Conformity	PTB No. Ex-85.B.1066		
Wall socket, plug and coupler	PTB No. Ex-85.B.1116U		
Flange socket	PTB No. Ex-85.B.1116U		
Degree of protection	IP 66 to EN 60529		
Rated voltage	up to 690 V~		
Rated current	max. 32 A		
Frequency	50/60 Hz		
Switching capacity	AC1	up to 690 V~/32 A	
	AC3	230 V/32 A	400 V/32 A
		500 V/32 A	690 V/32 A
Back-up fuse, max.	without thermal protection: 35 A		
	with thermal protection: 40 A		
Cable entries	Wall socket: 1 x M40 (bottom)		
	Plug: 4-pole: Ø 13 - 20 mm		
	5-pole: Ø 18 - 27 mm		
	Coupler: Ø 9 - 27 mm		
Connection terminals	Wall socket: 2 x 10 mm ²		
	Plug and coupler: 6 mm ²		

Dimensions in mm





32 A Zone 2/22



Wall socket



Plug



Flange socket



Coupler

Technical data

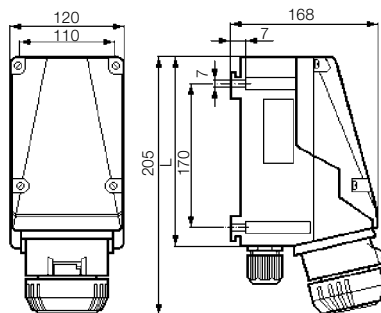
Ex-plugs and sockets to CEE and IEC 309-1/2

Marking to 94/9/EC	Ex II 3 G/ Ex II 3 D*
Type of protection	EEx nC IIC T6/T5
Conformity statement	PTB 99 ATEX 1115
Degree of protection	IP 66 to EN 60529
Rated voltage	up to 690 V~
Rate current	max. 32 A
Frequency	50/60 Hz
Switching capacity AC 3	up to 690 V~/32 A
Back-up fuse, max.	without thermal protection: 35 A, with thermal protection: 50 A gL
Cable entries	Wall socket: 1 x M40, 1 x M40 Ex-blanking plug plastic (bottom) or 2 x M32 Ex-blanking plug, metal version Plug and coupler: Ø 12 - 28 mm
Connection terminals	Wall socket, coupler and flange socket: 2 x 4-10 mm ² ; Plug: 1 x 6 mm ²

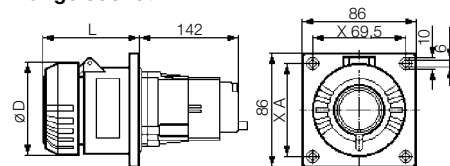
* II 3 D applied for

Dimensions in mm x.. = Fixing dimensions

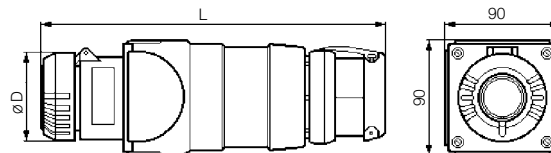
Wall socket



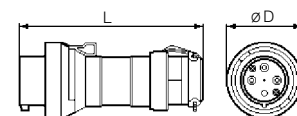
Flange socket



Coupler



Plug





Wall socket



Plug

Technical data

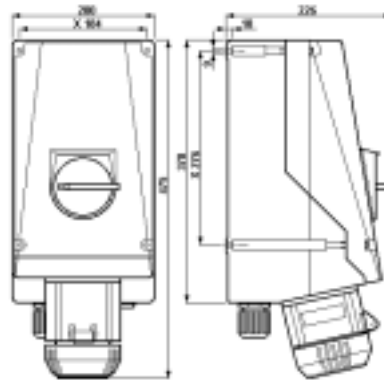
Ex-plugs and sockets to CEE and IEC 309-1/2

Marking to 94/9/EC	⊕ II 3 G / ⊕ II 3 D*
Type of protection	EEx nC IIC T6/T5
Conformity statement	PTB 99 ATEX 1115
Degree of protection	IP 66 to EN 60529
Rated voltage	up to 690 V~
Rate current	max. 63 A
Frequency	50/60 Hz
Switching capacity AC 3	up to 690 V~/80A
Back-up fuse, max.	without thermal protection: 63 A, with thermal protection: 80 A
Cable entries	Wall socket:
	Plug and coupler:
Connection terminals	Wall socket: 2 x 25 mm ²
	Plug and coupler: 16 mm ²

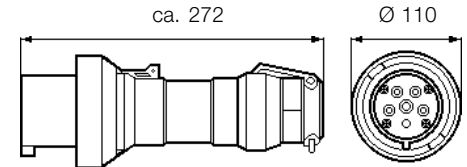
* II 3 D applied for

Dimensions in mm x.. = Fixing dimensions

Wall socket



Plug



125 A Zone 2/22



Wall socket 4-/5-pole



Plug

Technical data

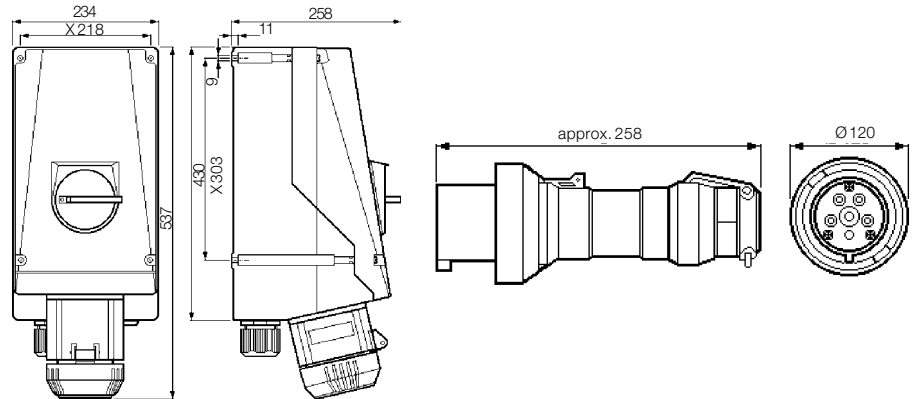
Ex-plugs and sockets IEC 60309-1/2 up to 690 V

Marking to 94/9/EC	Ex II 3 G/Ex II 3 D*	
Type of protection	EEx de IIC T6	
Conformity statement	PTB 99 ATEX 1115	
Degree of protection	IP 66 to EN 60529	
Rated voltage	up to 690 V~	
Rated current	max. 125 A	
Frequency	50/60 Hz	
Switching capacity	AC3 690 V/125 A	
Back-up fuse, max.	without thermal protection: 125 A with thermal protection: 160 A	
Cable entries	Wall socket:	1 x M63, 1 x M63 plastic Ex-blanking plug or 2 x M50 Ex-blanking plug, metal version; Ø 31 - 58 mm
	Plug:	Ø 31 - 58 mm
Connection terminals	Wall socket:	2 x 4 - 70 mm ² , with cable lug ¹⁾ 1 x 120 mm ²
	Plug:	1 x 4 - 35 mm ² , with pin-type cable lug 1 x 50 mm ² ¹⁾

¹⁾ use enclosed cable lug

* II 3 D applied for

Dimensions in mm



40 A

80 A

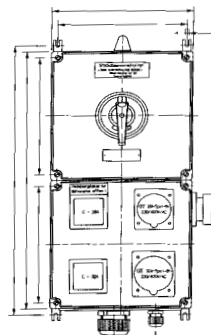
Technical data

Socket distributions

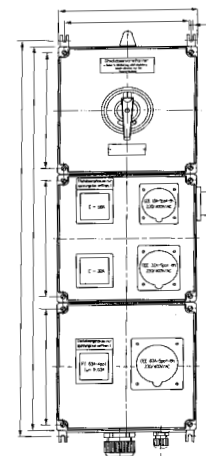
Marking to 94/9/EC	Ⓔ II 2 G/Ⓔ II 2 D
Type of protection	EEx de IIC T6
Certificate of Conformity	PTB 00 ATEX 1100 X
Type of protection	EEx de IIC T6
Switching capacity	40 A switch 415 V, AC3: 40 A 80 A switch 415 V, AC3: 80 A
Degree of protection	IP 66 to EN 60529

On request: individual combinations possible.

Dimensions in mm



40 A



80 A



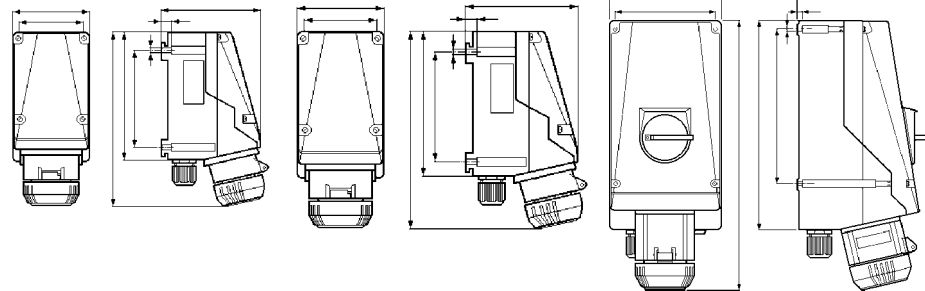
16 A**32 A****63 A**

Technical data

Ex-plugs and sockets to IEC 60309-1/2

Marking to 94/9/EC		Ⓔ II 2 G/Ⓔ II 2 D *
Type of protection		EEx de IIC T6
Certificate of Conformity		wall socket 16 A/32 A: PTB 00 ATEX 1032 X
Degree of protection		IP 66 to EN 60529
Rated voltage	3-pole	up to 250 V~
	5-pole	up to 415 V~
Rated current		16 A / 32 A / 63 A
Frequency		50/60 Hz
Switching capacity AC3	16 A:	up to 415 V~/16 A
	32 A:	up to 415 V~/32 A
	63 A:	up to 415 V~/63 A
Back-up fuse, max.		without thermal protection: 16 A/ 35 A/ 63 A with thermal protection: 35 A gL/ 50 A gL/ 80 A
Cable entries	16 A:	1 x M25, 1 x M25 plastic Ex-blanking plug or 2 x M20 x 1.5 Ex-blanking plug, metal version
	32 A:	1 x M40, 1 x M40 plastic Ex-blanking plug or 2 x M32 x 1.5 Ex-blanking plug, metal version
	63 A:	1 x M50, 1 x M50 plastic Ex-blanking plug or 2 x M40 x 1.5 Ex-blanking plug, metal version
Connection terminals	16 A:	2 x 1,5 - 4 mm ²
	32 A:	2 x 4 - 10 mm ²
	63 A:	2 x 4 - 25 mm ² , with cable lug 1 x 35 mm ²

* II 2 D applied for



Wall socket 16 A

Wall socket 32 A

Wall socket 63 A

16 A

Wall socket

32 A**63 A**

Wall socket

**Technical data****Ex-plugs and sockets to IEC 60309-1/2**

Marking to 94/9/EC	Ex II 2 G/Ex II 2 D *	
Type of protection	EEx de IIC T6	
Certificate of Conformity	PTB 00 ATEX 1032 X	
Degree of protection	IP 66 to EN 60529	
Rated voltage	3-pole	up to 250 V~
	5-pole	up to 415 V~
Rated current	16 A / 32 A / 63 A	
Frequency	50/60 Hz	
Switching capacity AC3	16 A:	up to 415 V~/16 A
	32 A:	up to 415 V~/32 A
	63 A:	up to 415 V~/63 A
Back-up fuse, max.	without thermal protection: 16 A/ 35 A/ 63 A	
	with thermal protection: 35 A gL/ 50 A gL/ 80 A	
Cable entries	16 A:	1 x M25, 1 x M25 plastic Ex-blanking plug or 2 x M20 x 1,5 Ex-blanking plug, metal version
	32 A:	1 x M40, 1 x M40 plastic Ex-blanking plug or 2 x M32 x 1,5 Ex-blanking plug, metal version
	63 A:	1 x M50, 1 x M50 plastic Ex-blanking plug or 2 x M40 x 1,5 Ex-blanking plug, metal version
Connection terminals	16 A:	2 x 1,5 - 4 mm ²
	32 A:	2 x 4 - 10 mm ²
	63 A:	2 x 4 - 25 mm ² , with cable lug 1 x 35 mm ²

* II 2 D applied for

Dimensions in mm

X.. = Fixing dimensions

