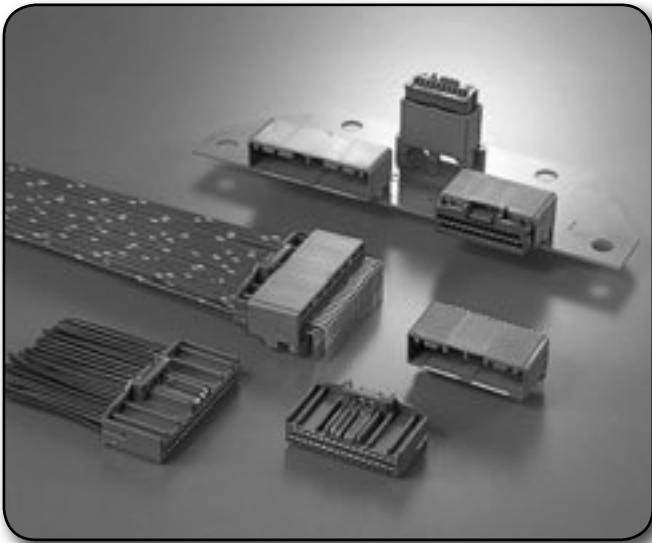


# MX34 Series

Compact Automotive Connectors for PCB-to-Cable Applications



## FEATURES

- Compact, lightweight, double row PCB-to-cable connector with 2.2 mm horizontal pitch and 3 mm diagonal pitch.
- Up to 40 poles reduces the mating and unmating force to 80N or less.
- Socket contact with box-type pin header is durable to external force; contact part is highly resistant to twisting and equipped with a proven double leaf spring.
- Adoption of a preset-type retainer facilitates easy wire harness operation. If retainer is not completely inserted in housing, the connector is not engaged, and incomplete contact insertion is detected.
- Lock connector spring is equipped with a bridge protecting the contacts from external load.

The MX34 Series connectors are compact, non-waterproof connectors with a double row of contacts, and are developed for automotive use.

The up to 40 poles reduces mating and unmating force to 80N or less and improves workability. Furthermore, automotive connector requirements such as the preset type of double locking mechanism and box type of pin header are satisfied.

## GENERAL SPECIFICATIONS

No. of contacts	12, 16, 20, 24, 28, 32, 36, 40 pos.
Contact resistance	5m ohm max. (initial)
Dielectric withstanding voltage	AC 1000V (per minute)
Operating temperature	-40°C to +85°C
Insulation resistance	100M ohm min

## Applicable Wire

Part Number	Applicable Wire	SJ Drawing
M34S75C4F2	"AVSS0.5mm2, CHFUS0.5mm2~0.75mm2"	SJ038528
M34S75C4F3	CAN_SD_0.35mm2(note1)	SJ038747
M34S75C4F4	AVSS0.85mm2(note2)	SJ038893

## MATERIALS AND FINISHES

Components	Materials/Finishes
<b>Socket Connector</b>	
Socket housing	66NY+PPE(ALLOY)
Retainer	66NY+PPE(ALLOY)
<b>Pin Connector</b>	
Pin insulator	SPS GF 30
Pin contact	Brass/Sn plating
Pin contact2	Brass/Sn plating
<b>Socket Contact</b>	
Socket contact	Highly conductive material/Sn plating

• Please consult JAE for verification of product availability. Dimensions and specifications subject to change without notice.

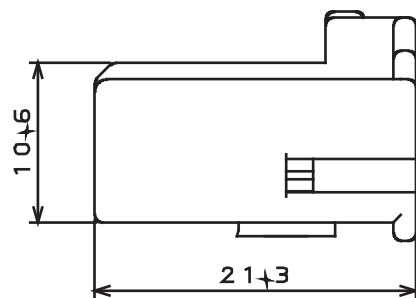
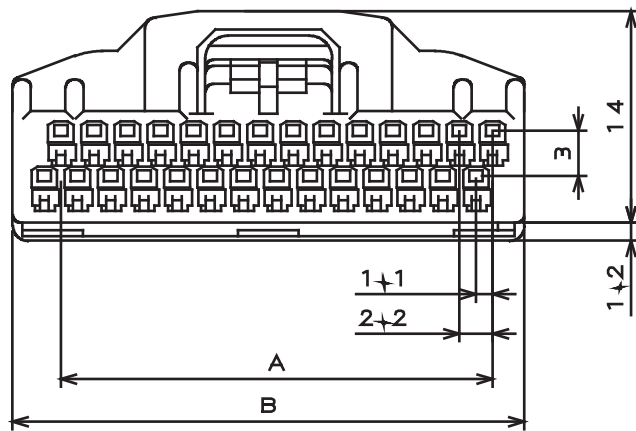
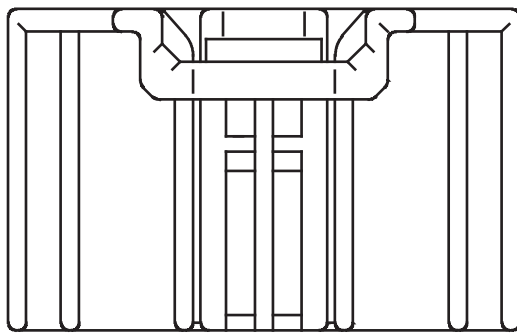
# MX34 Series

Compact Automotive Connectors for PCB-to-Cable Applications

## Crimp tool

Part Number	Hand Crimp Tool	Semi Automatic Applicator	Automatic Applicator
M34S75C4F1	CT150-2-MX34	350-MX34B-2	350-MX34B-3B
M34S75C4F2	CT150-1-MX34		
M34S75C4F3, 4	—	350-MX34C-2	350-MX34C-3B

## Socket housing



No. of pos.	Part Number	SJ Drawing	Diameter(A)	Diameter(B)
12	MX34012SF1	SJ100717	11.0	16.3
16	MX34016SF1	SJ038754	15.4	20.7
20	MX34020SF1	SJ038752	19.8	25.1
24	MX34024SF1	SJ100271	24.2	29.5
28	MX34028SF1	SJ038623	28.6	33.9
32	MX34032SF1	SJ038756	33.0	38.3
36	MX34036SF1	SJ100270	37.4	42.7
40	MX34040SF1	SJ038526	41.8	47.1

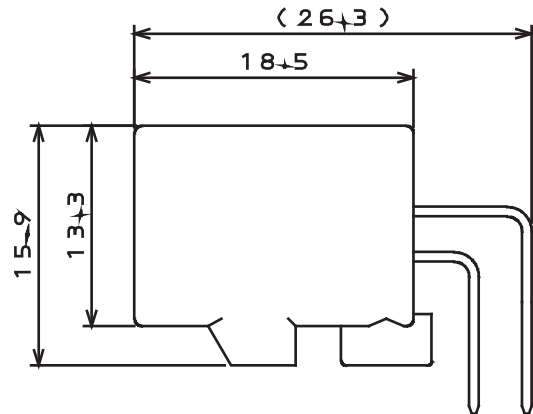
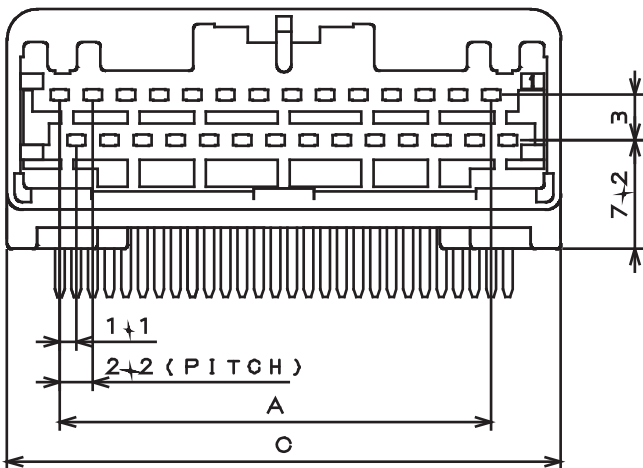
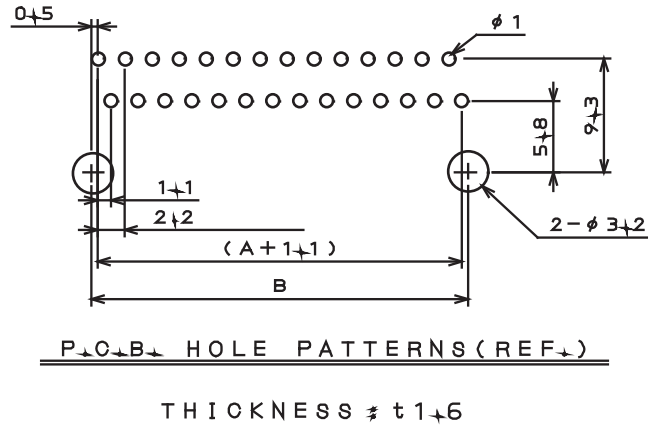
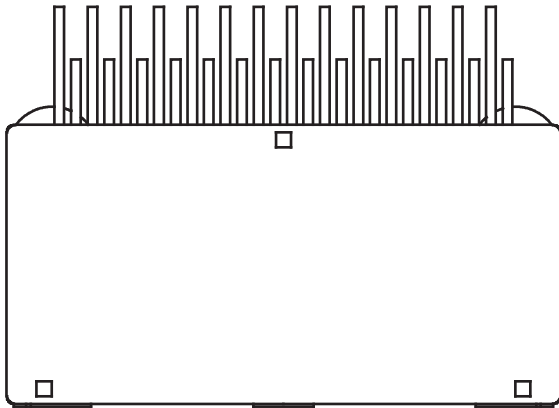
• Please consult JAE for verification of product availability.  
Dimensions in mm.

# MX34 Series

Compact Automotive Connectors for PCB-to-Cable Applications

## Angle Pin Header

BODY CHASSIS SYSTEMS



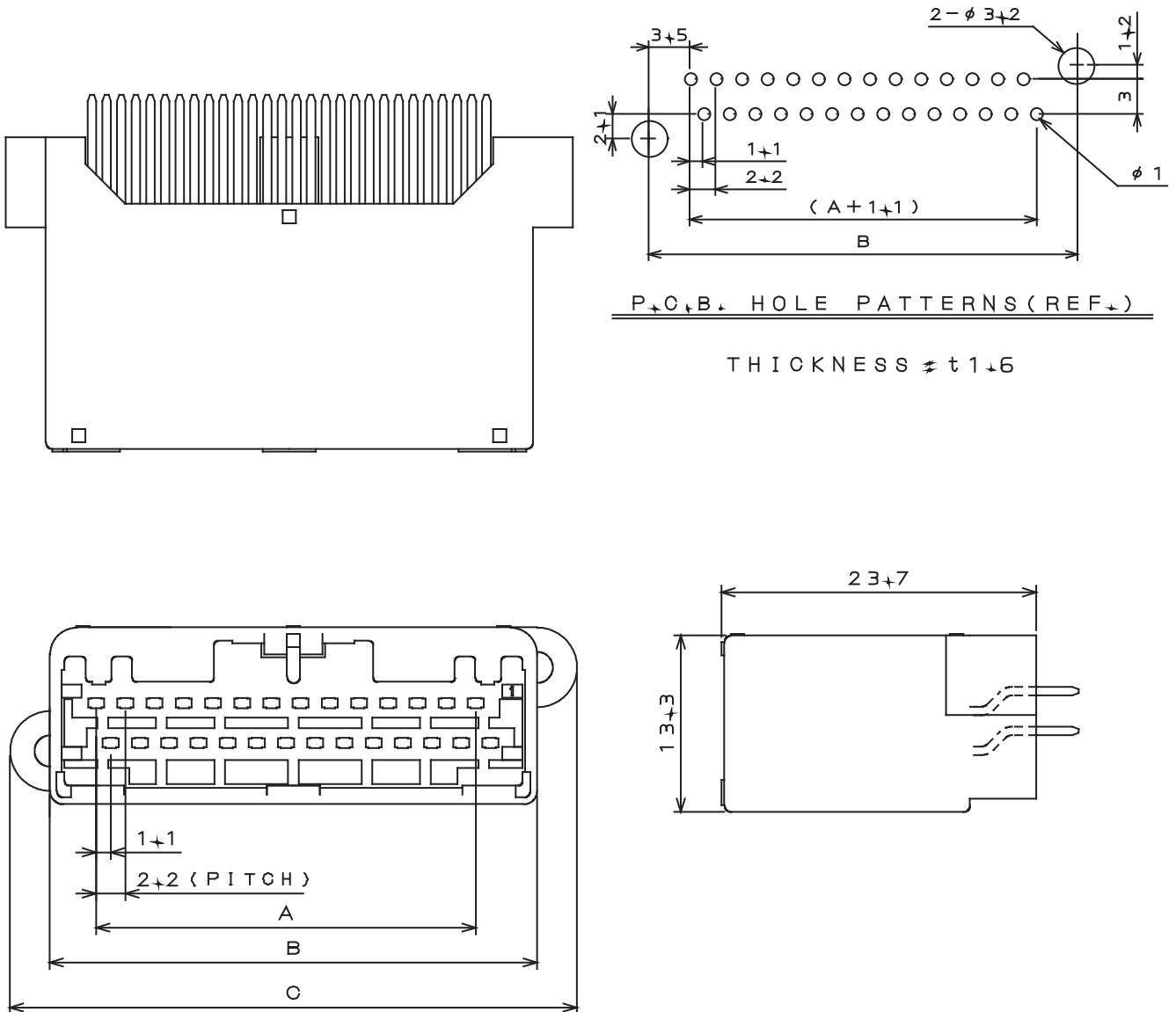
No. of pos.	Part Number	SJ Drawing	Diameter(A)	Diameter(B)	Diameter(C)
12	MX34012NF1	SJ100715	11.0	13.1	19.1
16	MX34016NF1	SJ038753	15.4	17.5	23.5
20	MX34020NF1	SJ038751	19.8	21.9	27.9
24	MX34024NF1	SJ100269	24.2	26.3	32.3
28	MX34028NF2	SJ106304	28.6	30.7	36.7
32	MX34032NF2	SJ106305	33.0	35.1	41.1
36	MX34036NF2	SJ106307	37.4	39.5	45.5
40	MX34040NF2	SJ106309	41.8	43.9	49.9

• Please consult JAE for verification of product availability.  
Dimensions and specifications subject to change without notice.

# MX34 Series

Compact Automotive Connectors for PCB-to-Cable Applications

## Straight Pin Header



BODY CHASSIS SYSTEMS

No. of pos.	Part Number	SJ Drawing	Diameter(A)	Diameter(B)	Diameter(C)
12	MX34012UF1	SJ100716	11.0	19.1	25.1
16	MX34016UF1	SJ038766	15.4	23.5	29.5
20	MX34020UF1	SJ038765	19.8	27.9	33.9
24	MX34024UF1	SJ100221	24.2	32.3	38.3
28	MX34028UF2	SJ106312	28.6	36.7	42.7
32	MX34032UF2	SJ106313	33.0	41.1	47.1
36	MX34036UF2	SJ106314	37.4	45.5	51.5
40	MX34040UF2	SJ106315	41.8	49.9	55.9

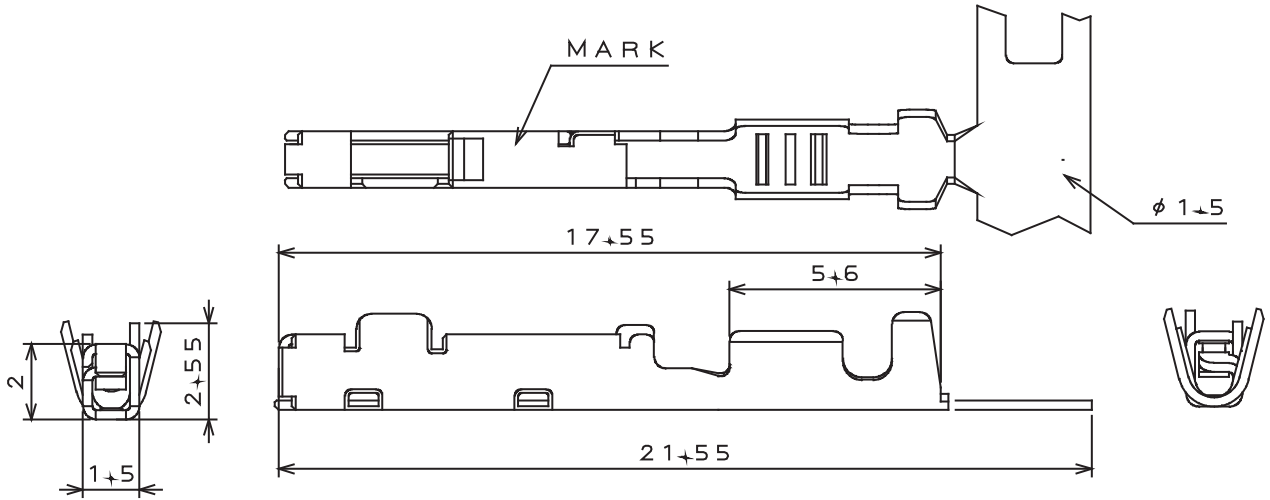
• Please consult JAE for verification of product availability.  
Dimensions in mm.

# MX34 Series

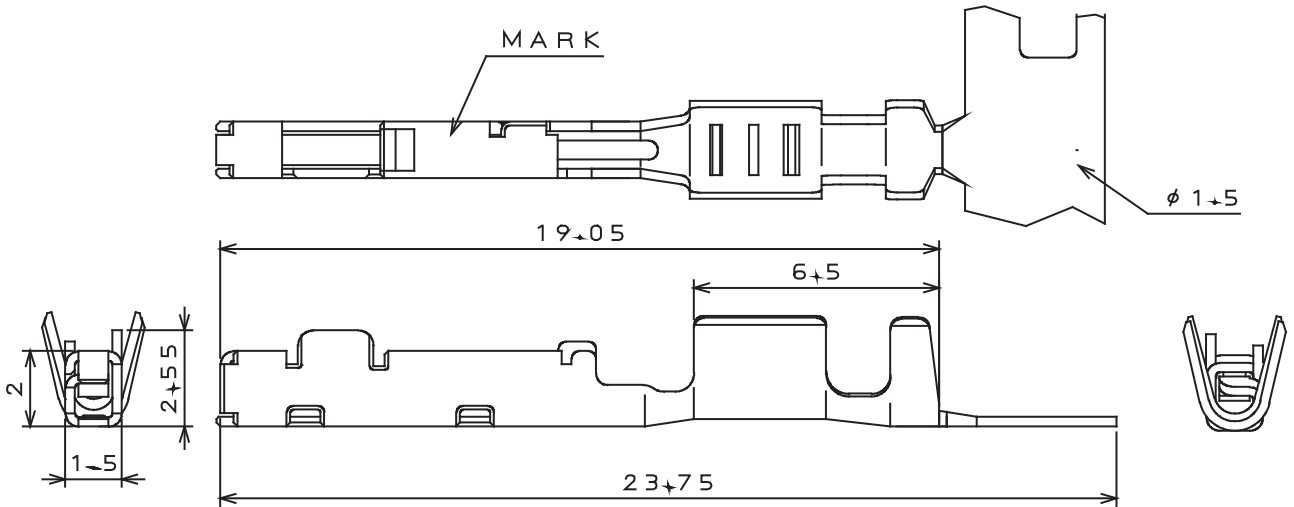
Compact Automotive Connectors for PCB-to-Cable Applications

## Socket Contact

1) M34S75C4F1, F2



2) M34S75C4F3, F4



## Others

Specification	JACS-1754
Handling Instructions	JACS-1754

• Please consult JAE for verification of product availability.  
Dimensions and specifications subject to change without notice.