

MPU coolers

# SAN ACE MC

Intel® Pentium®4 Processor (Socket 478) compatible

**General specifications**

- Life expectancy ..... 40,000 hours, indoor environment (survival rate: 90% at 60°C, rated voltage, and continuously run in a free air state)
- Motor protection system ..... Current cut system (with reverse-connection protection)
- Dielectric strength ..... 50/60 Hz, 500 VAC, 1 minute  
(between lead conductor and frame)
- Noise measurement method ..... measurements at 1m from fan suction side
- Operating thermally range ..... 0°C to +60°C (non-condensing)
- Material ..... Frame, impeller : resin mold  
Heat sink : aluminium
- Fan power lead ..... ⊕yellow (connector No. 2 side)  
⊖black (connector No.1 side)  
Sensor green light (connector No. 3 side)
- Connector ..... Molex 22-01-3037 : P/N2695-03RP
- Contact ..... Molex P/N5159PBT or 2759T-compatible

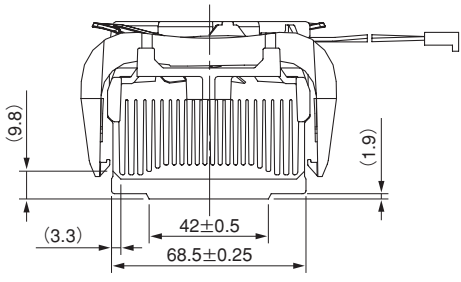
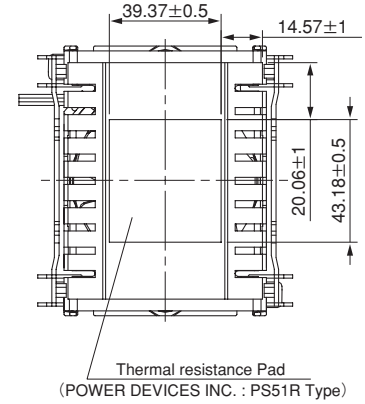
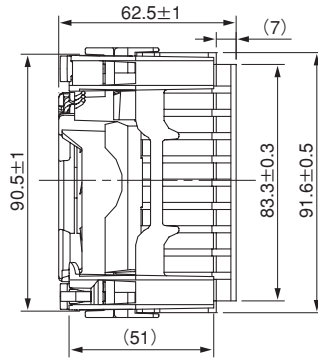
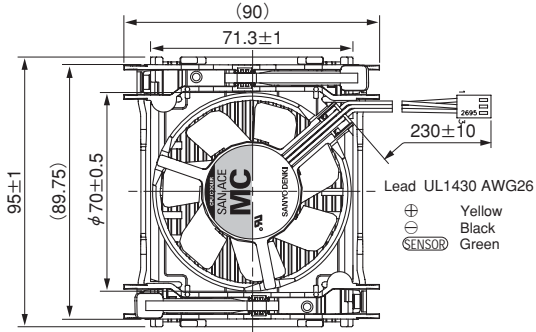


**Specifications**

Model No.	Rated voltage (V)	Operating voltage range (V)	Rated current (A)	Rated rotating speed (min <sup>-1</sup> )	θ <sub>j-a</sub> Thermal resistance (K/W)	Noise (dB[A])	Mass (g)
109X9812T0H016	12	9~13.8	0.21	3900	0.42	39	390
				2600	0.49	26	
109X9812H0016		7~13.8		3900	0.42	39	

MPU Coolers

Dimensions (unit : mm)



MPU Coolers

Socket478

# SANYO DENKI

1-15-1, Kita-otsuka, Toshima-ku, Tokyo 170-8451, Japan. PHONE : +81 3 3917 5151  
Home Page: <http://www.sanyodenki.co.jp>

Rev.B