



ALL RIGHTS RESERVED. NO PORTION OF THIS PUBLICATION, WHETHER IN WHOLE OR IN PART CAN BE REPRODUCED WITHOUT THE EXPRESS WRITTEN CONSENT OF SPC TECHNOLOGY.

SPC-F005.DWG

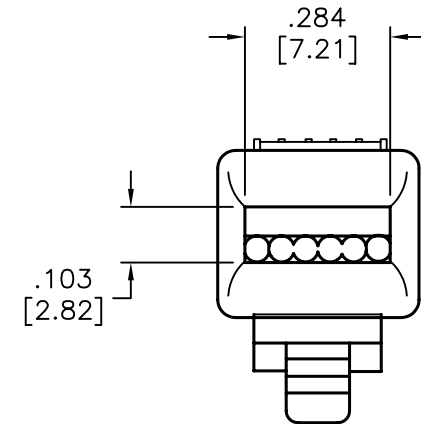
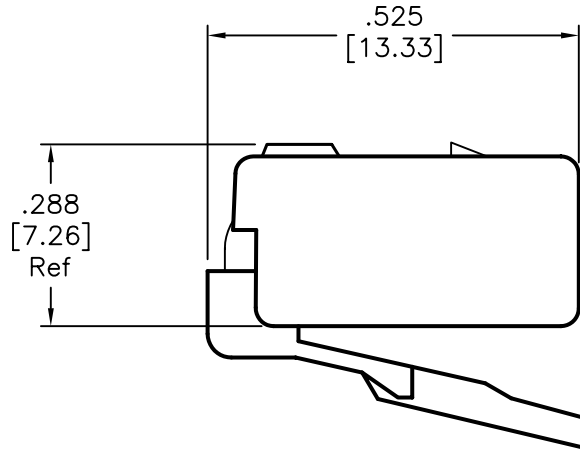
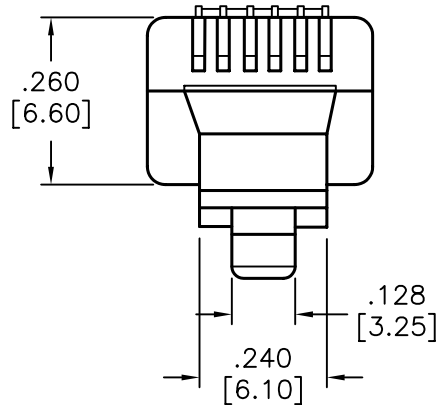
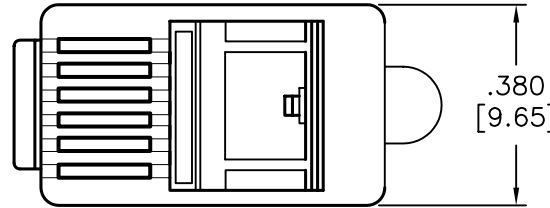
REVISIONS

DOC. NO. SPC-F005 \* Effective: 7/8/02 \* DCP No: 1398

DCP #	REV	DESCRIPTION	DRAWN	DATE	CHECKD	DATE	APPRVD	DATE
830	A	RELEASED	JWM	11/11/02	HO	11/11/02	DJC	11/11/02
1579	B	RoHS added	DCM	12/10/06	JWM	04/27/06	JWM	04/27/06

SPECIFICATIONS

- Contact Material: Phosphor Bronze - .012 Thk
- Contact Plating: 50 micro-inch selective gold plate in contact area over 100 micro-inch (min) nickel plate.
- Plug Material: Polycarbonate
- Plug Tolerances & Dimensions: Complies with FCC requirements
- UL Flammability Rating: UL94V-0 File # E188111
- Operating Temperature: -40°C to 70°C
- Insertion/Extraction Life: 1000 Cycles
- Contact Resistance: 10 milliohms max.
- Current/Voltage: 30 VAC/42 VDC at 1.5 Amps
- For Conductors with maximum O.D. of .038



DISCLAIMER:  
ALL STATEMENTS AND TECHNICAL INFORMATION CONTAINED HEREIN ARE BASED UPON INFORMATION AND/OR TESTS WE BELIEVE TO BE ACCURATE AND RELIABLE. SINCE CONDITIONS OF USE ARE BEYOND OUR CONTROL, THE USER SHALL DETERMINE THE SUITABILITY OF THE PRODUCT FOR THE INTENDED USE AND ASSUME ALL RISK AND LIABILITY WHATSOEVER IN CONNECTION THEREWITH.

TOLERANCES:  
UNLESS OTHERWISE SPECIFIED, DIMENSIONS ARE FOR REFERENCE PURPOSES ONLY.

DRAWN BY:	DATE:
Jeff McVicker	11/11/02
CHECKED BY:	DATE:
Hisham Odish	11/11/02
APPROVED BY:	DATE:
Daniel Carey	11/11/02

DRAWING TITLE: <b>Modular Plug, 6 Conductor, Solid Cable</b>			
SIZE	DWG. NO.	ELECTRONIC FILE	REV
A	8588-0188	52N9478.dwg	B
SCALE: NTS		U.O.M.: INCHES [mm]	SHEET: 1 OF 1