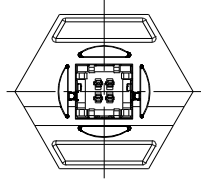
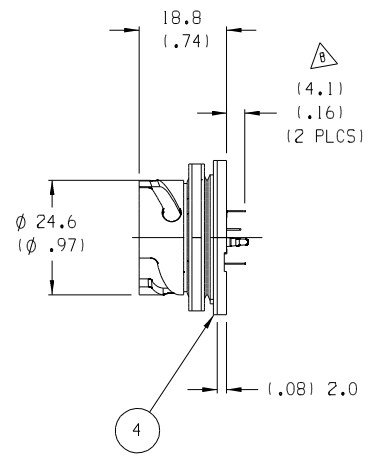
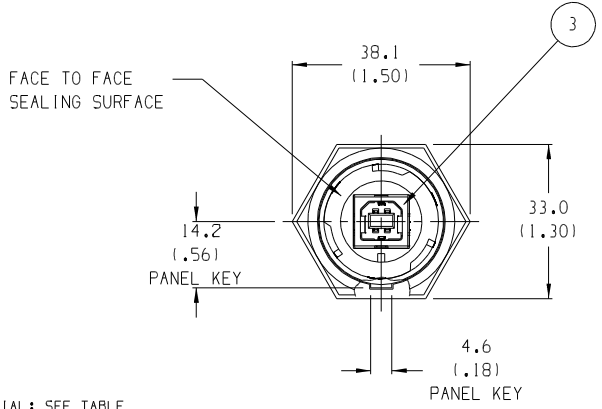


RECOMMENDED PTH PATTERN SCALE 2:1



- NOTES:
1. MATERIAL: SEE TABLE
 2. FINISHES: SEE TABLE
 3. PRODUCT SPECIFICATION: SEE SPECIFICATIONS
 4. PACKAGING: AS REQUIRED
 5. MATES WITH I.E. INDUSTRY STANDARD
 6. RECOMMENDED PCB THICKNESS TO BE 1.60 (.063).
 7. DRAWING FORMERLY SK0895.

ITEM	QTY.	DESCRIPTION	MATERIAL NO.	FINISH
4	1	PANEL GASKET	NEOPRENE	BLACK
3	1	USB TYPE-B SHIELDED I/O RECEPTACLE	POLYESTER	BLACK
2	1	LOCK NUT	POLYESTER	BLACK
1	1	RECEPTACLE HOUSING	POLYESTER	BLACK

11-09-04
EC NO. RELEASED
DRAWN: S.GILBERT
CH'K1:
APPR:

REV	DESCRIPTION
B	

GENERAL TOLERANCES: (UNLESS SPECIFIED)	
PLACES	TOLERANCE
4 PLACES	±.0015
3 PLACES	±.005
2 PLACES	±.13
1 PLACE	±.3
ANGULAR: ±2°	
DRAFT WHERE APPLICABLE MUST REMAIN WITHIN DIMENSIONS	

SCALE: FULL	DESIGN UNITS: <input type="checkbox"/> mm <input checked="" type="checkbox"/> INCH
DRAWN BY & DATE: S.GILBERT 06-25-04	
CHECKED BY & DATE:	
APPROVED BY & DATE:	
CAD FILENAME: SD-84730-001	MATERIAL NO.: 847300001
DRAWING NO.: SD-84730-001	

PROJECT NO. 04-69 | 1 | -

DIMENSIONS: mm INCH mm ONLY | SHT | REV

REVISE ON CAD ONLY

TITLE: RECEPTACLE, PANEL/PCB MTG, USB TYPE-B, CIC, INDUSTRIAL ETHERNET

MOLEX MOLEX INCORPORATED

CAD FILENAME: SD-84730-001 | MATERIAL NO.: 847300001 | DRAWING NO.: SD-84730-001 | SHEET NO.: 1 OF 1

THIS DRAWING CONTAINS INFORMATION THAT IS PROPRIETARY TO MOLEX INCORPORATED AND SHOULD NOT BE USED WITHOUT WRITTEN PERMISSION.

SIZE: B